


TREMONTON CITY CORPORATION

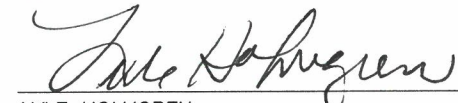
GENERAL PUBLIC WORKS CONSTRUCTION STANDARDS AND SPECIFICATIONS


STANDARD DRAWINGS APPENDIX "A"

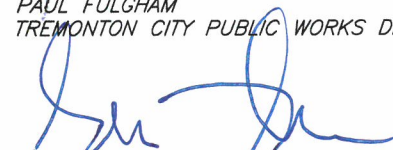
SUBMITTED & RECOMMENDED

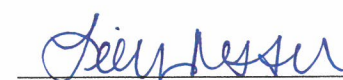
 1/3/2023
CHRIS L. BREINHOLT, P.E.
TREMONTON CITY ENGINEER

APPROVAL

 1/3/23
LYLE HOLMGREN
TREMONTON CITY MAYOR

 1-3-2023
PAUL FULGHAM
TREMONTON CITY PUBLIC WORKS DIRECTOR

 1-3-2023
SHAWN WARNKE
TREMONTON CITY MANAGER

 1/3/2023
ATTEST, CITY RECORDER

**JONES & ASSOCIATES**
CONSULTING ENGINEERS



JANUARY 3, 2023

Index of Drawings (39 Sheets)

ROAD IMPROVEMENT STANDARDS

- R1.....ROADWAY SURFACE IMPROVEMENTS
- R2.....STANDARD RESIDENTIAL & LOW IMPACT ROAD SECTIONS
- R3.....COLLECTOR ROADWAY SECTIONS
- R4.....MINOR ARTERIAL ROADWAY SECTIONS
- R5.....MAJOR ARTERIAL ROADWAY SECTIONS
- R6.....STANDARD COLLECTOR TO MAIN STREET INTERSECTION DETAIL
- R7.....STANDARD COLLECTOR TO MINOR ARTERIAL (80' R.O.W.) INTERSECTION DETAIL
- R8.....STANDARD COLLECTOR TO MINOR ARTERIAL (66' R.O.W.) INTERSECTION DETAIL
- R9.....DRIVEWAY APPROACH DETAILS
- R10....STANDARD STREET INTERSECTION DETAILS
- R11....TYPICAL ADA RAMP
- R12....CUL-DE-SAC DETAILS

CULINARY WATER SYSTEM STANDARDS

- CW1....FIRE HYDRANT AND WATER SERVICE CONNECTIONS
- CW2....TYPICAL WATER METER STATIONS
- CW3....P.R.V. STATION & AIR/VACUUM RELEASE STATION

SANITARY SEWER SYSTEM STANDARDS

- SS1....SANITARY SEWER DETAILS
- SS2....SANITARY SEWER MANHOLE DETAILS
- SS3....TYPICAL SEWER LIFT STATION
- SS4....TYPICAL SEWER LIFT STATION SITE PLAN AND CONTROL PANEL DETAILS
- SS5....SEWER FORCE MAIN DETAILS

STORM DRAIN SYSTEM STANDARDS

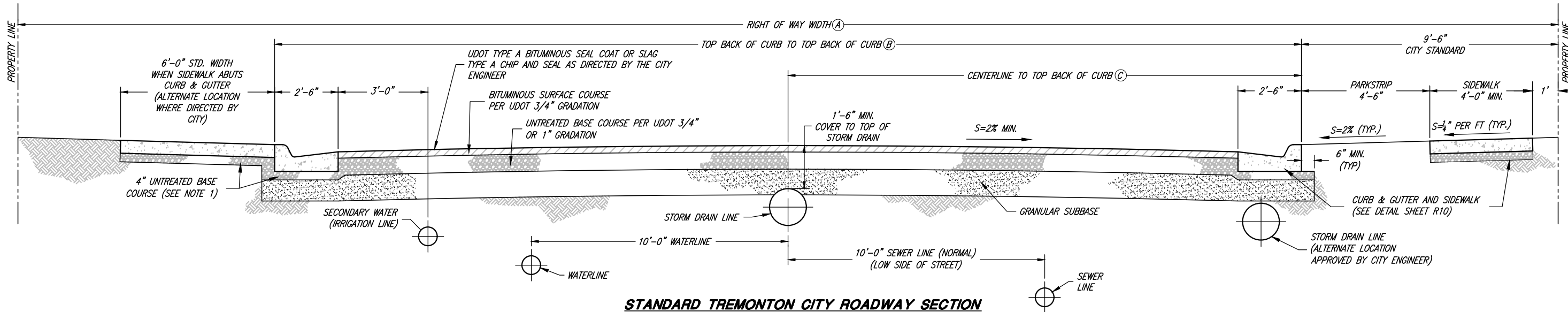
- SD1....SINGLE AND DOUBLE CATCH BASIN DETAILS
- SD2....DRAINAGE INLET BOX, GENERAL GRATE & FRAME, & IRRIGATION BOX DETAILS
- SD3....STORM DRAIN MANHOLE & SUBSURFACE DRAINAGE DETAILS

SECONDARY WATER SYSTEM STANDARDS

- SW1....SECONDARY WATERLINE AND DRIVEWAY CULVERT DETAILS
- SW2....SECONDARY WATER AIR/VAC & DRAIN DETAILS
- SW3....SECONDARY WATER BUBBLE-UP BOX FLUSHING STATION DETAILS

GENERAL CITY STANDARDS

- G1.....CHAIN LINK FENCE STANDARD DETAILS
- G2.....WOOD AND WIRE FENCING DETAILS
- G3.....MASONRY WALL DETAILS
- G4.....VINYL FENCE DETAILS
- G5.....ORNAMENTAL FENCE DETAILS
- G6.....TREE DETAILS
- G7.....SPRINKLER DETAILS
- G8.....TRAIL DETAILS
- G9.....CITY OWNED STREET LIGHT DETAILS
- G10....STANDARD FIBER OPTIC COMMUNICATION LINE DETAILS
- G11....FLAG LOT SIGN DETAILS
- G12....DUMPSTER ENCLOSURE DETAILS

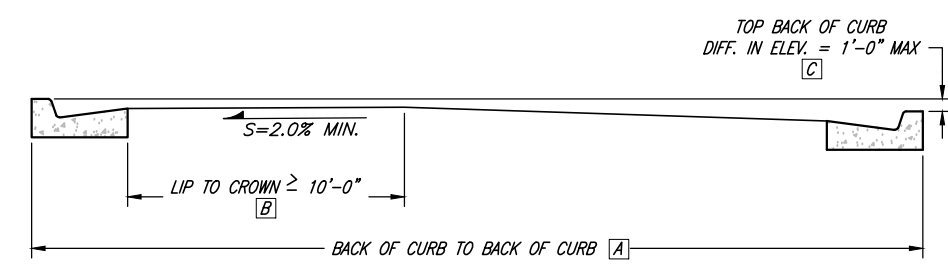


STANDARD TREMONTION CITY ROADWAY SECTION

- NOTES:
1. PROVIDE 4" THICKNESS OF 3/4" OR 1" GRAVEL BASE COURSE UNDER SIDEWALK, DRIVEWAY APPROACHES AND CURB & GUTTER WHEN SUBGRADE IS CLAY OR AS DIRECTED BY THE CITY ENGINEER.
 2. THESE PAVEMENT THICKNESS SHALL BE CONSIDERED AS CITY STANDARDS AND MAY BE INCREASED BY THE CITY ENGINEER WHEN A GREATER DEPTH IS NECESSARY TO PROVIDE SUFFICIENT STABILITY.
- DESIGNER AND/OR DEVELOPER MAY SUBMIT AN ALTERNATIVE PAVEMENT DESIGN BASED ON A DETAILED SOILS ANALYSIS FOR APPROVAL BY THE CITY ENGINEER WHICH MAY MODIFY PAVEMENT THICKNESS, BUT IN NO CASE SHALL THE BITUMINOUS SURFACE COURSE BE LESS THAN 3" AND GRAVEL BASE COURSE LESS THAN 4" THICK.

STREET DESIGNATION	R.O.W. WIDTH (A)	T.B.C. TO T.B.C. (B)	CL TO T.B.C. (C)	A.C.	BASE COURSE	GRANULAR BORROW	MAX. GRADE	MAX. SUSTAINED GRADE
LOW IMPACT	60'	SEE SHEET R2	SEE SHEET R2	3"	8"	8"	12%	9%
STANDARD RESIDENTIAL	60'	SEE SHEET R2	SEE SHEET R2	3"	8"	8"	12%	9%
COLLECTOR	66'	SEE SHEET R3	SEE SHEET R3	3"	8"	12"	10%	7%
MINOR ARTERIAL	80'	SEE SHEET R4	SEE SHEET R4	3 1/2"	10"	15"	10%	7%
MAJOR ARTERIAL	100'	SEE SHEET R5	SEE SHEET R5	4"	12"	18"	10%	7%

- NOTES:
- A1. MAXIMUM DIFFERENCE IN ELEVATION BETWEEN CURBS ON OPPOSITE SIDES OF THE STREET SHALL NOT EXCEED THOSE SHOWN IN THE CROWN LOCATION TABLE BELOW.
 - B1. THE LOCATION OF SIDEWALK AND CURB AND GUTTER MAY VARY ON INDIVIDUAL ARTERIAL STREETS PER DIRECTION OF THE CITY ENGINEER.
 - C1. STREET INTERSECTIONS SHALL HAVE A VERTICAL ALIGNMENT SUCH THAT THE GRADE SHALL NOT EXCEED THREE (3) PERCENT FOR A MINIMUM DISTANCE OF FIFTY (50) FEET EACH WAY FROM THE CENTERLINE OF THE INTERSECTION.
 - D1. MAXIMUM GRADES SHALL BE APPROVED ONLY WHEN ACCOMPANIED BY CHANGES TO A LESSER GRADE, AND WHERE LENGTH OF THAT PORTION OF THAT ROAD AT MAXIMUM GRADE IS LESS THAN SIX HUNDRED (600) FEET.



(A)	(B)	(C)
41'-0"	20'-0"	0'-0"
41'-0"	12'-0"	0'-6"
41'-0"	10'-0"	1'-0"
47'-0"	23'-6"	0'-0"
47'-0"	10'-6"	0'-6"
47'-0"	10'-6"	1'-0"
CUL-DE-SAC		1'-0" MAX.

NOTE:
ALL OTHER PROPOSED STREET CROSS SECTIONS SHALL BE AS APPROVED BY THE CITY ENGINEER.

CROWN LOCATION FOR VARIOUS CROSS SLOPES



1	FEB.10	BEB	ADDED MINOR STREET SECTION
2	APR.16	SLS	REMOVED MINOR STREET SECTION
3	4/25/22	BEB	REMOVED (50') MINOR R.O.W. REFERENCE FROM STREETS TABLE
REV.	DATE	APPR.	

SCALE:
N. T.S.

DESIGNED BEB
DRAWN BEB
CHECKED CLB

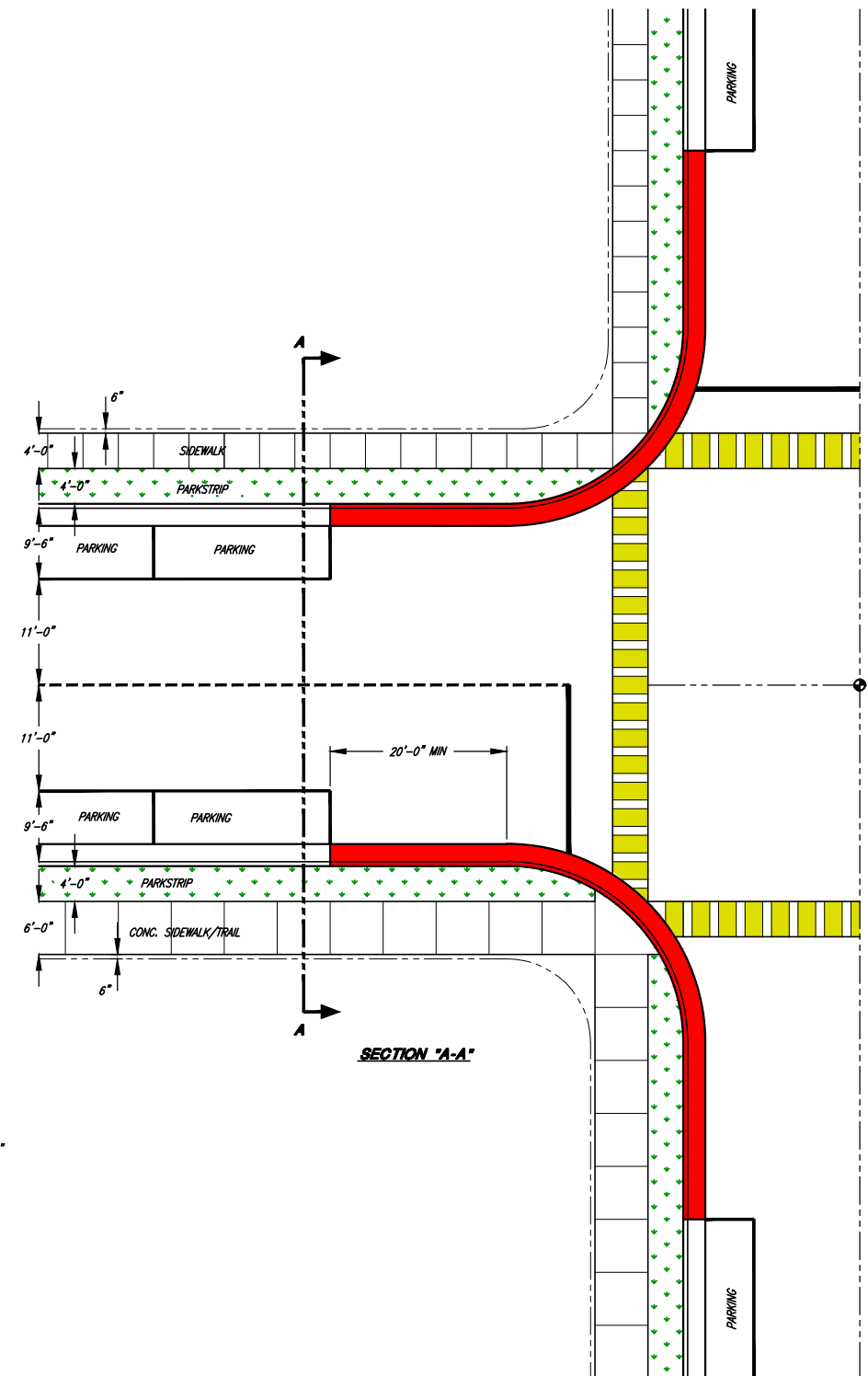
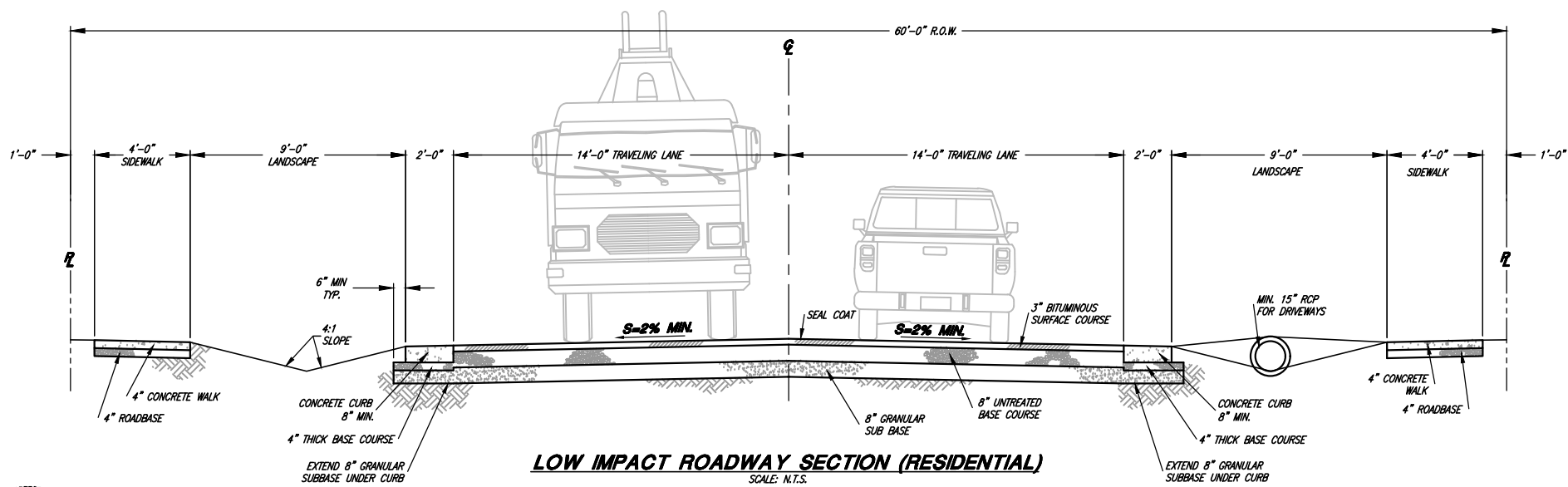
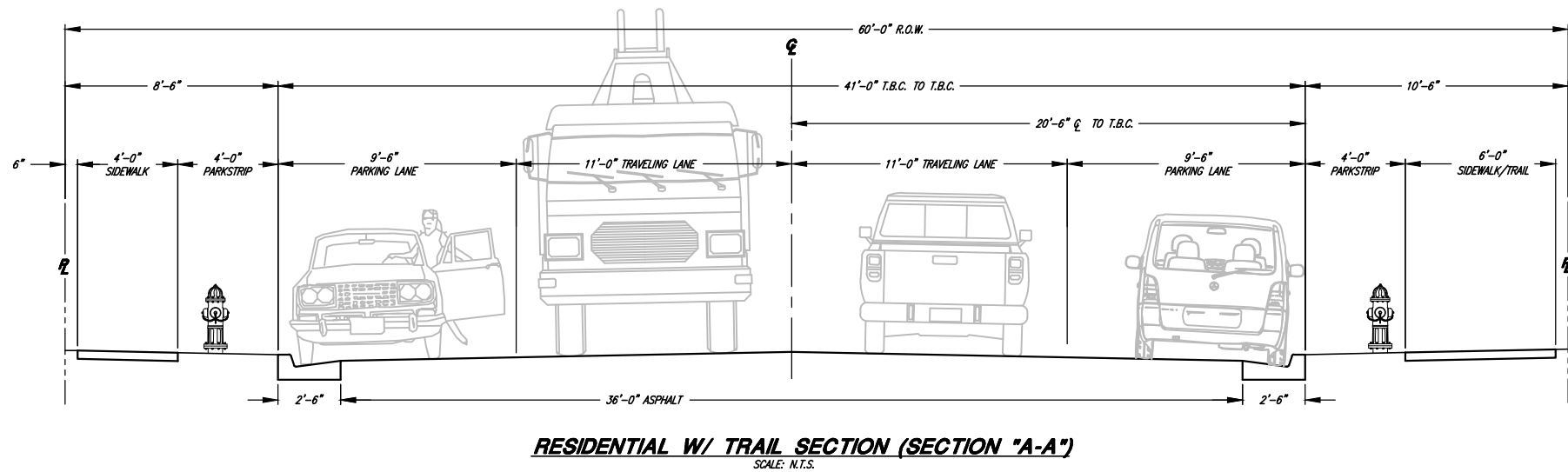
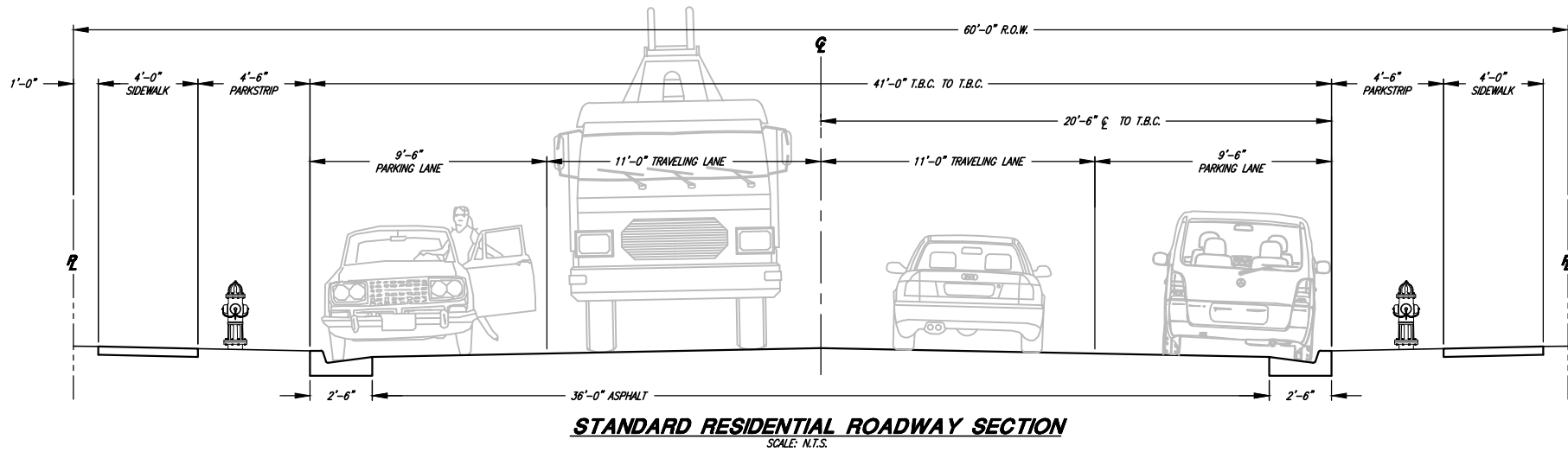
J.A. JONES & ASSOCIATES
CONSULTING ENGINEERS
6080 Fashion Point Drive
South Ogden, Utah 84403 (801) 476-9767
www.jonescivil.com

TREMONTION CITY CORPORATION
PUBLIC WORKS STANDARDS

ROADWAY SURFACE IMPROVEMENTS

SHEET:
R1
OF 39 SHEETS
0

LOCAL ROAD SECTIONS



Chris L. Brenholt
PROJECT ENGINEER
JANUARY 2023
DATE

REV.	DATE	APPR.	DESCRIPTION
1	FEB.10	BEB	ADDED LOW IMPACT & STANDARD RESIDENTIAL SECTIONS

SCALE:
N.T.S.

DESIGNED: BEB
DRAWN: BEB
CHECKED: CLB



JONES & ASSOCIATES
CONSULTING ENGINEERS
6080 Fashion Point Drive
South Ogden, Utah 84403 (801) 476-9767
www.jonescivil.com

TREMONTON CITY CORPORATION
PUBLIC WORKS STANDARDS

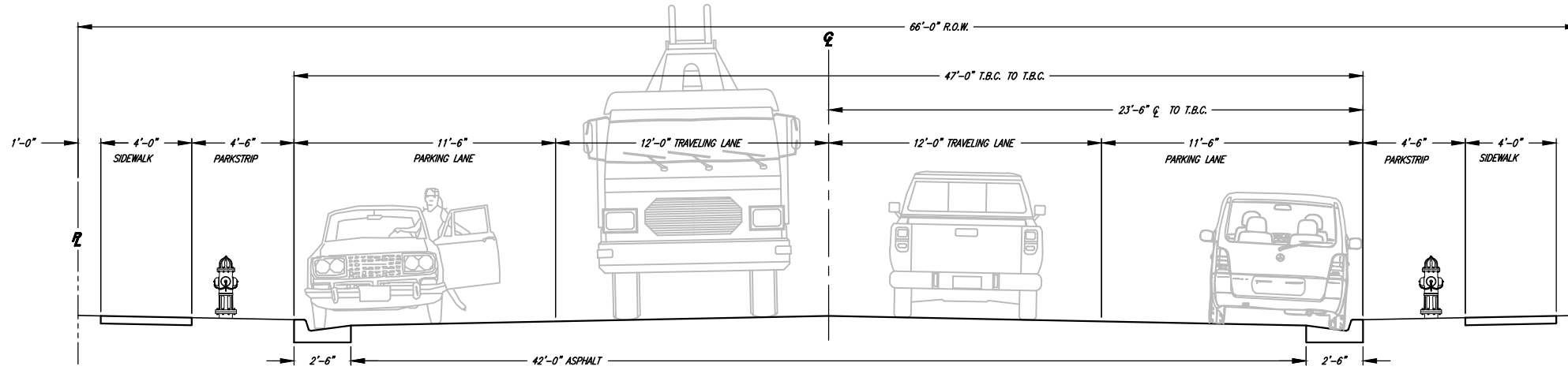
STANDARD RESIDENTIAL & LOW IMPACT ROAD SECTIONS

SHEET:

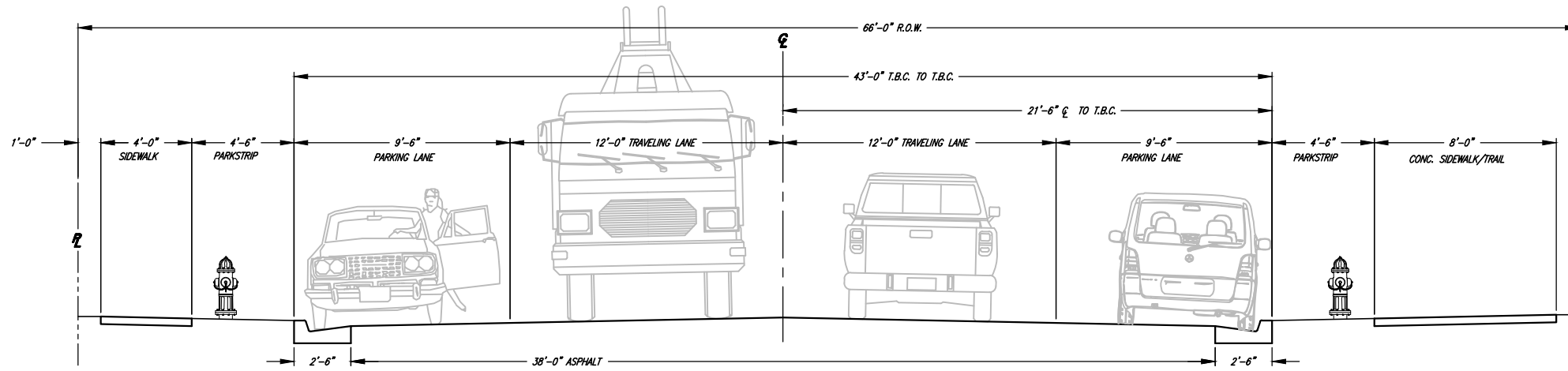
R2

OF 39 SHEETS
0

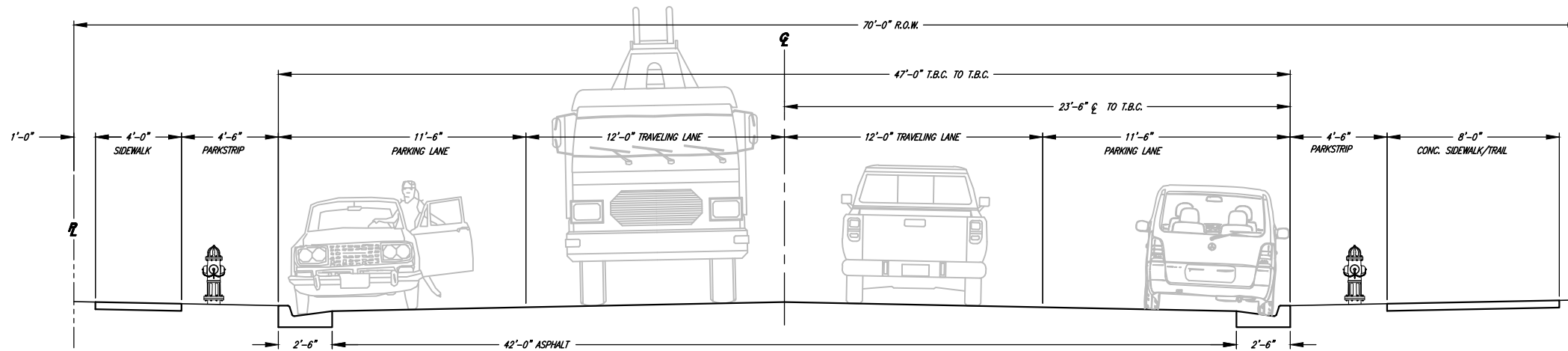
COLLECTOR ROAD SECTIONS



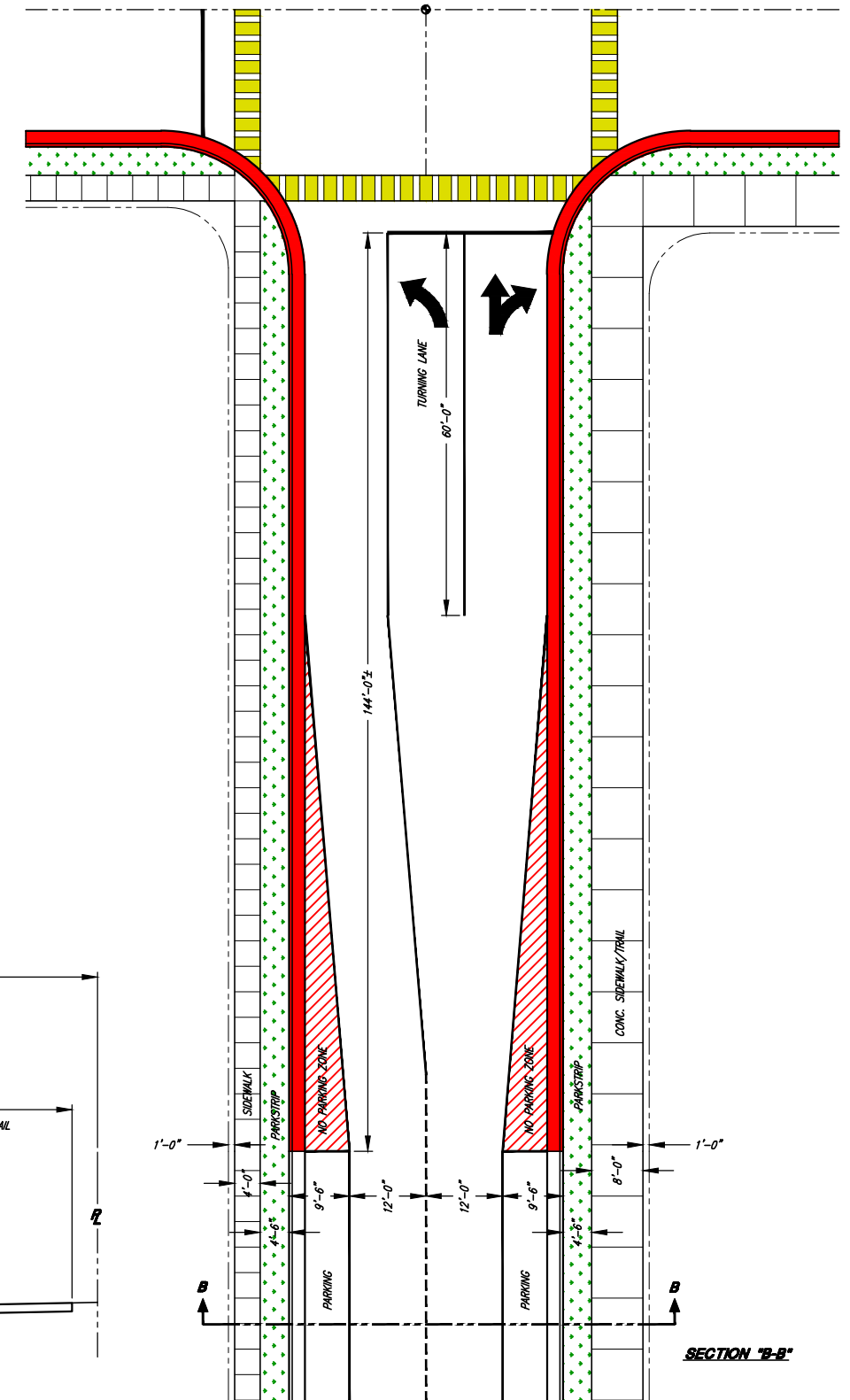
STANDARD COLLECTOR ROADWAY SECTION
 SCALE: N.T.S.



COLLECTOR W/ TRAIL SECTION & STREET PARKING
 (SECTION "B-B")
 TO BE USED OVER 70' R.O.W. SECTION
 WHERE THE 66' R.O.W. IS ALREADY DEDICATED



EXTENDED COLLECTOR R.O.W. W/ TRAIL SECTION & STREET PARKING
 EXTENDED TO A 70'-0" R.O.W.



SECTION "B-B"



Chris L. Brenholt
 PROJECT ENGINEER
 JANUARY 2023
 DATE

REV.	DATE	APPR.	DESCRIPTION
1	FEB.10	BEB	ADDED COLLECTOR ROAD SECTIONS
2	APR.16	SLS	ADD NOTES TO SECTION B-B

SCALE:
 N.T.S.

DESIGNED *BEB*
 DRAWN *BEB*
 CHECKED *CLB*

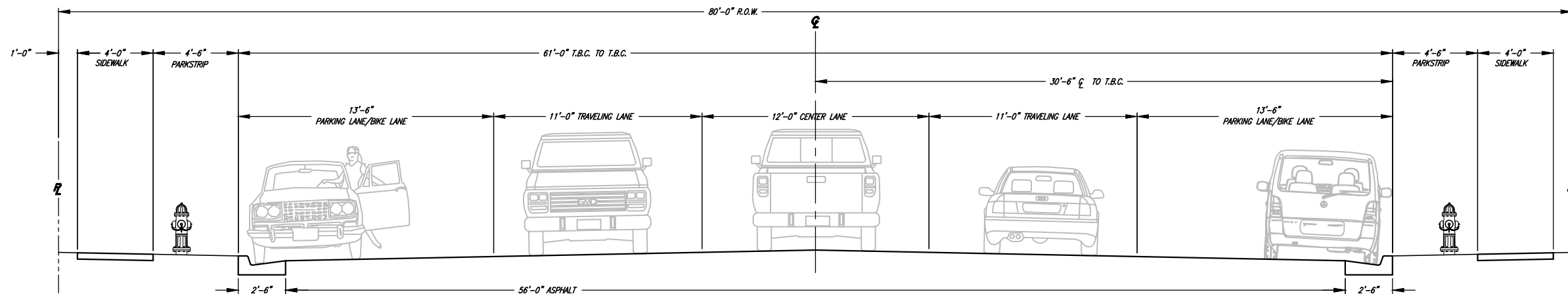


CONSULTING ENGINEERS
 6080 Fashion Point Drive
 South Ogden, Utah 84403 (801) 476-9767
 www.jonescivil.com

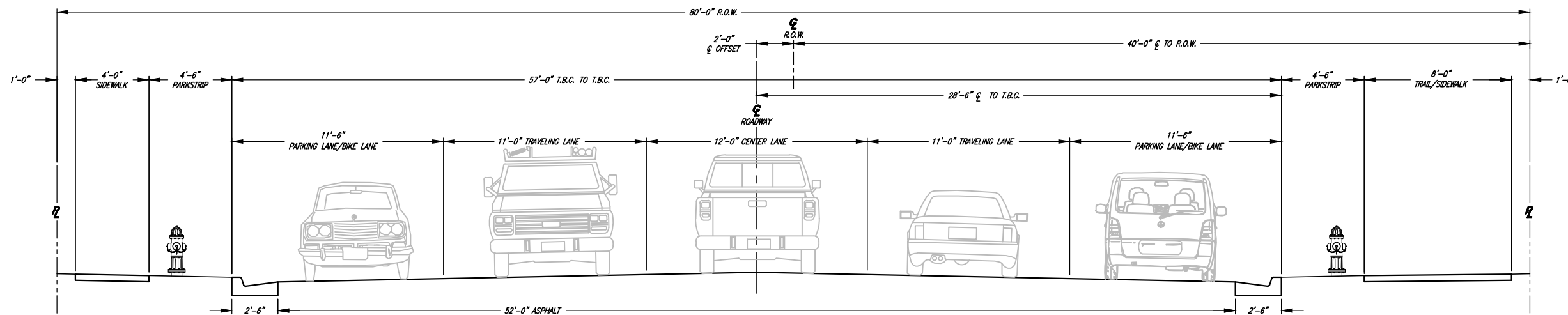
TREMONTON CITY CORPORATION
PUBLIC WORKS STANDARDS
COLLECTOR ROADWAY SECTIONS

SHEET:
R3
 OF 39 SHEETS
 0

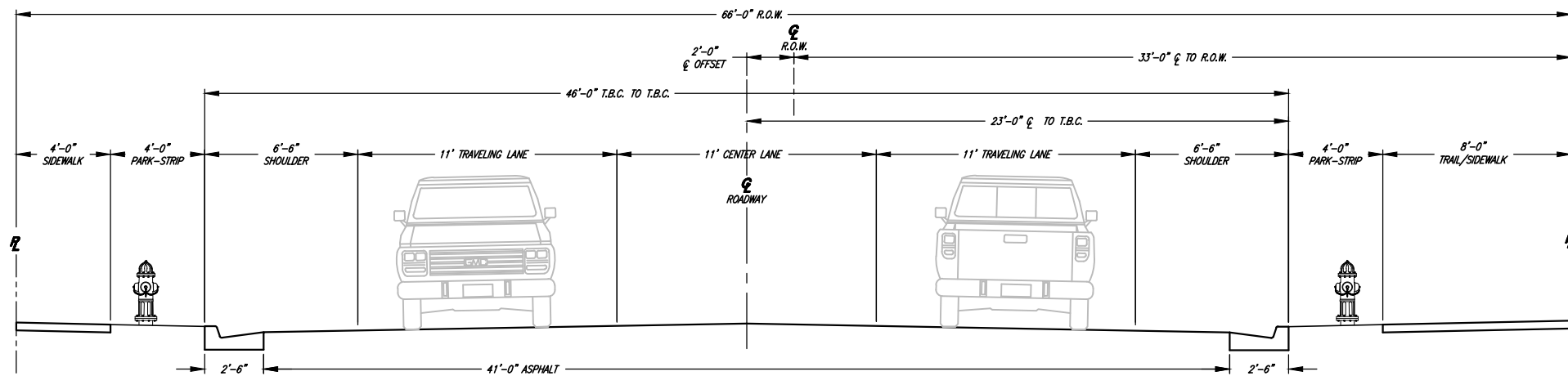
MINOR ARTERIAL ROAD SECTIONS



MINOR ARTERIAL ROADWAY SECTION 80' R.O.W.
SCALE: N.T.S.



MINOR ARTERIAL ROADWAY SECTION W/ TRAIL - 80' R.O.W.
SCALE: N.T.S.



MINOR ARTERIAL ROADWAY SECTION W/ TRAIL - 66' R.O.W.
SCALE: N.T.S.



Chris L. Remolt
PROJECT ENGINEER
JANUARY 2023
DATE

REV.	DATE	APPR.
1	FEB.10	BEB
2	APR.16	SLS

SCALE:
N.T.S.

DESIGNED BEB
DRAWN BEB
CHECKED CLB

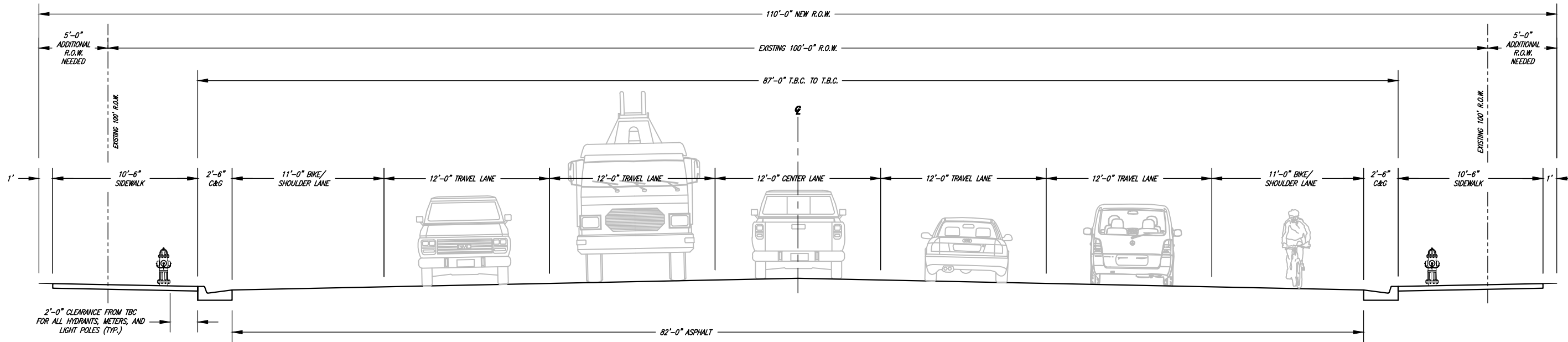
JA JONES & ASSOCIATES
CONSULTING ENGINEERS
6080 Fashion Point Drive
South Ogden, Utah 84403 (801) 476-9767
www.jonescivil.com

TREMONTON CITY CORPORATION
PUBLIC WORKS STANDARDS

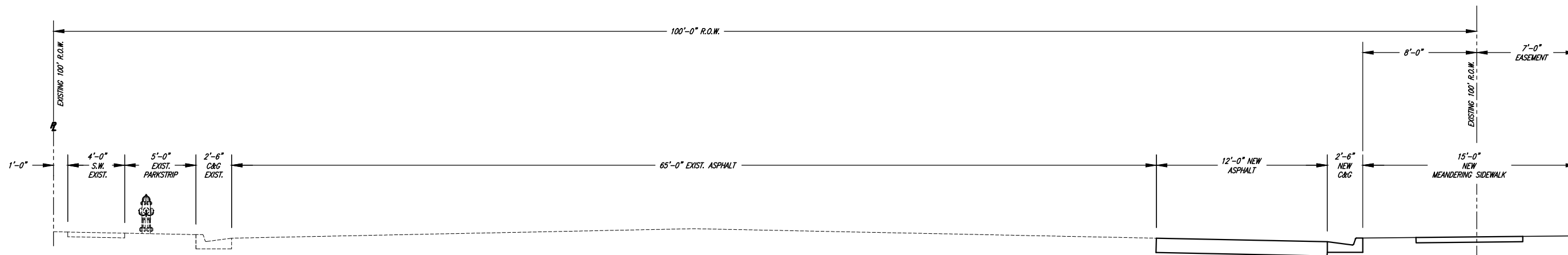
MINOR & MAJOR ARTERIAL ROADWAY SECTIONS

SHEET:
R4
OF 39 SHEETS
0

MAJOR ARTERIAL ROAD SECTIONS



MAIN STREET SECTION UDOT PREFERRED
 (ADDITIONAL RIGHT OF WAY REQUIRED)
 (FROM IOWA STREET HEADING - WEST; FROM 570 EAST HEADING EAST)



MAIN STREET SECTION - WIDENING TO NORTH
 (400 WEST TO 1000 WEST)



1	MAR. 21	CLB	UPDATED MAIN STREET UDOT PREFERRED ROADWAY SECTION

SCALE:
N.T.S.

DESIGNED BEB
 DRAWN BEB
 CHECKED CLB

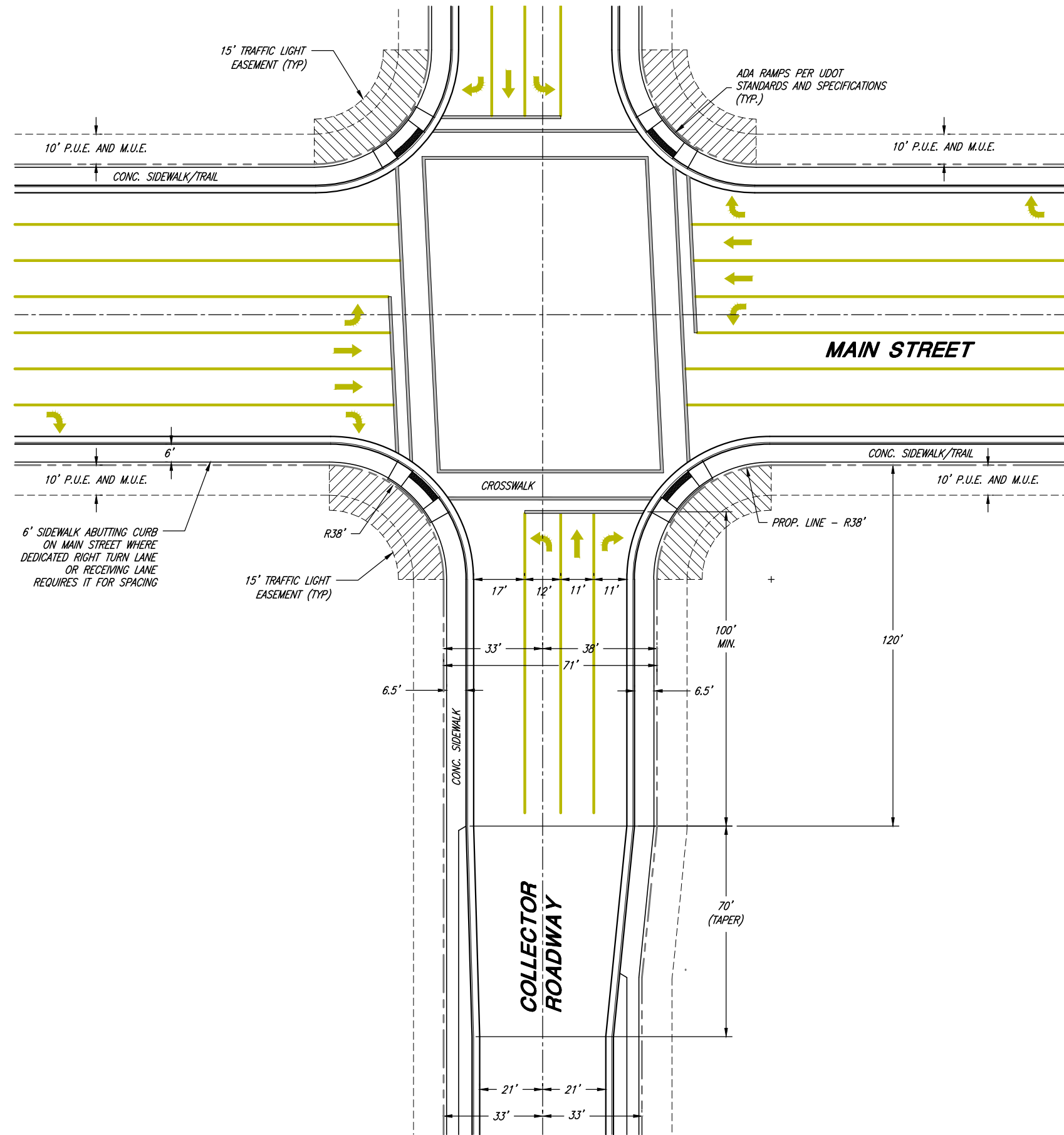


CONSULTING ENGINEERS
 6080 Fashion Point Drive
 South Ogden, Utah 84403 (801) 476-9767
www.jonescivil.com

TREMONTON CITY CORPORATION
PUBLIC WORKS STANDARDS

MAJOR ARTERIAL ROADWAY SECTIONS

SHEET:
R5
OF 39 SHEETS
0



Chris L. Brenholt
 PROJECT ENGINEER
 JANUARY 2023
 DATE

REV.	DATE	APPR.	DESCRIPTION
1	6/10/2020	CLB	MODIFIED ROW TO CENTERLINE DIMENSIONS & SIDEWALK WIDTH ON COLLECTOR ROADWAY
2	4/25/2022	BEB	UPDATED ROADWAY P.U.E. (EASEMENTS) AND RELATED NOTES

SCALE:
 N.T.S.

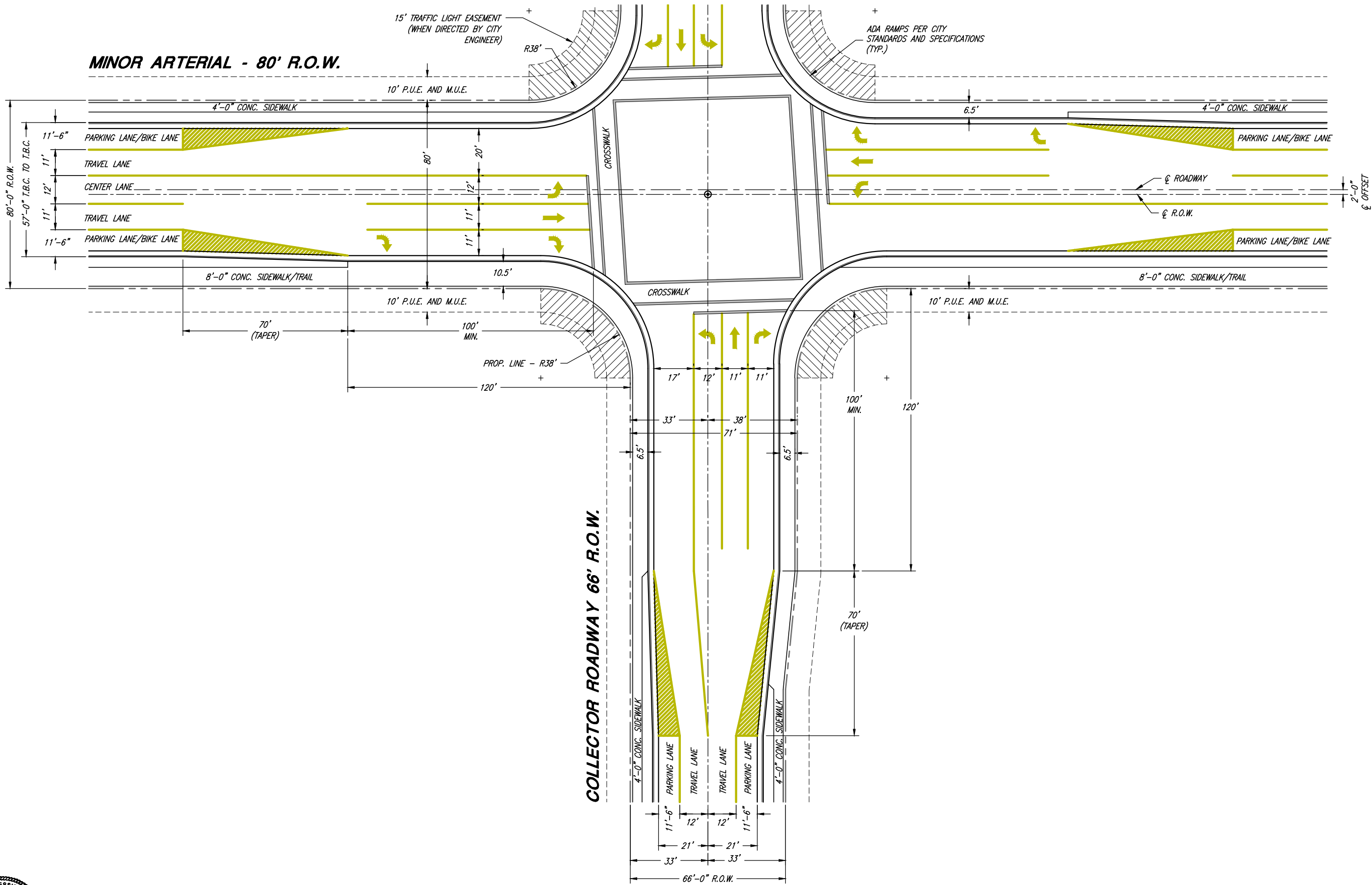
DESIGNED BEB
 DRAWN BEB
 CHECKED CLB

JA
JONES & ASSOCIATES
 CONSULTING ENGINEERS
 6080 Fashion Point Drive
 South Ogden, Utah 84403 (801) 476-9767
 www.jonescivil.com

TREMONTON CITY CORPORATION
PUBLIC WORKS STANDARDS
STANDARD COLLECTOR TO MAIN STREET
INTERSECTION DETAIL

SHEET:
R6
 OF 39 SHEETS
 0

MINOR ARTERIAL - 80' R.O.W.



Chris L. Brenholt
PROJECT ENGINEER
JANUARY 2023
DATE

REV.	DATE	APPR.	DESCRIPTION
1	10/12/2021	CLB	ADDED NEW DETAIL SHEET TO CITY STANDARDS
2	4/25/2022	BEB	UPDATED ROADWAY CENTERLINE, P.U.E. (EASEMENTS) AND RELATED NOTES

SCALE:
N.T.S.

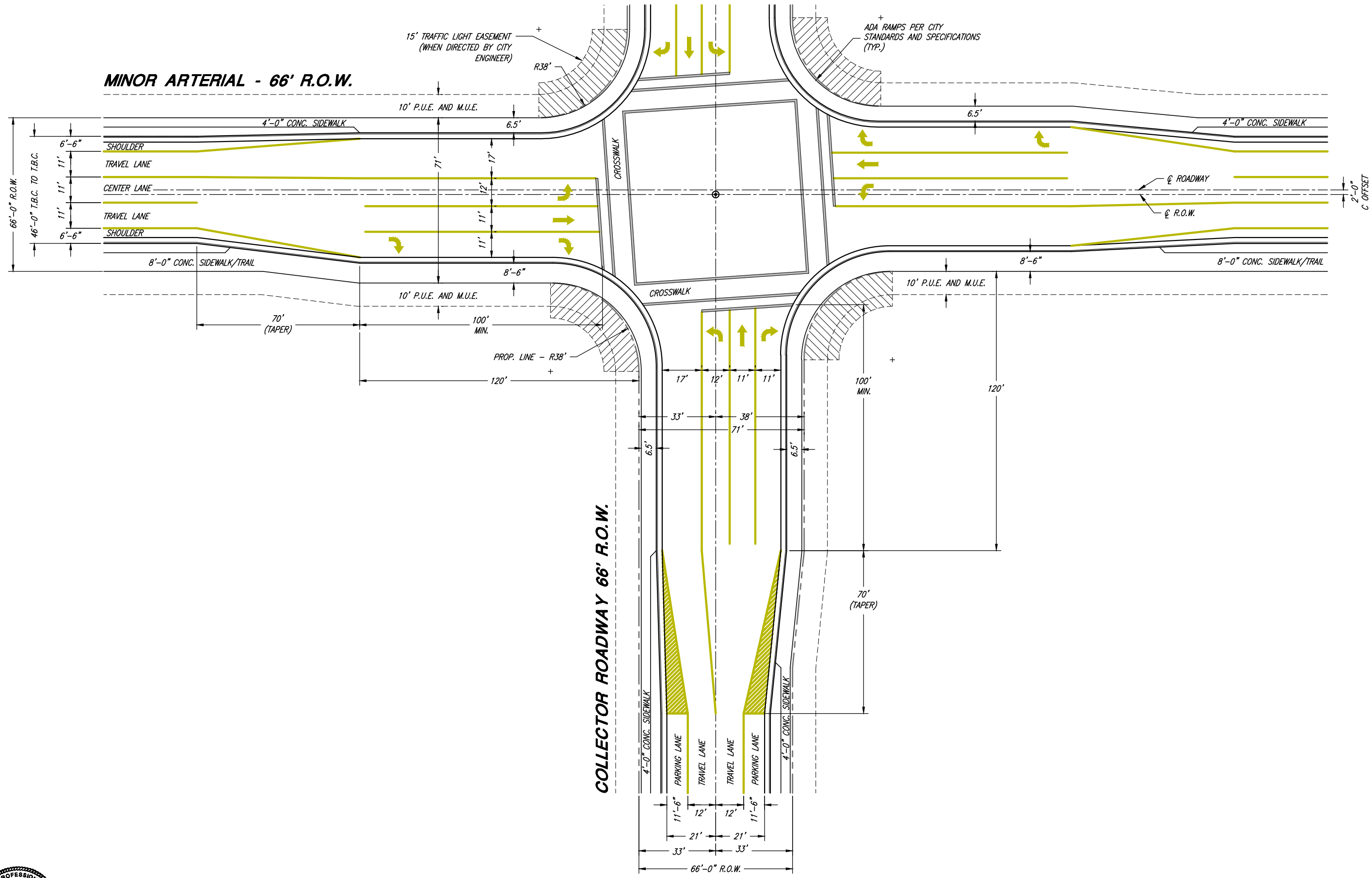
DESIGNED BEB
DRAWN BEB
CHECKED CLB

JA
JONES & ASSOCIATES
CONSULTING ENGINEERS
6080 Fashion Point Drive
South Ogden, Utah 84403 (801) 476-9767
www.jonescivil.com

TREMONTON CITY CORPORATION
PUBLIC WORKS STANDARDS
STANDARD COLLECTOR TO MINOR ARTERIAL
(80' R.O.W.) INTERSECTION DETAIL

SHEET:
R7
OF 39 SHEETS
0

MINOR ARTERIAL - 66' R.O.W.



Chris L. Brenholt
PROJECT ENGINEER
JANUARY 2023
DATE

REV.	DATE	APPR.	DESCRIPTION
1	10/12/2021	CLB	ADDED NEW DETAIL SHEET TO CITY STANDARDS
2	4/25/2022	BEB	UPDATED ROADWAY CENTERLINE, P.U.E. (EASEMENTS) AND RELATED NOTES

SCALE:
N.T.S.

DESIGNED BEB
DRAWN BEB
CHECKED CLB

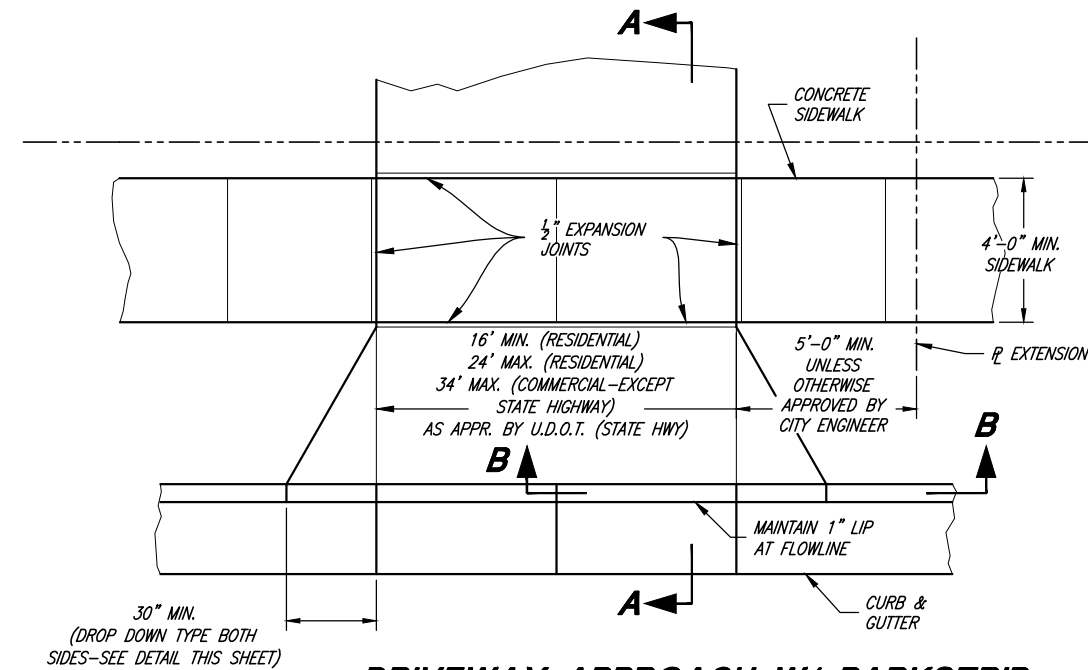
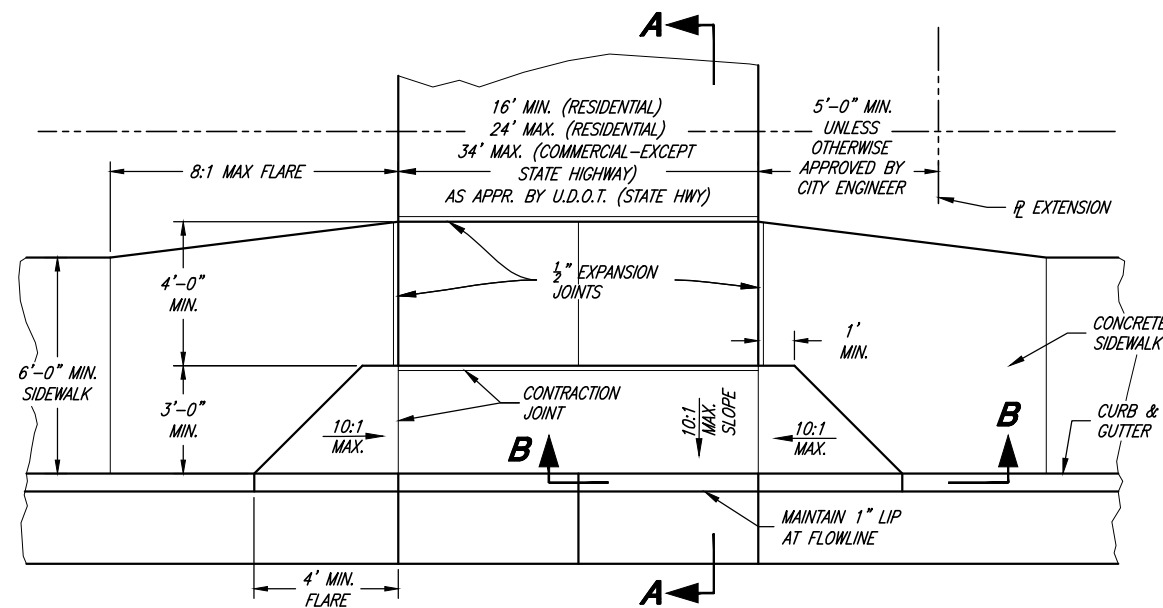
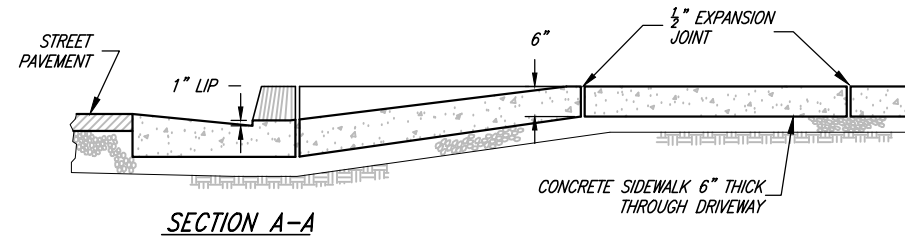
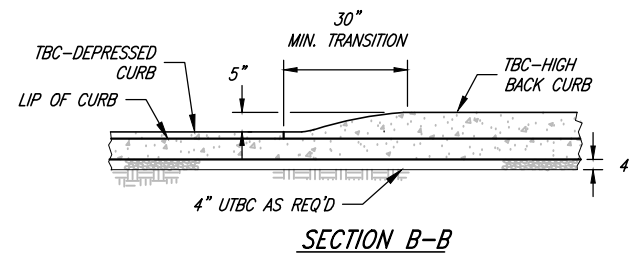
JA
JONES & ASSOCIATES
CONSULTING ENGINEERS
6080 Fashion Point Drive
South Ogden, Utah 84403 (801) 476-9767
www.jonescivil.com

TREMONTON CITY CORPORATION
PUBLIC WORKS STANDARDS
STANDARD COLLECTOR TO MINOR ARTERIAL
(66' R.O.W.) INTERSECTION DETAIL

SHEET:
R8
OF 39 SHEETS
0

DRIVEWAY APPROACH NOTES:

1. IN NEW SUBDIVISIONS WHERE FUTURE DRIVEWAY LOCATIONS ARE UNKNOWN, THE DRIVEWAY APPROACH SHALL BE MADE BY SAW CUTTING THE BACK OF THE EXISTING CURB TO THE REQUIRED DRIVEWAY WIDTH. ALL SAW CUTTING SHALL BE ACCOMPLISHED BY A CITY APPROVED LICENSED CONTRACTOR.
2. SCORE SIDEWALK $\frac{1}{4}$ " OF SIDEWALK THICKNESS AT EACH 4'-0" OR 6'-0" SECTION. EXPANSION JOINTS AT EACH 32'-0" (4'-0" SIDEWALK) OR 48'-0" (6'-0" SIDEWALK), PROVIDE ADDITIONAL CONTRACTION JOINTS ON OVERSIZED DRIVEWAYS AT 5'-0" MAX. SPACING



PROJECT ENGINEER <i>Chris L. Brenholt</i> JANUARY 2023 DATE		
REV.	DATE	APPR.

SCALE:
N. T. S.

DESIGNED BEB
DRAWN BEB
CHECKED CLB

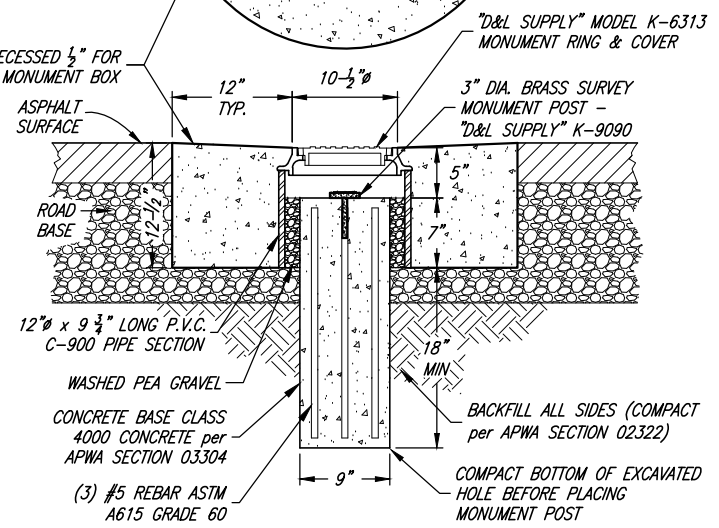
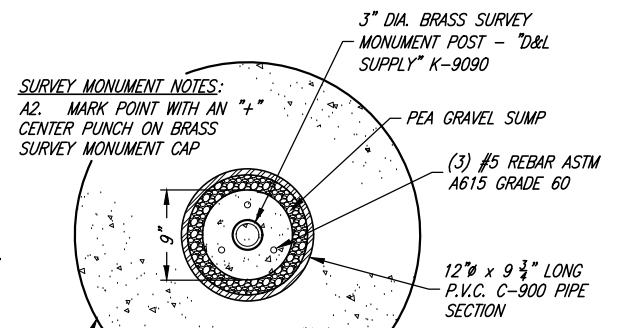
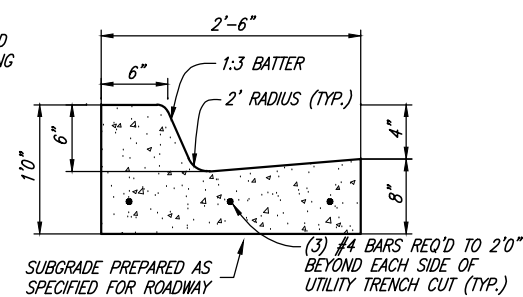
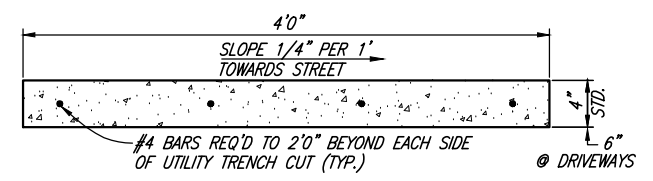
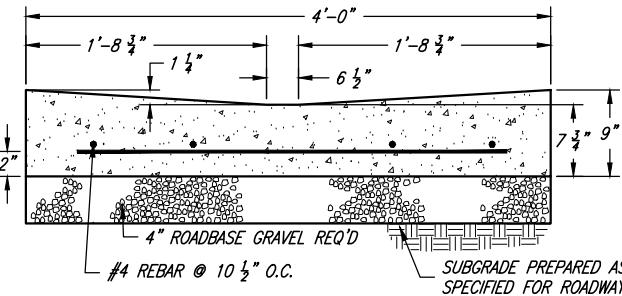
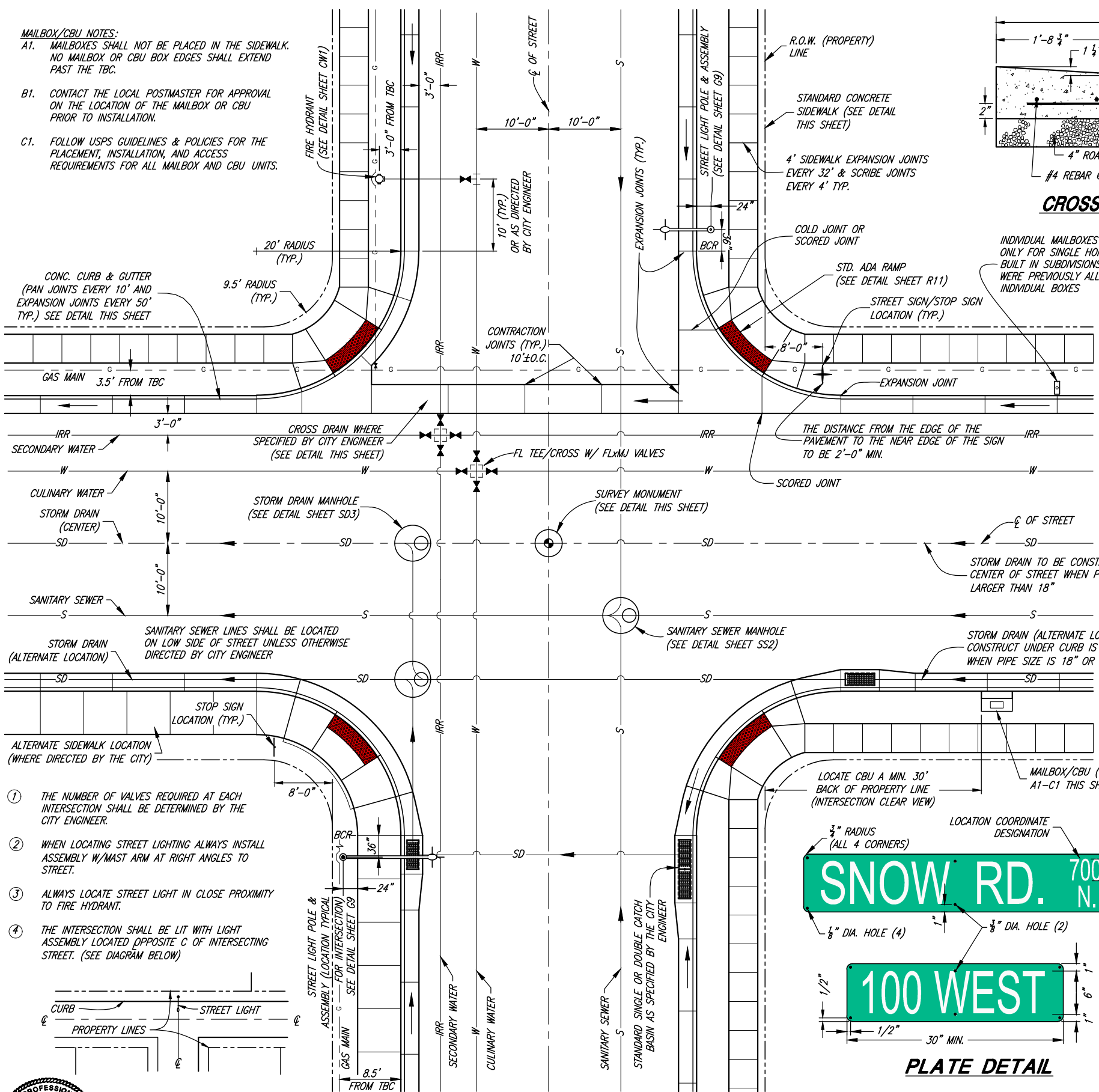


CONSULTING ENGINEERS
6080 Fashion Point Drive
South Ogden, Utah 84403 (801) 476-9767
www.jonescivil.com

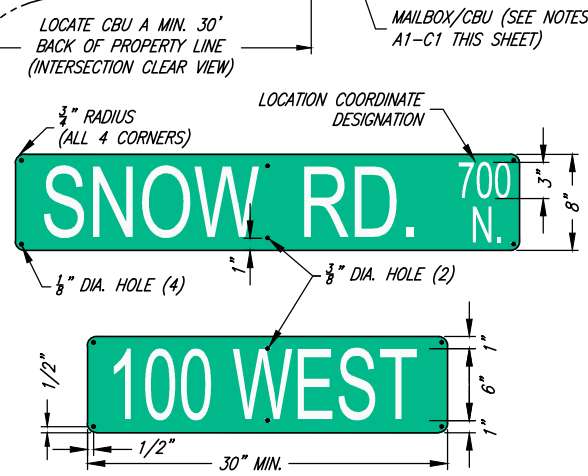
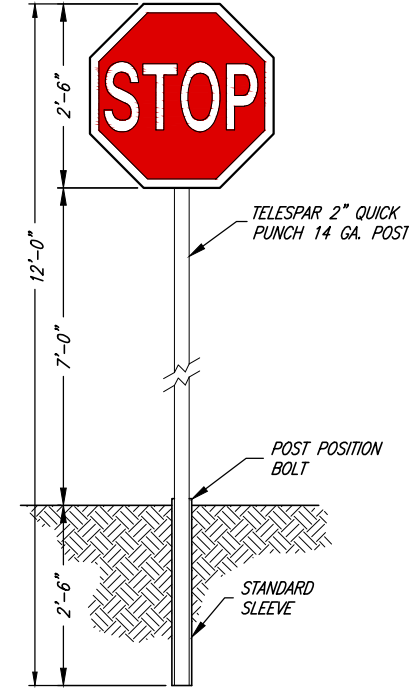
TREMONTON CITY CORPORATION PUBLIC WORKS STANDARDS	
DRIVEWAY APPROACH DETAILS	

SHEET:
R9
OF 39 SHEETS
0

- MAILBOX/CBU NOTES:**
- A1. MAILBOXES SHALL NOT BE PLACED IN THE SIDEWALK. NO MAILBOX OR CBU BOX EDGES SHALL EXTEND PAST THE TBC.
 - B1. CONTACT THE LOCAL POSTMASTER FOR APPROVAL ON THE LOCATION OF THE MAILBOX OR CBU PRIOR TO INSTALLATION.
 - C1. FOLLOW USPS GUIDELINES & POLICIES FOR THE PLACEMENT, INSTALLATION, AND ACCESS REQUIREMENTS FOR ALL MAILBOX AND CBU UNITS.



ALL SIGNS SHALL CONFORM TO THE REQUIREMENTS OF THE CURRENT "MANUAL ON UNIFORM TRAFFIC CONTROL DEVICES"



- TRAFFIC SIGN NOTES:**
- A. TRAFFIC SIGN BACKGROUND SHALL BE REGULATORY GREEN. TRAFFIC SIGNS SHALL BE AT THE VERY LEAST HIGH INTENSITY REFLECTIVE SHEETING (9FP-85 TYPE IIIA)
 - B. LEGEND SHALL BE WHITE LETTERS (FONT: HIGHWAY C), HIGH INTENSITY REFLECTIVE SHEETING (9FP-85 IIIA)
 - C. SIGN BLANK SHALL BE 6081-T6 HEAT TREATED HIGH TENSILE DEGRADED ALUMINUM W/ALODINE 1200 FINISH-THICKNESS SHALL BE 0.08"
 - D. EACH SIGN SHALL CONSIST OF TWO PLATES RIVETED TOGETHER & MOUNTED AS SHOWN
 - E. SIGNS ON PRIVATE ROADS SHALL MEET ALL SPECIFICATIONS FOR STANDARD SIGNS, EXCEPT BACKGROUND SHALL BE BLUE
 - F. ALL STREETS WITH NAMES MUST ALSO SHOW LOCATIONS COORDINATE DESIGNATION
 - G. CONTACT CITY PRIOR TO MAKING SIGNS TO VERIFY PROPER NAMES AND COORDINATES

REGISTERED PROFESSIONAL ENGINEER
 No. 276381
 CRISL BRENNOLT
 STATE OF UTAH
 PROJECT ENGINEER
 JANUARY 2023
 DATE

REV.	DATE	APPR.

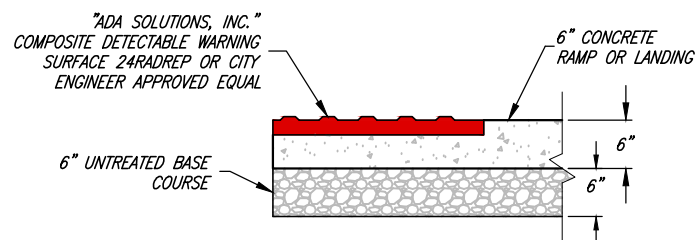
SCALE: N.T.S.
 DESIGNED: BEB
 DRAWN: BEB
 CHECKED: CLB

JA JONES & ASSOCIATES
 CONSULTING ENGINEERS
 6080 Fashion Point Drive
 South Ogden, Utah 84403 (801) 476-9767
 www.jonescivil.com

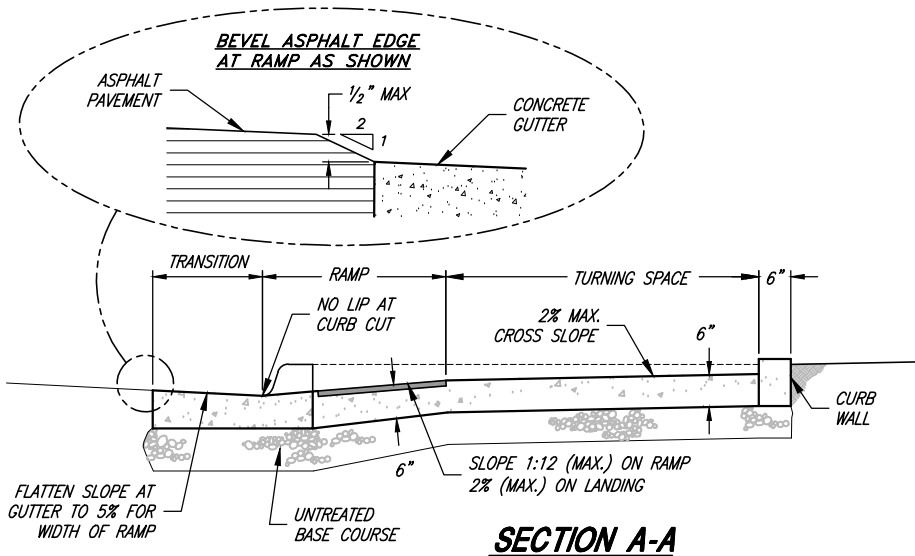
TREMONTON CITY CORPORATION
 PUBLIC WORKS STANDARDS
STANDARD STREET INTERSECTION DETAILS

DETECTABLE WARNING SURFACE NOTES:

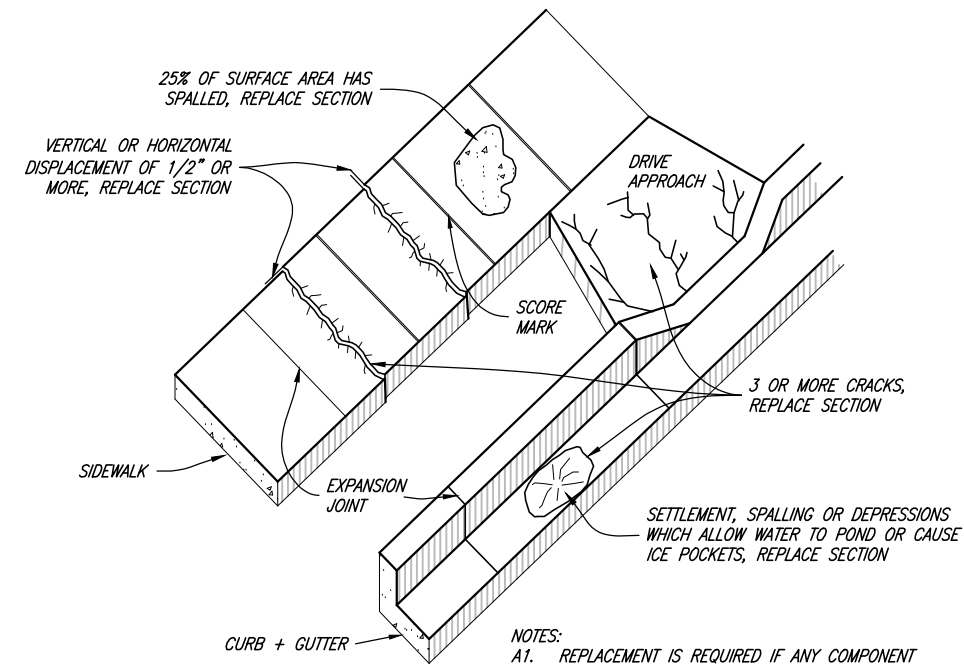
1. LOCATE THE DETECTABLE WARNING SURFACE SO THE OUTSIDE CORNER NEAREST THE STREET IS WITHIN 1 INCH OF THE BACK OF CURB (TBC). PROVIDE 2-FOOT MINIMUM DEPTH.
2. PROVIDE DETECTABLE WARNING SURFACE FOR FULL WIDTH OF CURB CUT.
3. THE DETECTABLE WARNING SURFACE DOMES SHALL BE ORIENTED SUCH THAT THE ROWS ARE PARALLEL WITH THE DIRECTION OF PEDESTRIAN TRAVEL TO THE RAMP ON THE OPPOSITE SIDE OF THE STREET.
4. THE STANDARD COLOR FOR THE DETECTABLE WARNING SURFACE SHALL BE RED OR PRE-APPROVED CONTRASTING COLOR. WHEN THE EXISTING SIDEWALK COLOR IS NOT STANDARD CONCRETE, THE COLOR OF THE DETECTABLE WARNING SURFACE SHALL BE DETERMINED BY THE CITY ENGINEER OR AUTHORIZED REPRESENTATIVE.
5. WHEN A DETECTABLE WARNING SURFACE DOME IS CUT, THE REMAINING PORTION OF THE DOME SHALL BE BEVELED TO A MAXIMUM SLOPE OF 1:2.



DETECTABLE WARNING SURFACE DETAIL



SECTION A-A



- NOTES:**
- REPLACEMENT IS REQUIRED IF ANY COMPONENT HAS ONE OR MORE OF THE CONDITIONS SHOWN ABOVE.
 - ANYTIME CONCRETE IS CUT TO REPLACE A DEFECTIVE COMPONENT, THE CUT SHOULD EXTEND COMPLETELY THROUGH THE PIECE BEING REPLACED.

DEFECTIVE CONCRETE REPLACEMENT CRITERIA

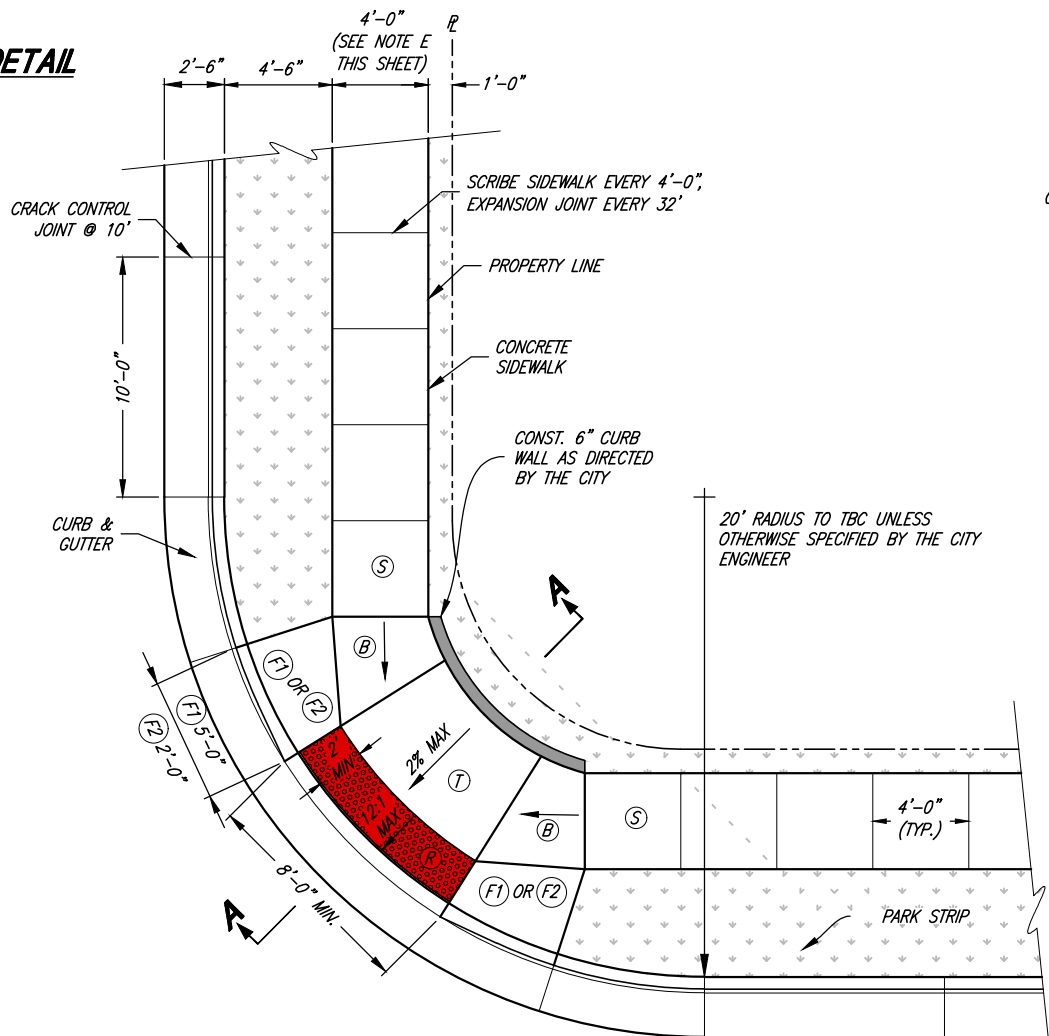
ADA RAMP NOTES:

- WHERE DESIGNATED BY THE CITY, ALTERNATE UDOT OR APWA RAMP DESIGNS MAY BE USED WITH THE PRIOR APPROVAL OF THE CITY ENGINEER AND THE CITY PUBLIC WORKS DEPARTMENT. SUBMIT ENGINEERED CONSTRUCTION PLANS TO CITY ENGINEER FOR REVIEW AND ACCEPTANCE PRIOR TO CONSTRUCTION.
- SITE CONDITIONS WILL VARY. CONFIGURATION OF RAMP, LANDING, AND TRANSITION MAY BE CHANGED, BUT THEY MUST MEET DIMENSIONS AND SLOPES AS SHOWN IN THE MOST RECENT EDITION OF THE U.D.O.T. STANDARDS & SPECIFICATIONS (SHEETS PA1 THROUGH PA5). THE USE OF FLARES, CURB WALLS, ETC. ARE AT THE DISCRETION OF THE ENGINEER.
- LOCATE CURB CUT WITHIN CROSSWALK.
- RAMP GRADE BREAK MUST BE PERPENDICULAR TO THE RUNNING SLOPE.
- A 5'x5' AREA MUST BE PROVIDED AT A MINIMUM SPACING OF 200' WHEN NO OTHER FEATURES MEET ADA PASSING ZONE REQUIREMENTS

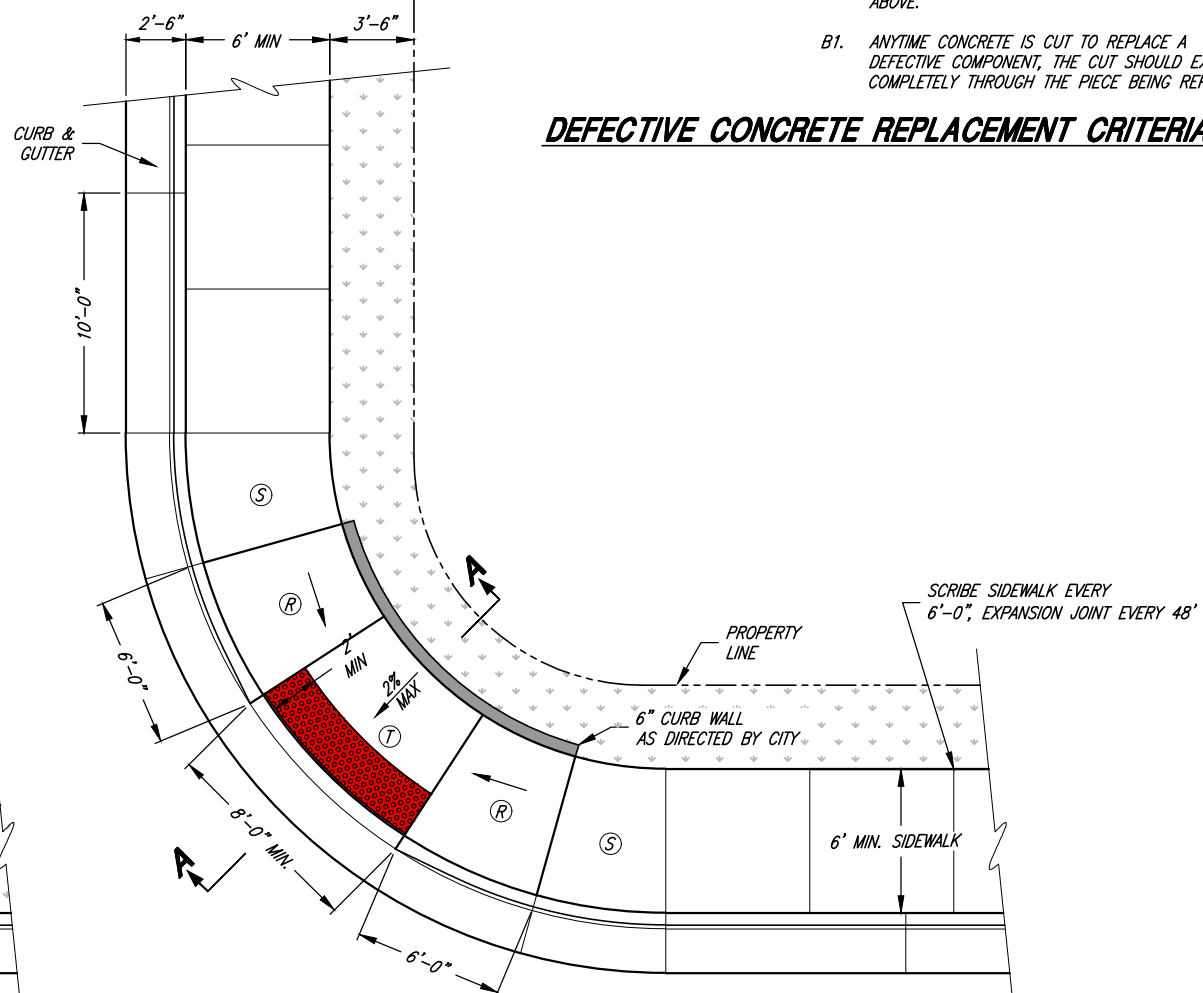
SLOPE TABLE			
ITEM	MAX RUNNING SLOPE*	MAX. CROSS SLOPE*	
(T)	TURNING SPACE ²	2% (1V:48H)	2% (1V:48H)
(R)	RAMP	8.3% (1V:12H)	2% (1V:48H)
(S)	SIDEWALK	5% (1:20) ¹	2% (1V:48H)
(F1)	TRAVERSABLE SURFACE	10% (1V:10H)	--
(F2)	NON-TRAVERSABLE SURFACE	25% (1V:4H)	--
(B)	BLENDED TRANSITION	5% (1V:20H) 2% MIN.	2% (1V:48H)

* RUNNING SLOPE IS IN THE DIRECTION OF PEDESTRIAN TRAVEL. CROSS SLOPE IS PERPENDICULAR TO PEDESTRIAN TRAVEL.

¹ 5% MAX OR NATURAL SLOPE OF LAND
² NOT TO EXCEED 2% IN ANY DIRECTION



**TYPICAL ADA RAMP
CITY STANDARD**



**ADA RAMP-DETAIL "B"
(WITHOUT PARK STRIP)**



Chris L. Brenholt
PROJECT ENGINEER
JANUARY 2023
DATE

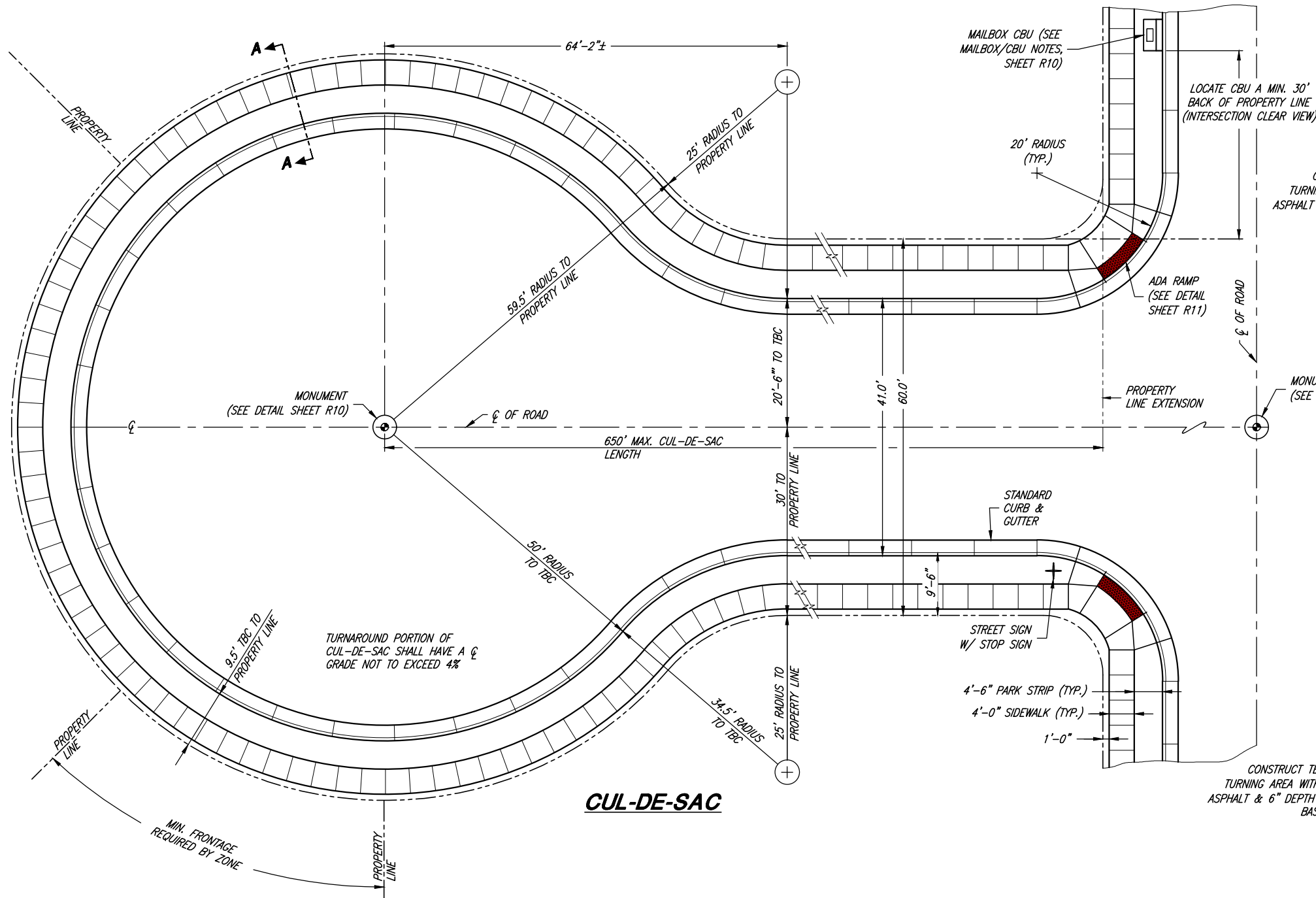
REV.	DATE	APPR.

SCALE:
N. T.S.

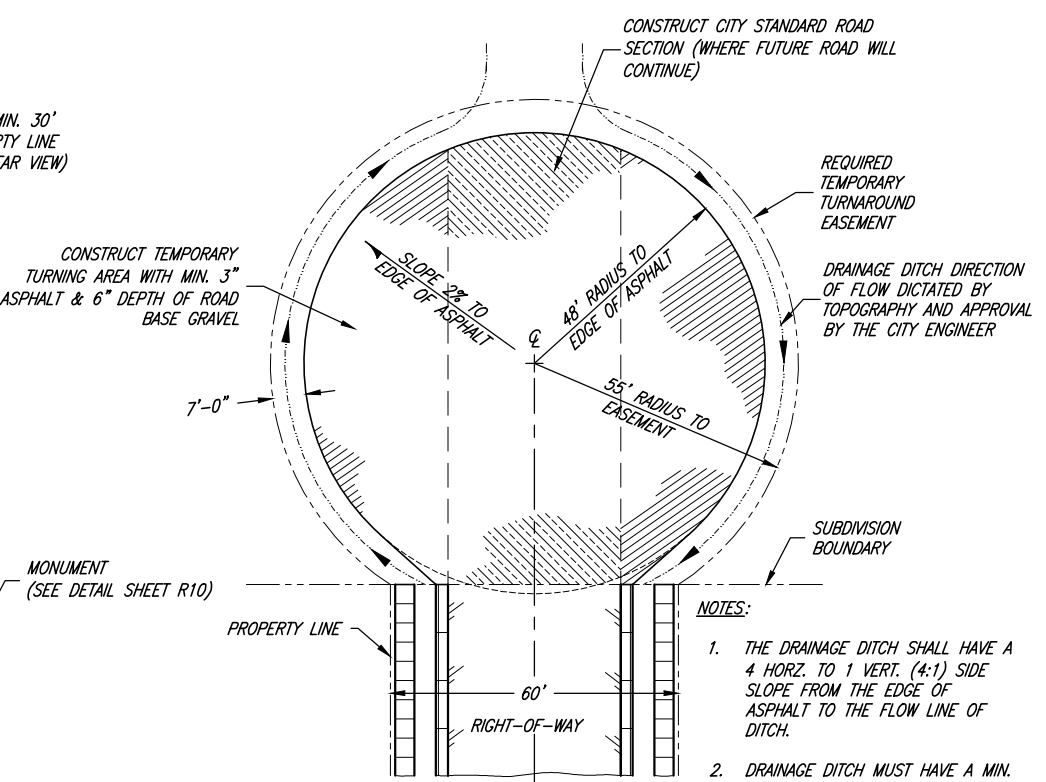
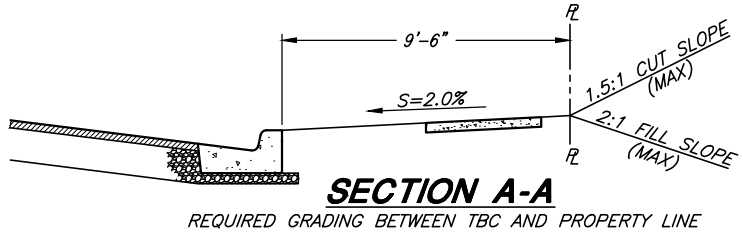
DESIGNED: BEB
 DRAWN: BEB
 CHECKED: CLB

JONES & ASSOCIATES
 CONSULTING ENGINEERS
 6080 Fashion Point Drive
 South Ogden, Utah 84403 (801) 476-9767
 www.jonescivil.com

TREMONTON CITY CORPORATION
 PUBLIC WORKS STANDARDS
TYPICAL ADA RAMP

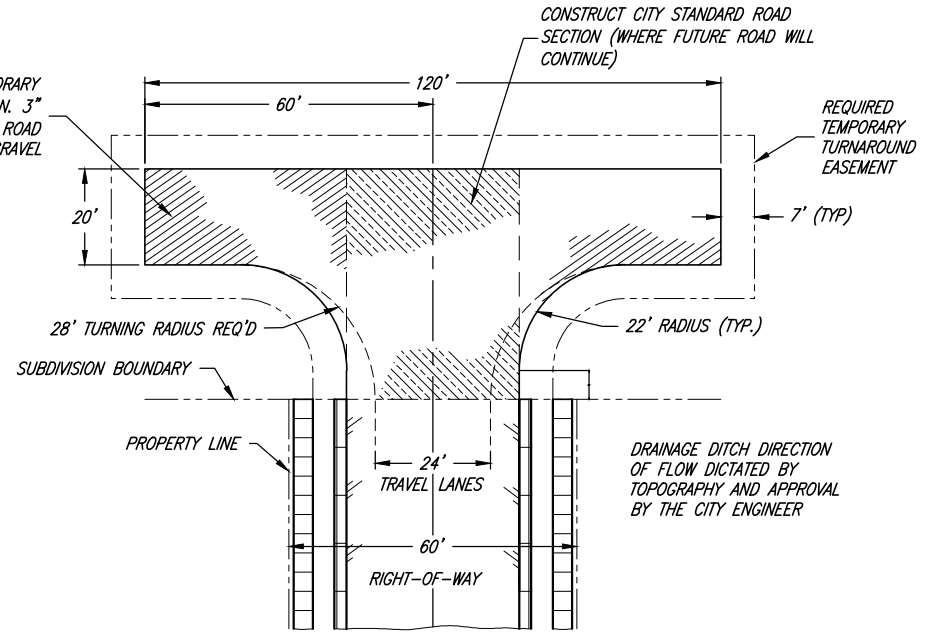


CUL-DE-SAC



TEMPORARY TURNAROUND

TEMPORARY TURNAROUND NOTE:
WHEN TURNAROUND CANNOT BE CONSTRUCTED OUTSIDE OF THE SUBDIVISION, IT SHALL BE LOCATED ON A PORTION OF THE SUBDIVISION LOTS (AS NEEDED) WITH THE SUBDIVIDER PLACING IN ESCROW AN AMOUNT OF MONEY SUFFICIENT TO COMPLETE THE STREET IMPROVEMENTS TO THE SUBDIVISION BOUNDARY. THESE FUNDS WILL BE USED AT SUCH TIME THE STREET IS EXTENDED.



- GENERAL NOTES:
1. THE CIRCULAR CUL-DE-SAC LAYOUT SHOWN ON THIS SHEET IS TO BE CONSIDERED AS THE CITY STANDARD DESIGN. OTHER ALTERNATE DESIGNS MAY BE CONSIDERED AS APPROVED BY THE CITY ENGINEER.
 2. CUL-DE-SACS WITH A NEGATIVE GRADE PROGRESSING TOWARD THE TURNAROUND SHALL BE LIMITED TO A MAXIMUM GRADE OF SIX (6) PERCENT. THE CUL-DE-SAC SHALL TERMINATE WITH A GRADE OF NOT TO EXCEED THREE (3) PERCENT FOR THE LAST ONE HUNDRED (100) FEET OF TRAVELED SURFACE. THE CUL-DE-SAC SHALL HAVE ADEQUATE CURB, GUTTER, AND EASEMENT FOR DRAINAGE.
 3. WATER LINE IN CUL-DE-SAC SHALL TERMINATE WITH FIRE HYDRANT (SEE SHEET 6)



Chris L. Remolt
PROJECT ENGINEER
JANUARY 2023
DATE

1	NOV.09	CLB	REMOVED THE LETTER "C" IN NOTE 1
REV.	DATE	APPR.	

SCALE:
N.T.S.

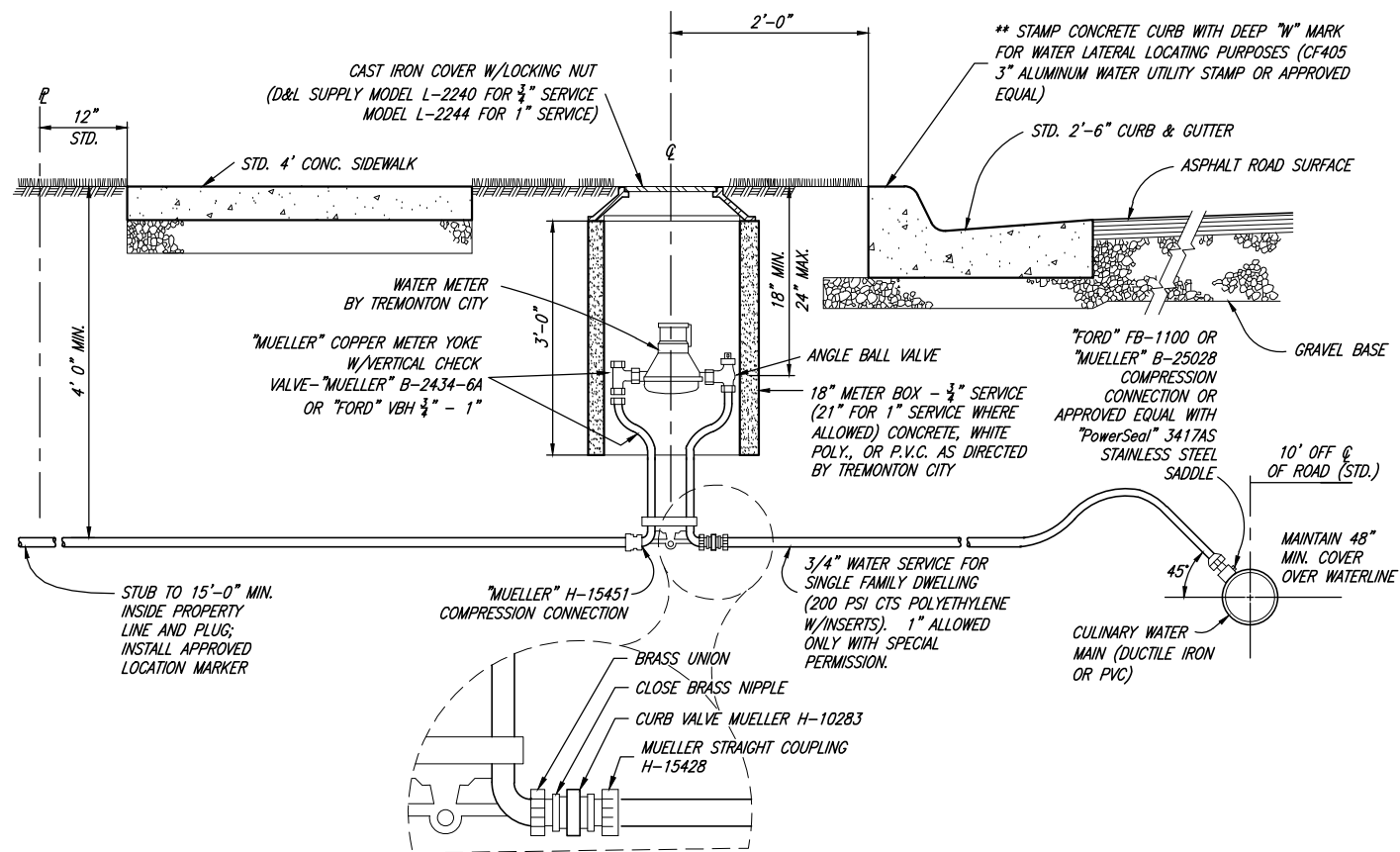
DESIGNED *BEB*
DRAWN *BEB*
CHECKED *CLB*



CONSULTING ENGINEERS
6080 Fashion Point Drive
South Ogden, Utah 84403 (801) 476-9767
www.jonescivil.com

TREMONTON CITY CORPORATION
PUBLIC WORKS STANDARDS
CUL-DE-SAC DETAILS

SHEET:
R12
OF 39 SHEETS
0



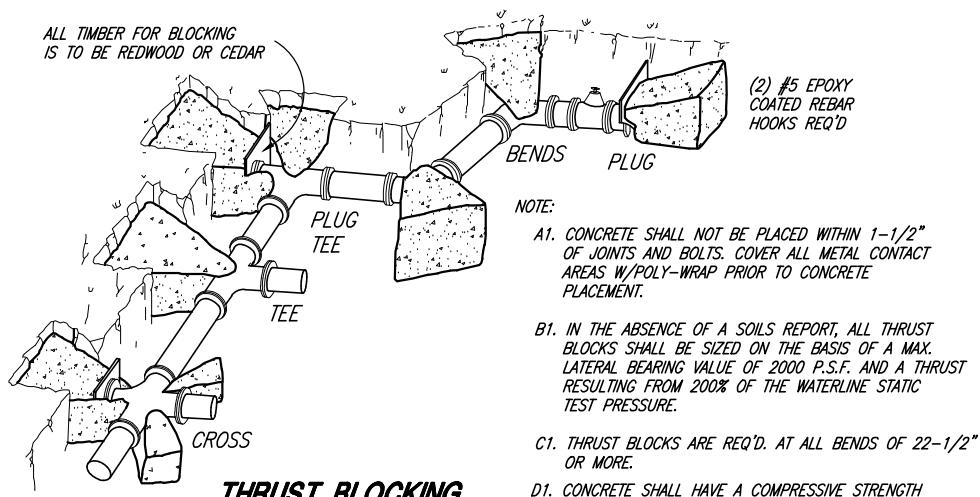
TYPICAL CULINARY WATER SERVICE CONNECTION

THRUST PER P.S.I. OF WATER PRESSURE AT VARIOUS FITTINGS

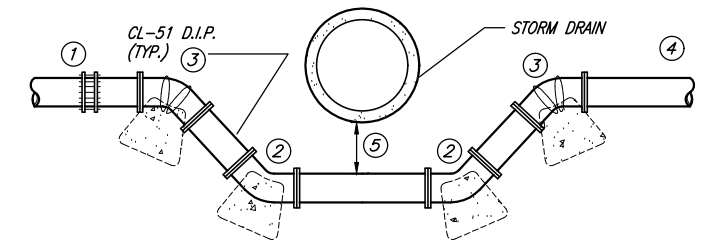
PIPE SIZE	DEAD END OR TEE	90° ELBOW	45° ELBOW	22 1/2° ELBOW
4	19	27	15	7
6	39	55	30	15
8	67	94	51	26
10	109	154	84	43
12	155	218	119	61
14	210	296	161	82
16	272	383	209	106
18	351	494	269	137
20	434	611	333	169
24	623	878	478	244

EXAMPLE:
 8-INCH 90° ELBOW, PRESSURE 200 LB./SQ. IN.
 FROM TABLE: THRUST = 94 x 200 = 18,800 LB.
 ASSUME BEARING STRENGTH OF SOIL = 2000 LB./SQ. FT.
 $\frac{18,800}{2,000} = 9.4$ SQ. FT. AREA OF BEARING REQUIRED FOR THRUST BLOCK

NOTES:
 A. IN USING THE ABOVE TABLES, USE THE MAXIMUM INTERNAL PRESSURE ANTICIPATED (I.E. HYDROSTATIC TEST PRESSURE, POSSIBLE SURGE PRESSURE DUE TO PUMP SHUT OFF, ETC.).
 B. SEE SOILS REPORT FOR BEARING STRENGTH OF SOIL. IN THE ABSENCE OF A SOILS REPORT, AN AVERAGE SOIL (SPADABLE MEDIUM CLAY) CAN BE ASSUMED TO HAVE A BEARING STRENGTH OF 2000 P.S.F.

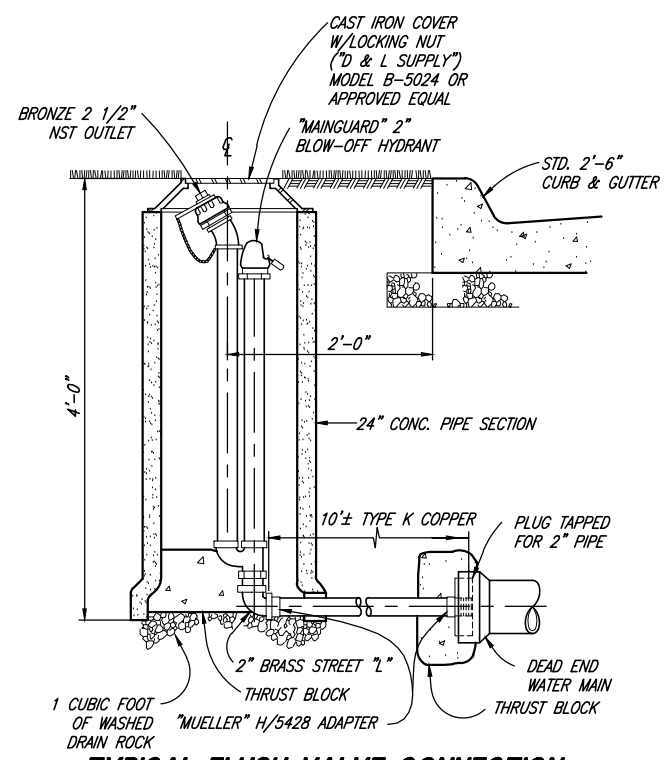


THRUST BLOCKING

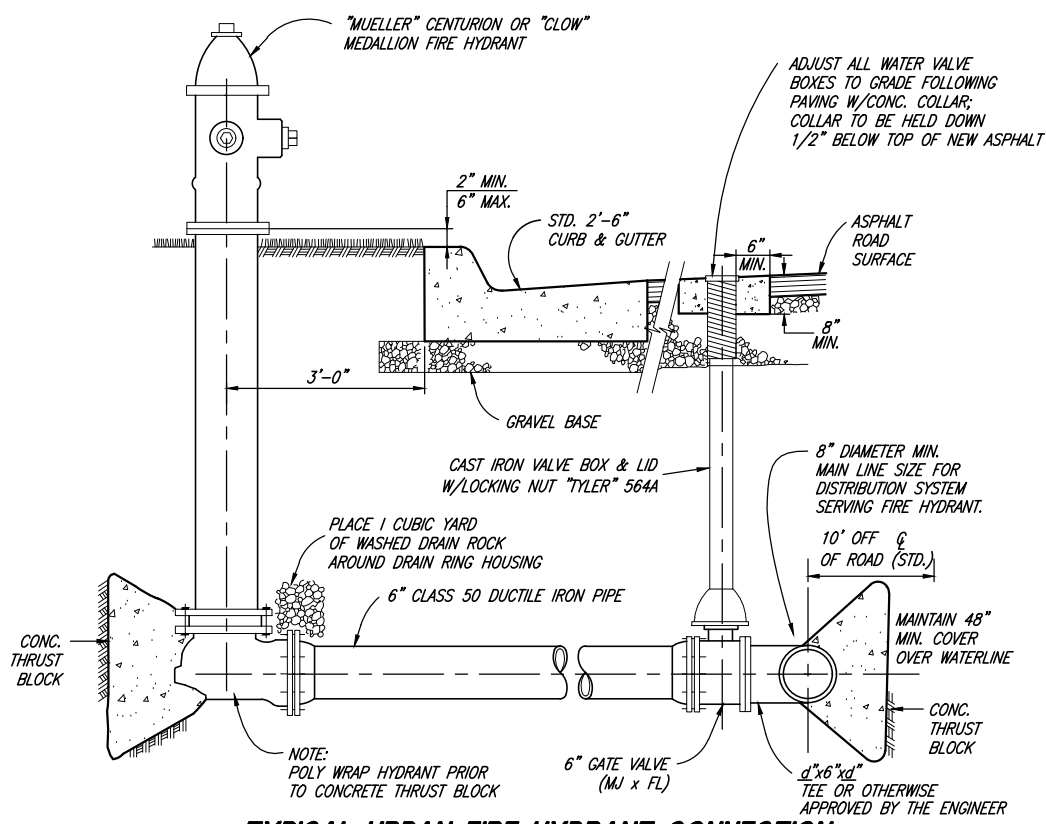


- TRANSITION COUPLING; "ROMAC" MODEL 501.
- MJ 45° BEND W/RETAINER GLANDS.
- CONSTRUCT THRUST BLOCKS AT EACH 45° BEND W/(3) #6 REBARS SECURING BLOCK TO FITTING (EPOXY COATING).
- AN AIR/VACUUM RELIEF VALVE MAY BE REQUIRED ON A CASE BY CASE BASIS AS DIRECTED BY THE CITY ENGINEER.
- MINIMUM OF 12" COVER BETWEEN THE WATERLINE AND CONFLICTING UTILITY LINE TO BE CROSSED, EXCEPT LOOPS INVOLVING SEWER MAINS, WHERE A MINIMUM OF 18" VERTICAL COVER ABOVE THE SEWER MAIN IS REQUIRED. EXCEPTIONS MUST BE APPROVED BY THE UTAH DIVISION OF DRINKING WATER (DDW).

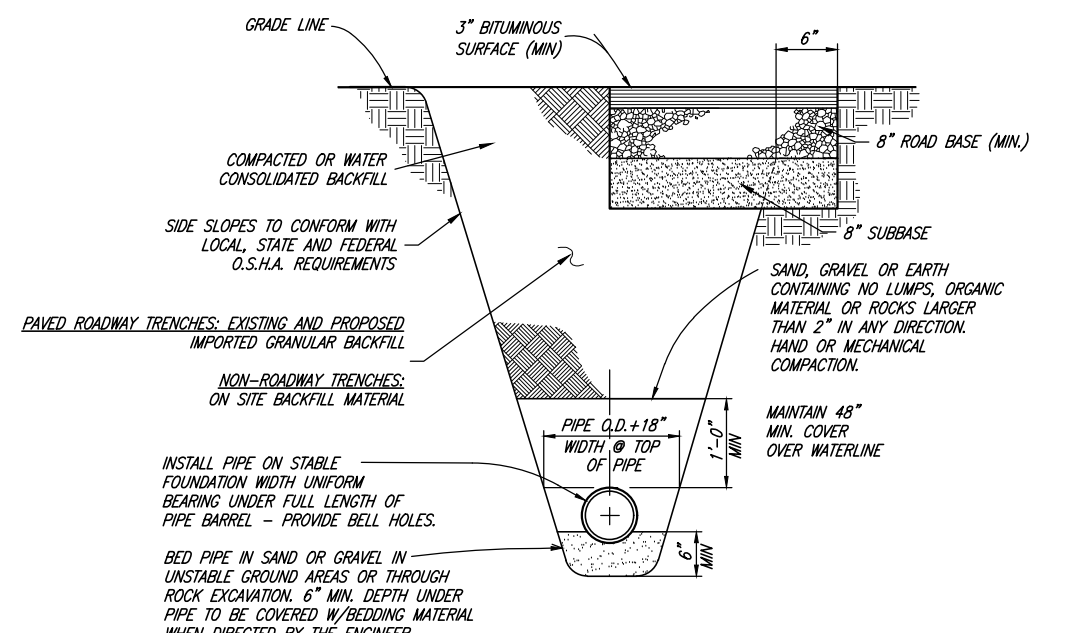
TYPICAL WATERLINE LOOP



TYPICAL FLUSH VALVE CONNECTION



TYPICAL URBAN FIRE HYDRANT CONNECTION



TYPICAL TRENCH SECTION



Chris L. Brenholt
 PROJECT ENGINEER
 JANUARY 2023
 DATE

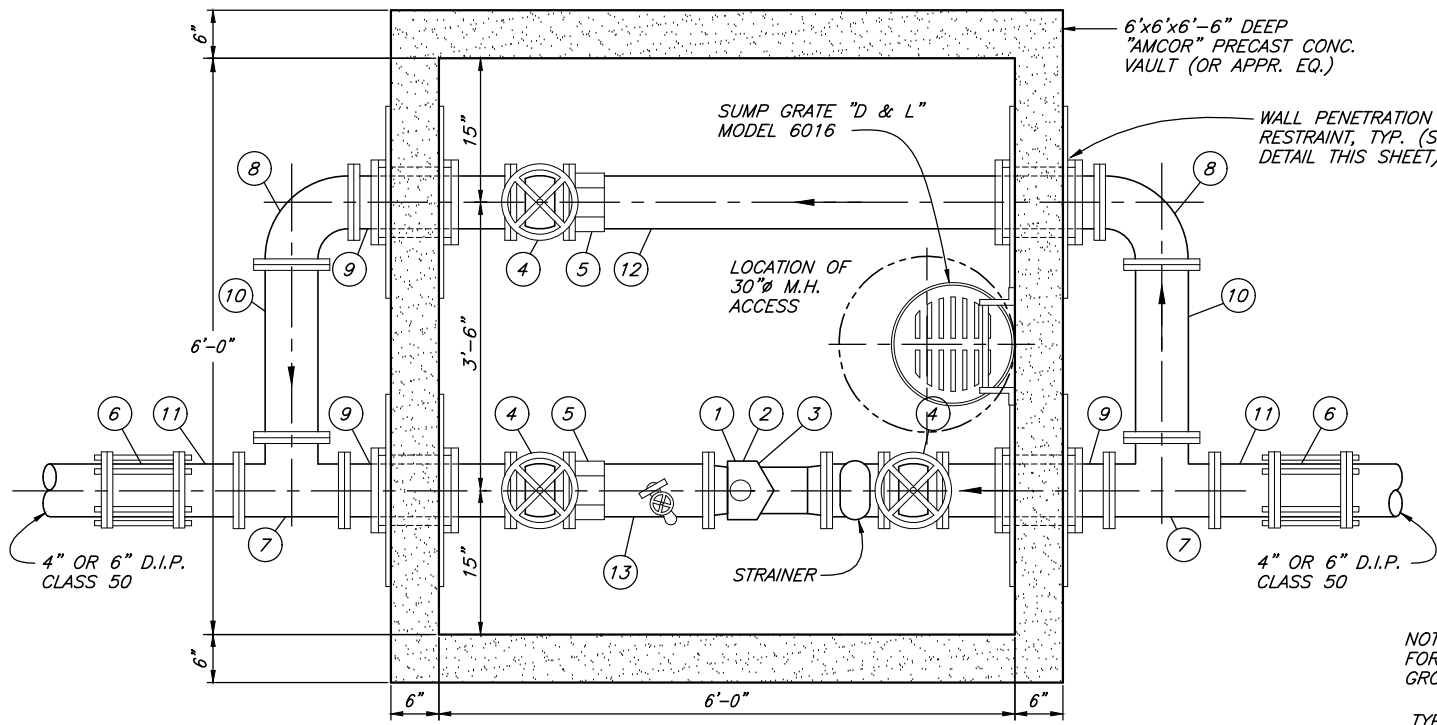
REV.	DATE	APPR.	DESCRIPTION
1	FEB.17	BEB	ADDED CURB WATER STAMP NOTE TO SERVICE CONNECTION DETAIL

SCALE:
 N.T.S.
 DESIGNED: BEB
 DRAWN: BEB
 CHECKED: CLB

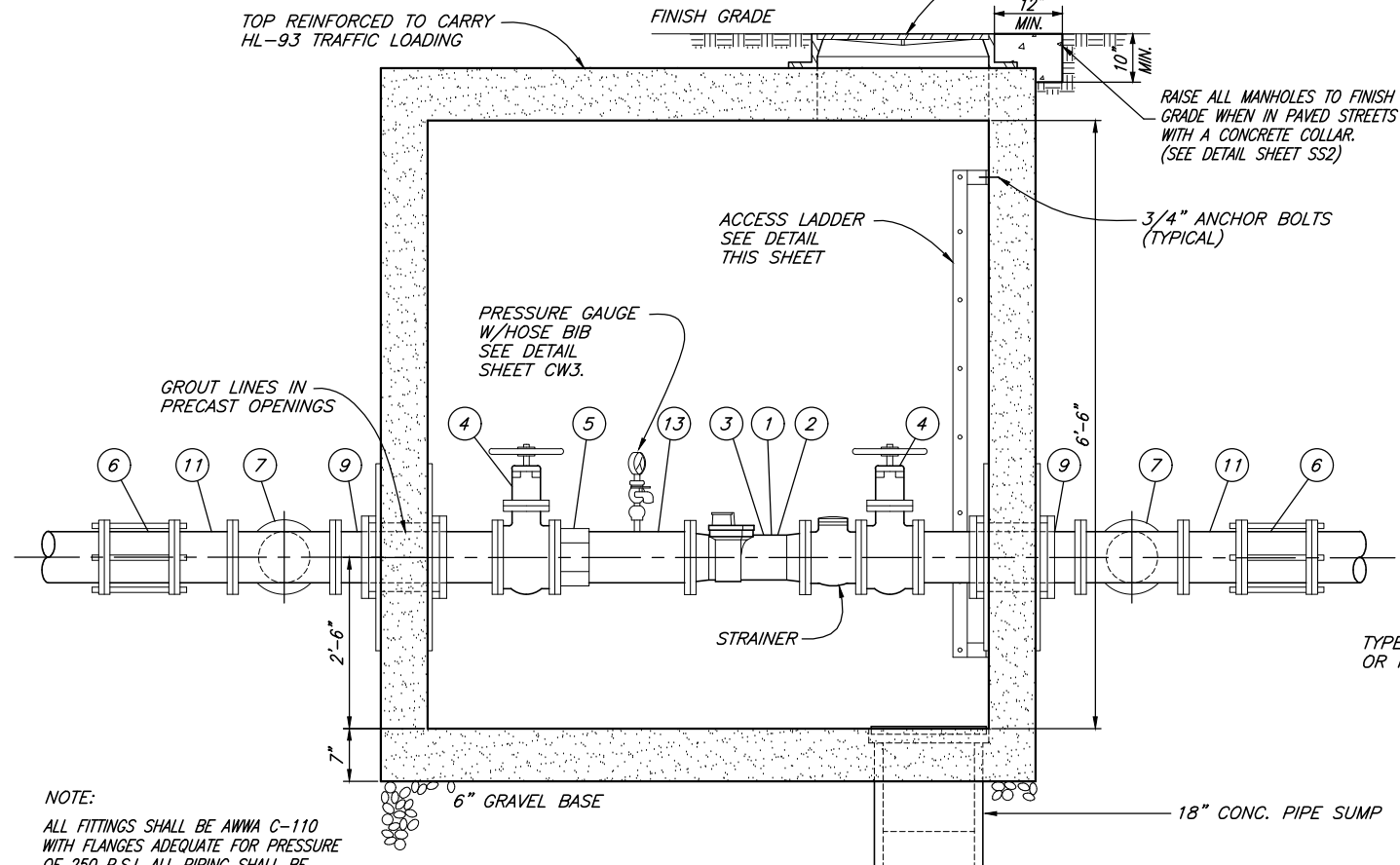
JA JONES & ASSOCIATES
 CONSULTING ENGINEERS
 6080 Fashion Point Drive
 South Ogden, Utah 84403 (801) 476-9767
 www.jonescivil.com

TREMONTON CITY CORPORATION
 PUBLIC WORKS STANDARDS
FIRE HYDRANT AND WATER SERVICE CONNECTIONS

SHEET:
CW1
 OF 39 SHEETS
 0

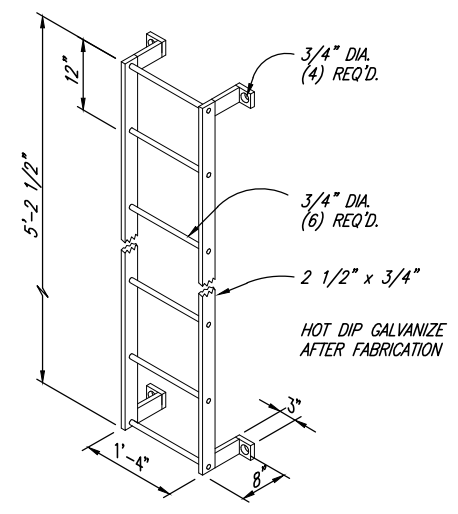


PLAN

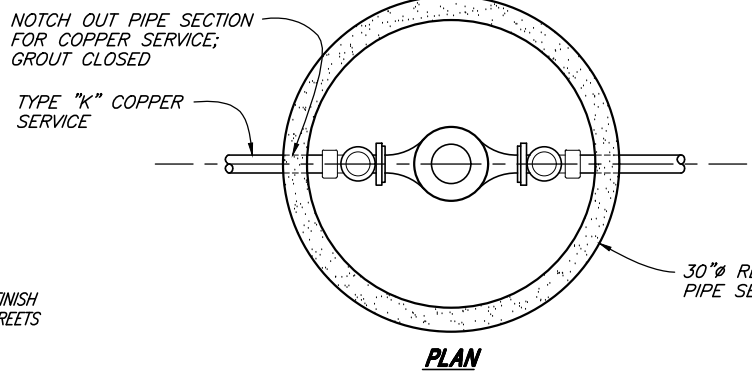


SECTION

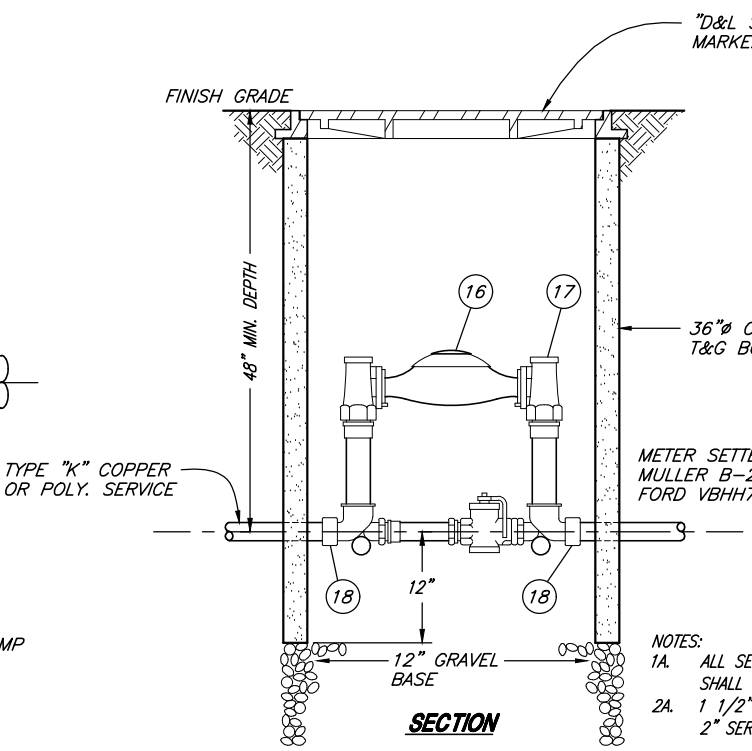
3", 4" & 6" WATER METER STATION



LADDER DETAIL



PLAN



SECTION

1 1/2" & 2" WATER METER STATION

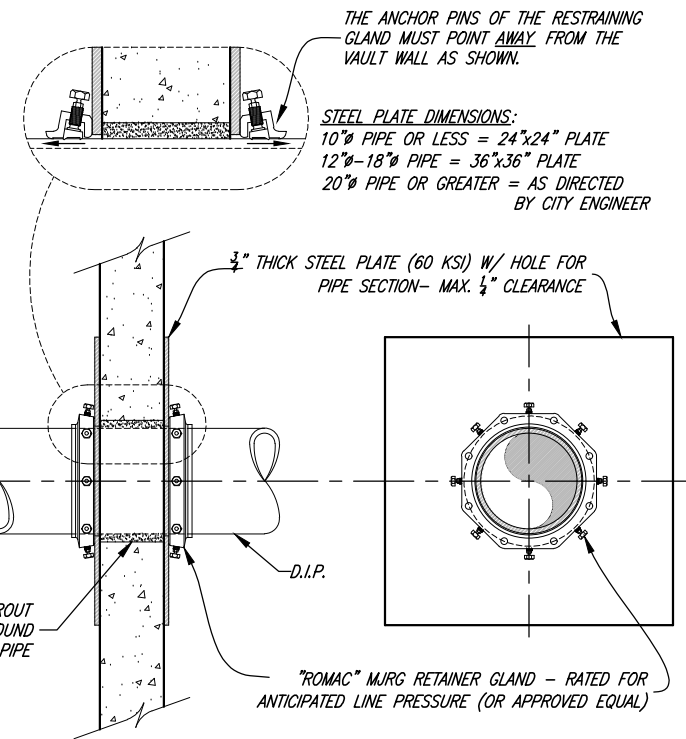
PIPE & FITTING SCHEDULE

NO.	DESCRIPTION (3", 4" & 6" METER STA.)	JOINT TYPE	3"	4"	6"
			LINE	LINE	LINE
1	"MASTER METER" DUAL BODY COMPOUND METER W/STRAINER	FL	3"	-	-
2	"MASTER METER" DUAL BODY COMPOUND METER W/STRAINER	FL	-	4"	-
3	"MASTER METER" DUAL BODY COMPOUND METER W/STRAINER	FL	-	4"	6"
4	GATE VALVE	FL	3"	4"	6"
5	"ROMAC" FCA501 FLANGED COUPLING ADAPTER	FLxPE	3"	4"	6"
6	"ROMAC" 501 FLEXIBLE PIPE COUPLING	FLxPE	3"	4"	6"
7	TEE	FL	3"	4"	6"
8	90° ELBOW	FL	3"	4"	6"
9	SPOOL PIECE	FL	3"x24"	4"x24"	6"x24"
10	SPOOL PIECE	FL	3"x31"	4"x29"	6"x26"
11	NIPPLE	FLxPE	3"x12"	4"x12"	6"x12"
12	NIPPLE	FLxPE	3"x74"	4"x74"	6"x74"
13	NIPPLE	FLxPE	3"x23"	4"x19"	6"x12 3/8"

NO.	DESCRIPTION (1 1/2" & 2" METER STA.)	JOINT TYPE	1 1/2"	2"
			LINE	LINE
16	"MASTER METER" DUAL BODY COMPOUND METER W/STRAINER	FL	1 1/2"	2"
17	"MUELLER" B-2423-2 METER YOKE (18" HEIGHT)	-	1 1/2"	2"
18	"MUELLER" 110 COMPRESSION CONN. COUPLING	-	1 1/2"	2"

GENERAL NOTES:

- A. PROPERTY OWNER OR CONTRACTOR SHALL PAY FOR ALL COSTS OF INSTALLATION INCLUDING ALL MATERIALS, ALL EXCAVATION AND FILL, ASPHALT REPLACEMENT AND WATER MAIN CONNECTION.
- B. INSPECTION OF ALL WATER LINE INSTALLATIONS WILL BE DONE BY TREMONTON CITY WATER DEPT., WITH A 48 HOUR MINIMUM NOTICE REQUIRED PRIOR TO START OF WORK.
- C. IF APPLICABLE, A TREMONTON CITY CUT PERMIT MUST BE REQUESTED AND APPROVED PRIOR TO START OF WORK.



WALL PENETRATION DETAIL

FOR PRECAST VAULT (TYP)

NOTE:
ALL FITTINGS SHALL BE AWMA C-110 WITH FLANGES ADEQUATE FOR PRESSURE OF 250 P.S.I. ALL PIPING SHALL BE DUCTILE IRON PIPE-CLASS 350 P.S.I. MIN.

NOTES:
1A. ALL SERVICE LINES TO AND FROM METER SHALL BE TYPE "K" COPPER.
2A. 1 1/2" SERVICE LINE-13" METER
2" SERVICE LINE-17" METER



Chris L. Brenholt
PROJECT ENGINEER
JANUARY 2023
DATE

1	NOV.09	CLB	ADDED CONCRETE COLLAR

SCALE:
N.T.S.
DESIGNED: BEB
DRAWN: BEB
CHECKED: CLB

JA JONES & ASSOCIATES
CONSULTING ENGINEERS
6080 Fashion Point Drive
South Ogden, Utah 84403 (801) 476-9767
www.jonescivil.com

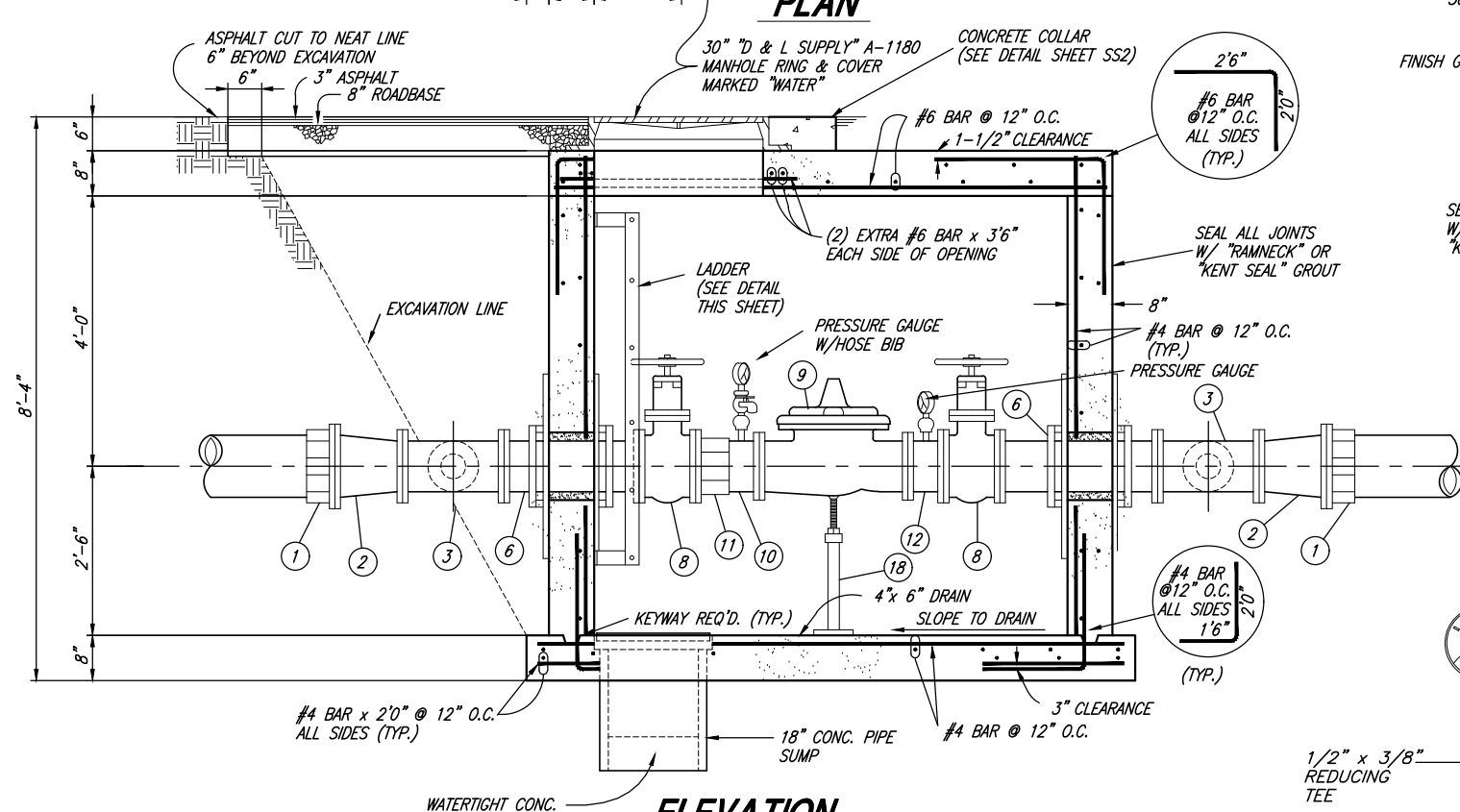
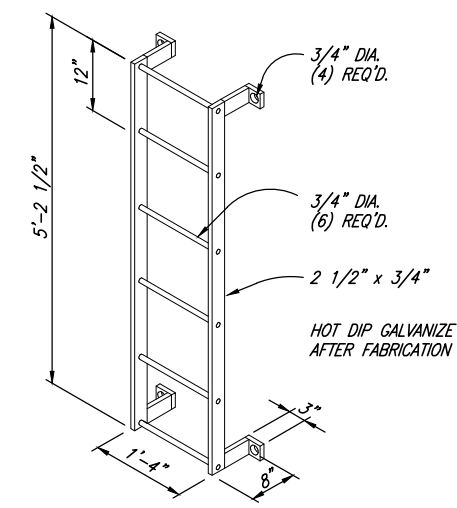
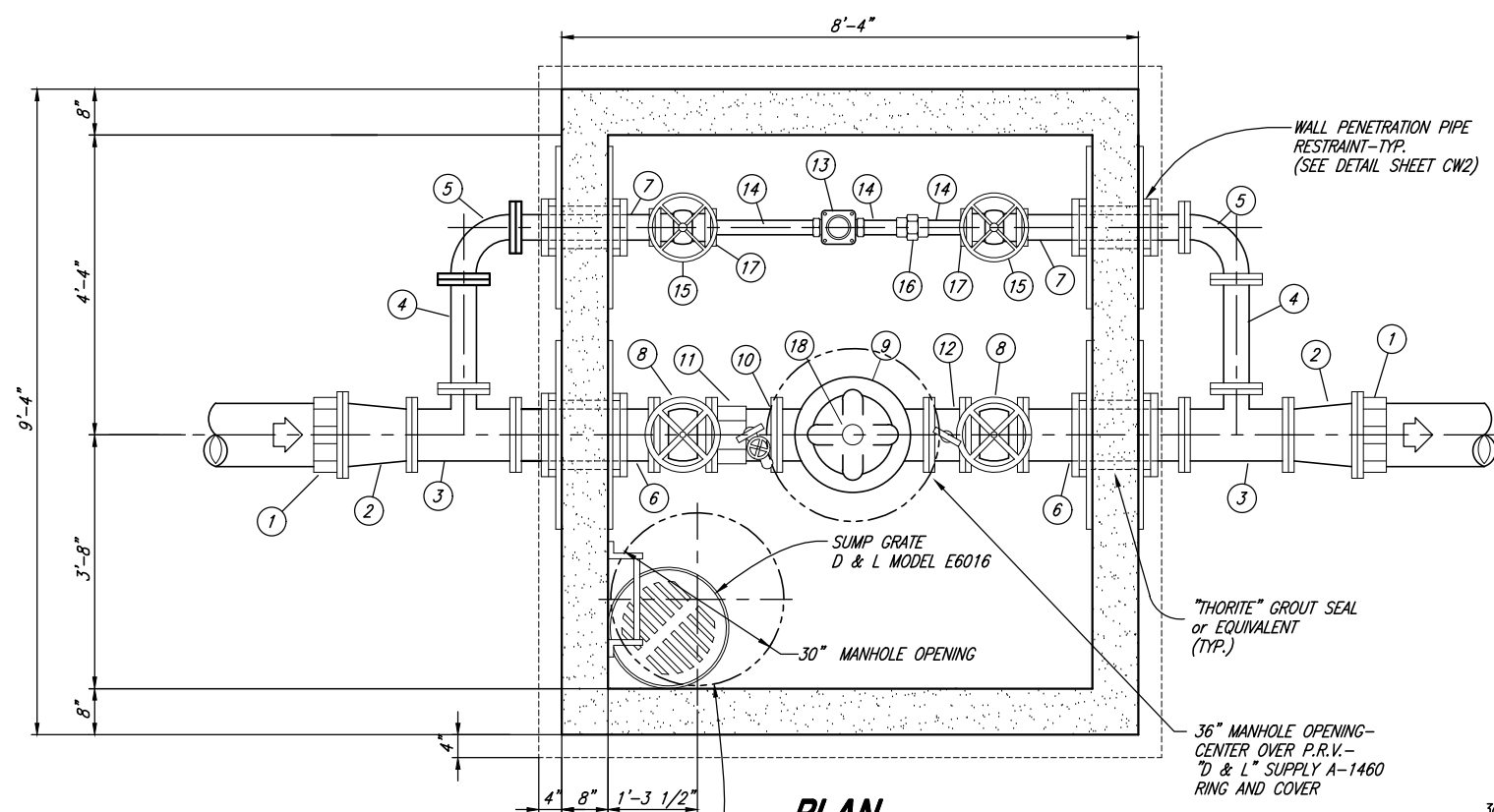
TREMONTON CITY CORPORATION
PUBLIC WORKS STANDARDS
TYPICAL WATER METER STATIONS

SHEET:
CW2
OF 39 SHEETS
0

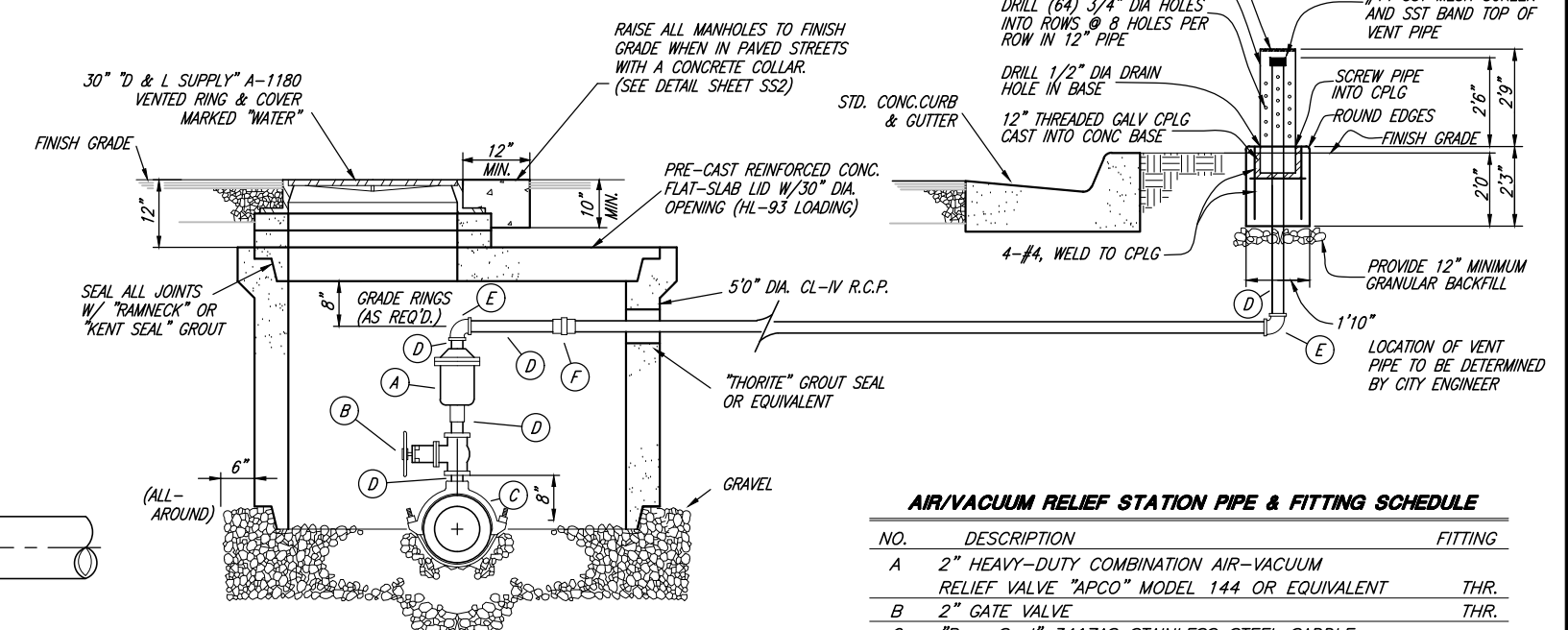
P.R.V. STATION PIPE & FITTING SCHEDULE

NO.	DESCRIPTION	JOINT TYPE	6"	8"	10"
			LINE	LINE	LINE
1	CAST FLANGED COUPLING ADAPTOR (2)	FLxPE	6"	8"	10"
2	REDUCER (2)	FL	6"x4"	8"x6"	10"x8"
3	REDUCING TEE (2)	FL	4"x4"x4"	6"x6"x4"	8"x8"x4"
4	SPOOL PIECE (2)	FL	4"	4"	4"
5	90° ELBOW (2)	FL	4"	4"	4"
6	WALL SPOOL PIECE (2)	FL	4"	6"	8"
7	WALL SPOOL PIECE (2)	FL	4"	4"	4"
8	GATE VALVE (2)	FL	4"	6"	8"
9	PRESSURE REDUCTION VALVE ("CLAYTON")	FL	4"	6"	8"
10	NIPPLE	FLxPE	4"	6"	8"
11	CAST FLANGED COUPLING ADAPTER	FLxPE	4"	6"	8"
12	SPOOL PIECE	FL	4"	6"	8"
13	PRESSURE REDUCTION VALVE ("CLAYTON")	FL	2"	2 1/2"	2 1/2"
14	GALVANIZED PIPE (3)	FL	2"	2 1/2"	2 1/2"
15	GATE VALVE (2)	FL	4"	4"	4"
16	GALVANIZED UNION	FL	2"	2 1/2"	2 1/2"
17	BLIND FLANGE W/THR. CONNECTION (2)	FL	4"x2"	4"x2 1/2"	4"x2 1/2"
18	ADJUSTABLE PIPE SUPPORT (CLOW F-1608 OR EQUIVALENT)	-	-	-	-

NOTE - STRUCTURE, PIPING & VALVE SIZES FOR P.R.V. STATIONS ON LINE SIZES GREATER THAN 10" SHALL BE SPECIFIED BY THE CITY ENGINEER.

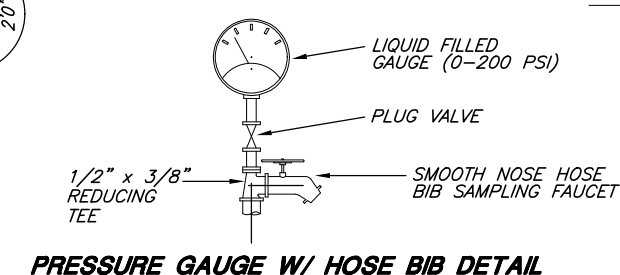


PRESSURE REDUCTION STATION



AIR/VACUUM RELIEF STATION PIPE & FITTING SCHEDULE

NO.	DESCRIPTION	FITTING
A	2" HEAVY-DUTY COMBINATION AIR-VACUUM RELIEF VALVE "APCO" MODEL 144 OR EQUIVALENT	THR.
B	2" GATE VALVE	THR.
C	"PowerSeal" 3417AS STAINLESS STEEL SADDLE	-
D	2" GALV. STEEL PIPE	THR.
E	2" GALV. STEEL 90° ELBOW	THR.
F	2" GALV. STEEL UNION	THR.



Chris L. Brenholt
PROJECT ENGINEER
JANUARY 2023
DATE

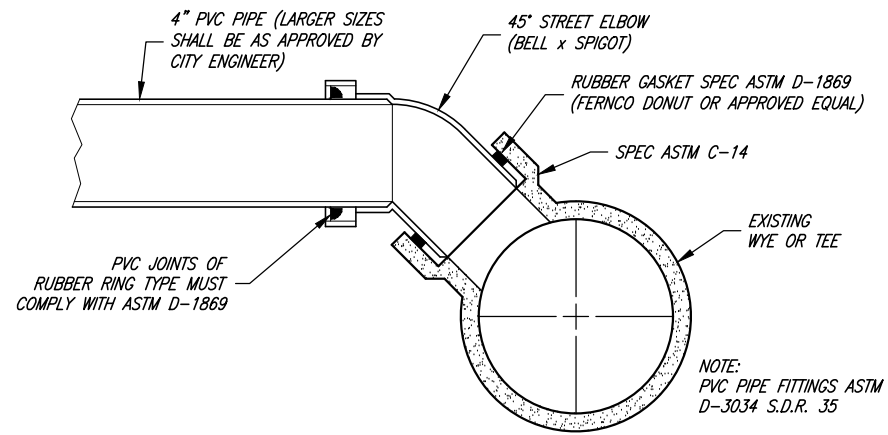
REV.	DATE	APPR.
1	NOV.09	CLB
		ADDED CONCRETE COLLAR

SCALE: N.T.S.
DESIGNED: BEB
DRAWN: BEB
CHECKED: CLB

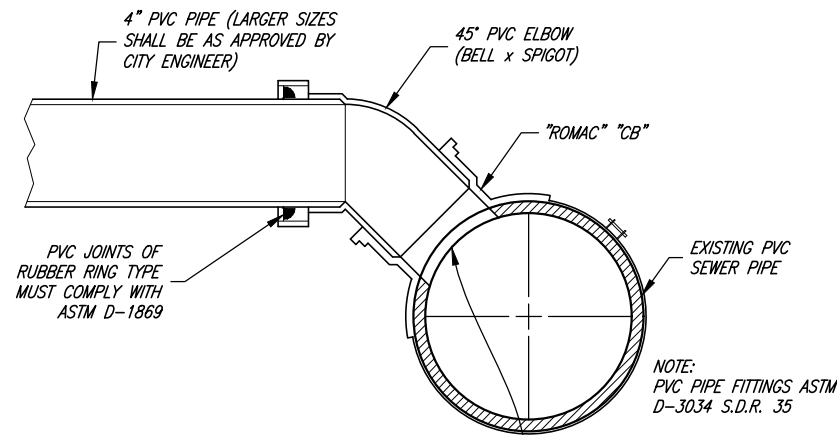
J.A. JONES & ASSOCIATES
CONSULTING ENGINEERS
6080 Fashion Point Drive
South Ogden, Utah 84403 (801) 476-9767
www.jonescivil.com

TREMONTON CITY CORPORATION
PUBLIC WORKS STANDARDS
P.R.V. STATION & AIR/VACUUM RELEASE STATION

SHEET: **CW3**
OF 23 SHEETS
0

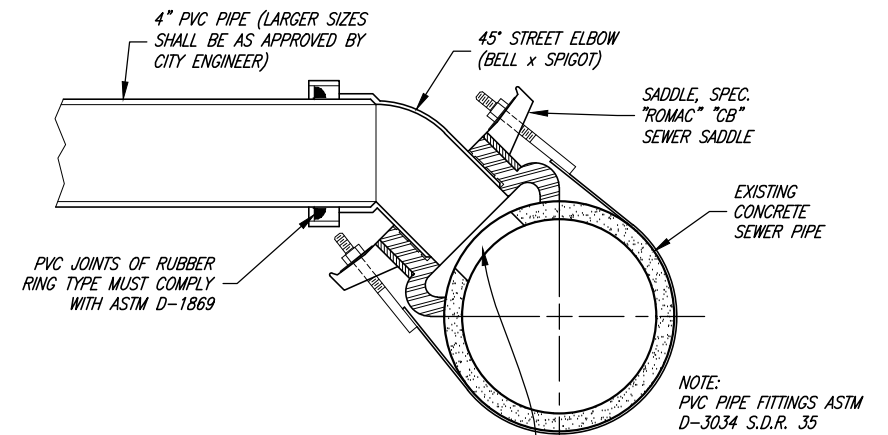


CONNECTING INTO EXISTING WYE OR TEE



TAPPING INTO EXISTING PVC PIPE

NEW SERVICES CONNECTED WITHOUT A WYE OR TEE ARE TO BE CUT WITH A HOLE SAW

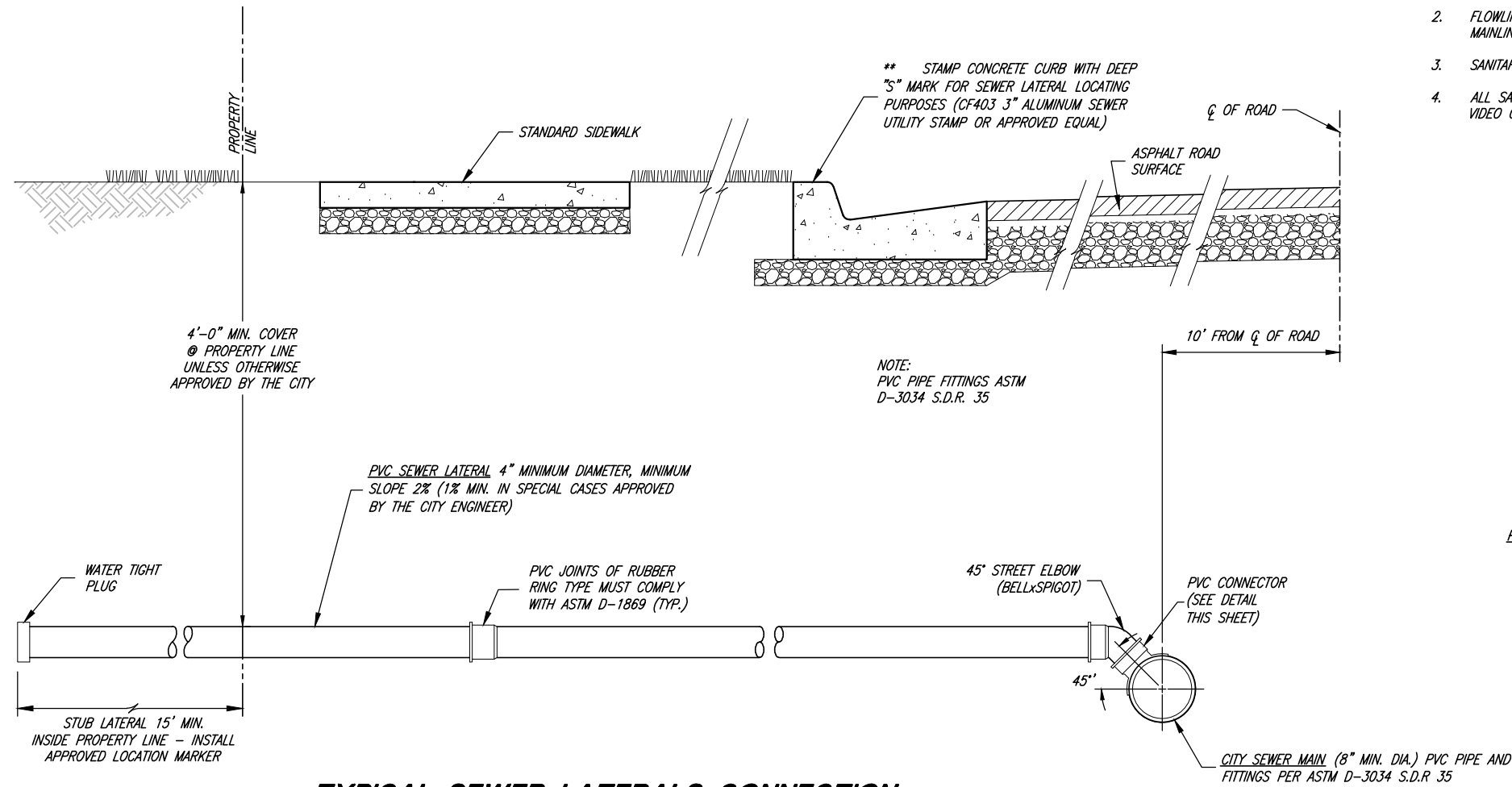


TAPPING INTO EXISTING CONCRETE PIPE

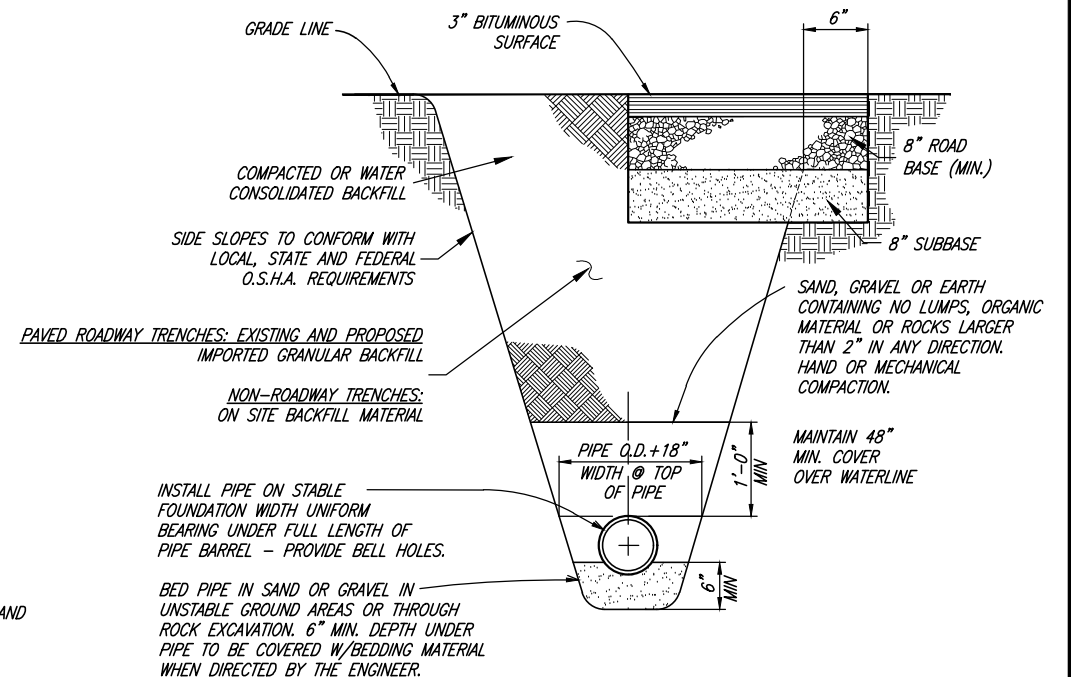
NEW SERVICES CONNECTED WITHOUT A WYE OR TEE ARE TO BE CORE DRILLED

GENERAL NOTES:

1. ALL SANITARY SEWER LATERAL CONNECTIONS ON SEWER MAINS IN NEW SUBDIVISIONS SHALL BE MADE WITH IN LINE PRE-FORMED WYES OR TEES UNLESS OTHERWISE APPROVED BY THE CITY ENGINEER.
2. FLOWLINE ELEVATION OF LATERALS SHALL EQUAL THE INSIDE TOP OF PIPE ON MAINLINE AT THE CONNECTING POINT.
3. SANITARY SEWER PIPES SHALL BE WHITE OR GREEN IN COLOR.
4. ALL SANITARY SEWER LINES SHALL BE AIR TESTED AND INSPECTED BY MEANS OF VIDEO CAMERA WHEN CONSTRUCTED.



TYPICAL SEWER LATERALS CONNECTION



TYPICAL TRENCH SECTION



Chris L. Brenholt
PROJECT ENGINEER
JANUARY 2023
DATE

REV.	DATE	APPR.	DESCRIPTION
1	NOV.09	CLB	REMOVED RESPONSIBILITY NOTE
2	NOV.09	BEB	ADD SEWER CLEANOUT W/ LOCATOR DISK ON TYP SEWER LATERALS
3	FEB.17	BEB	ADDED CURB SEWER STAMP NOTE TO SERVICE CONNECTION DETAIL

SCALE:
N.T.S.

DESIGNED BEB
DRAWN BEB
CHECKED CLB



CONSULTING ENGINEERS
6080 Fashion Point Drive
South Ogden, Utah 84403 (801) 476-9767
www.jonescivil.com

TREMONTON CITY CORPORATION
PUBLIC WORKS STANDARDS

SANITARY SEWER DETAILS

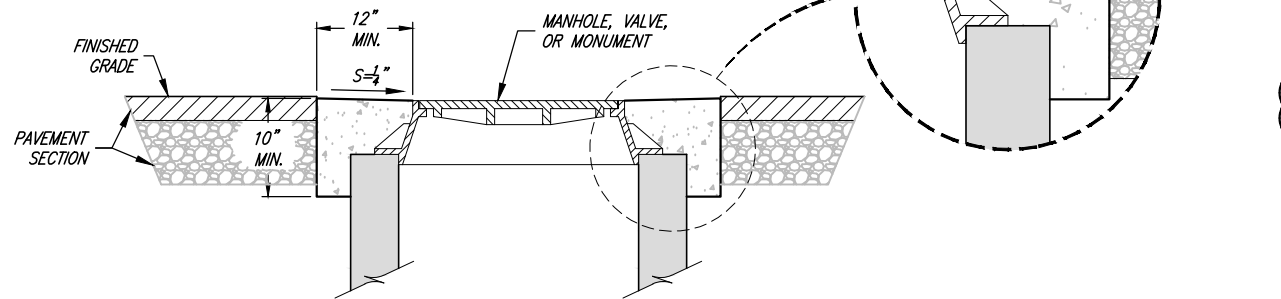
SHEET:

SS1

OF 39 SHEETS
0

CONCRETE COLLAR NOTES:

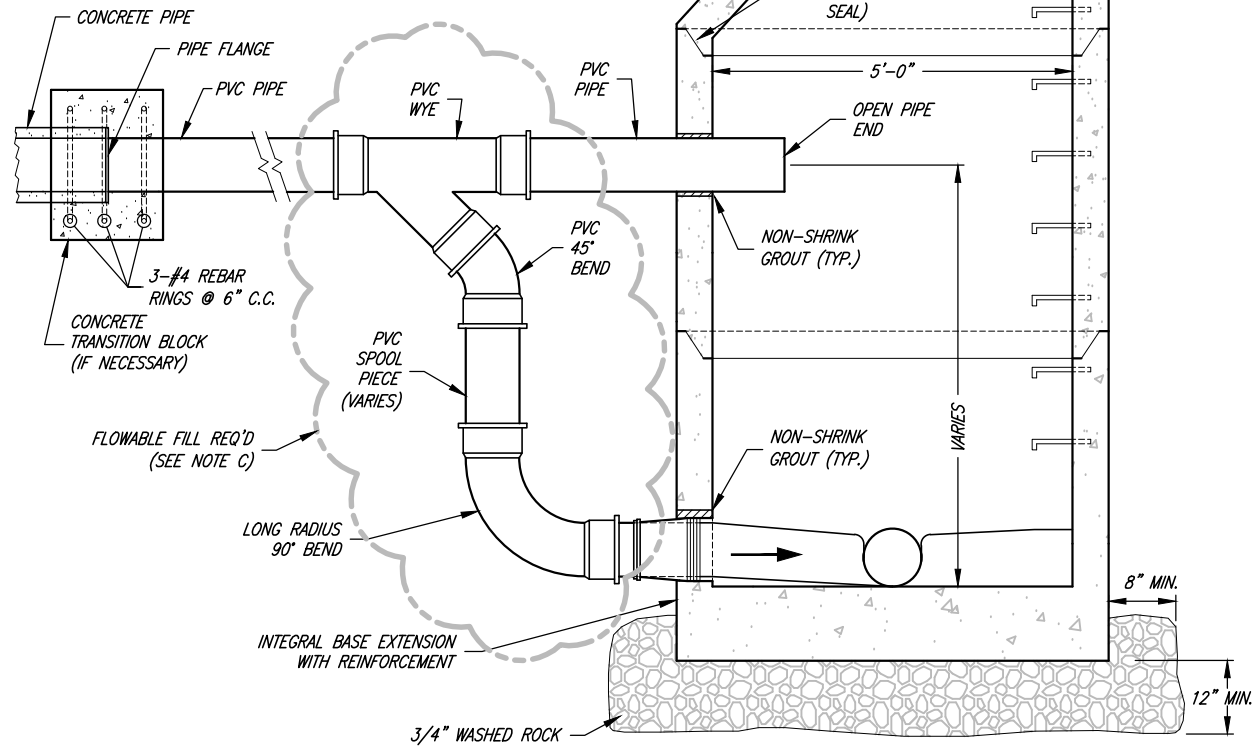
- A1. ALL CONCRETE COLLARS TO BE INSTALLED WITHIN 14 DAYS AFTER PAVING.
- B1. COLLARS AROUND MANHOLES AND CULINARY WATER VALVES ARE TO BE ROUND.
- C1. COLLARS AROUND IRRIGATION VALVES ARE TO BE SQUARE.



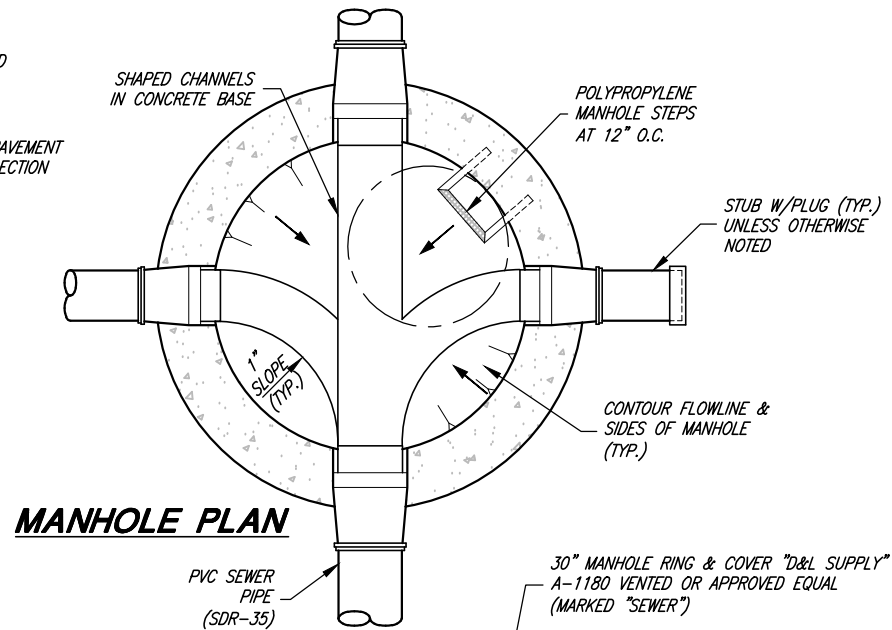
CONCRETE COLLAR DETAIL

DROP MANHOLE NOTES:

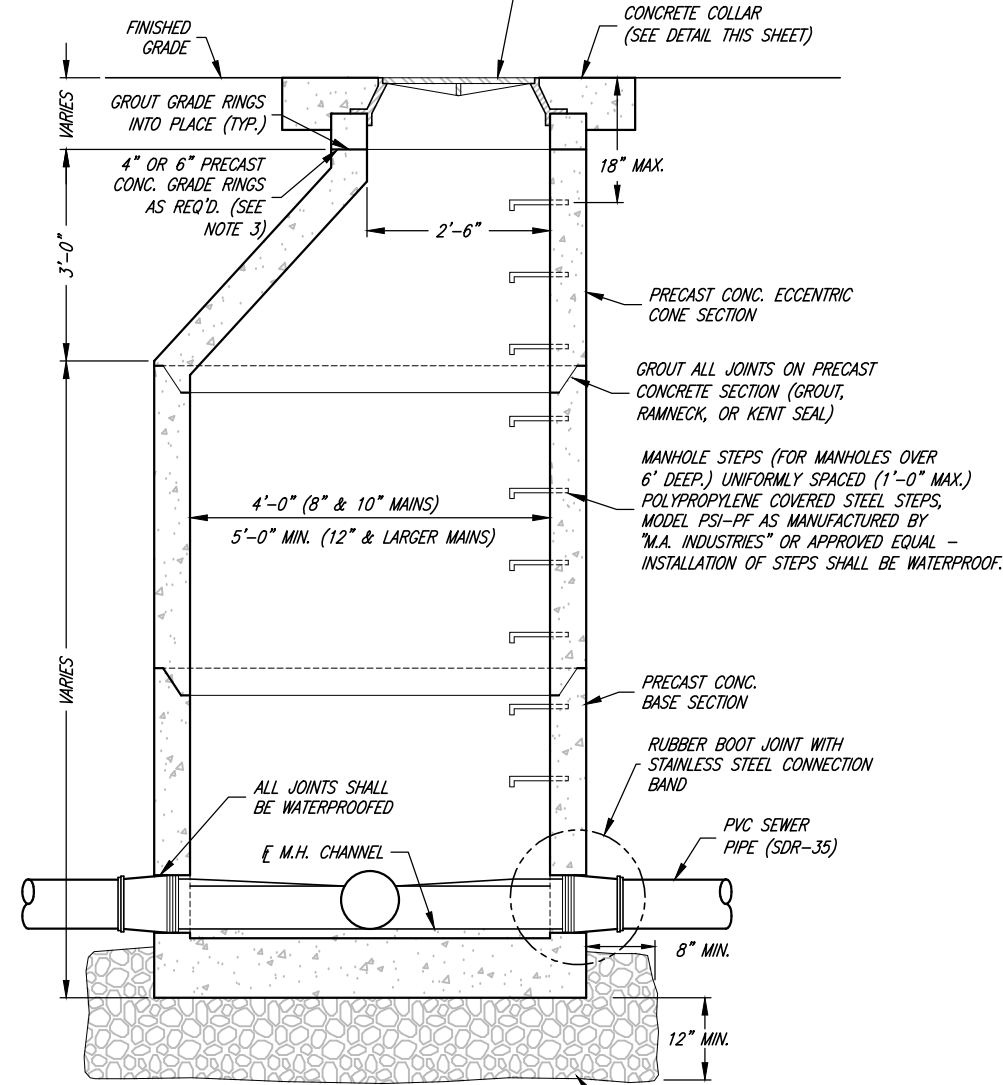
- A. USE DROP MANHOLE ONLY WHEN DROP EXCEEDS 2'-0". (UAC R317-3)
- B. DROP MANHOLE SHALL CONSIST OF ASTM D3034 SDR 35 PVC PIPE WITH SDR 35 PVC GASKETED FITTINGS.
- C. DUE TO THE UNEQUAL EARTH PRESSURES THAT WOULD RESULT FROM THE BACKFILLING OPERATION IN THE VICINITY OF THE MANHOLE, THE ENTIRE OUTSIDE DROP CONNECTIONS SHALL BE ENCASED IN FLOWABLE FILL. (UAC R317-3)



TYPICAL DROP MANHOLE SECTION



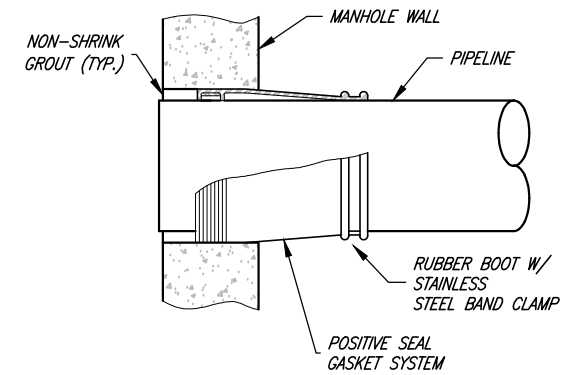
MANHOLE PLAN



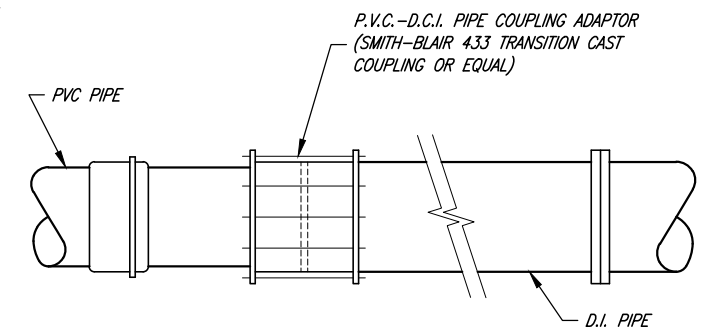
TYPICAL MANHOLE SECTION

GENERAL NOTES:

- 1. SECURE INVERTS IN ALL MANHOLES DURING CONSTRUCTION SO AS TO PREVENT GRAVEL AND OTHER DEBRIS FROM COLLECTING INSIDE.
- 2. A LARGER DIAMETER MANHOLE MAY BE REQUIRED BY THE DESIGN ENGINEER AFTER EVALUATION OF THE NUMBER, SIZE, AND ANGLE OF THE PIPES THAT CONNECT TO THE MANHOLE.
- 3. NO MORE THAN 12" OF GRADE RINGS TO BE ALLOWED ON ANY MANHOLE.
- 4. ALL TERMINATING SEWER MAINS SHALL END WITH A CITY STANDARD MANHOLE.
- 5. SERVICE LATERAL CONNECTIONS SHALL NOT BE ALLOWED IN SEWER MANHOLES.
- 6. ALL SANITARY SEWER LINES SHALL BE INSPECTED BY MEANS OF VIDEO CAMERA & AIR TESTED WHEN CONSTRUCTED.
- 7. ALL SEWER MANHOLE COVERS TO BE VENTED UNLESS OTHERWISE NOTED.



RUBBER BOOT DETAIL



TYPICAL D.I. PIPE TO PVC PIPE CONNECTION



Chris L. Bumbolt
PROJECT ENGINEER
JANUARY 2023
DATE

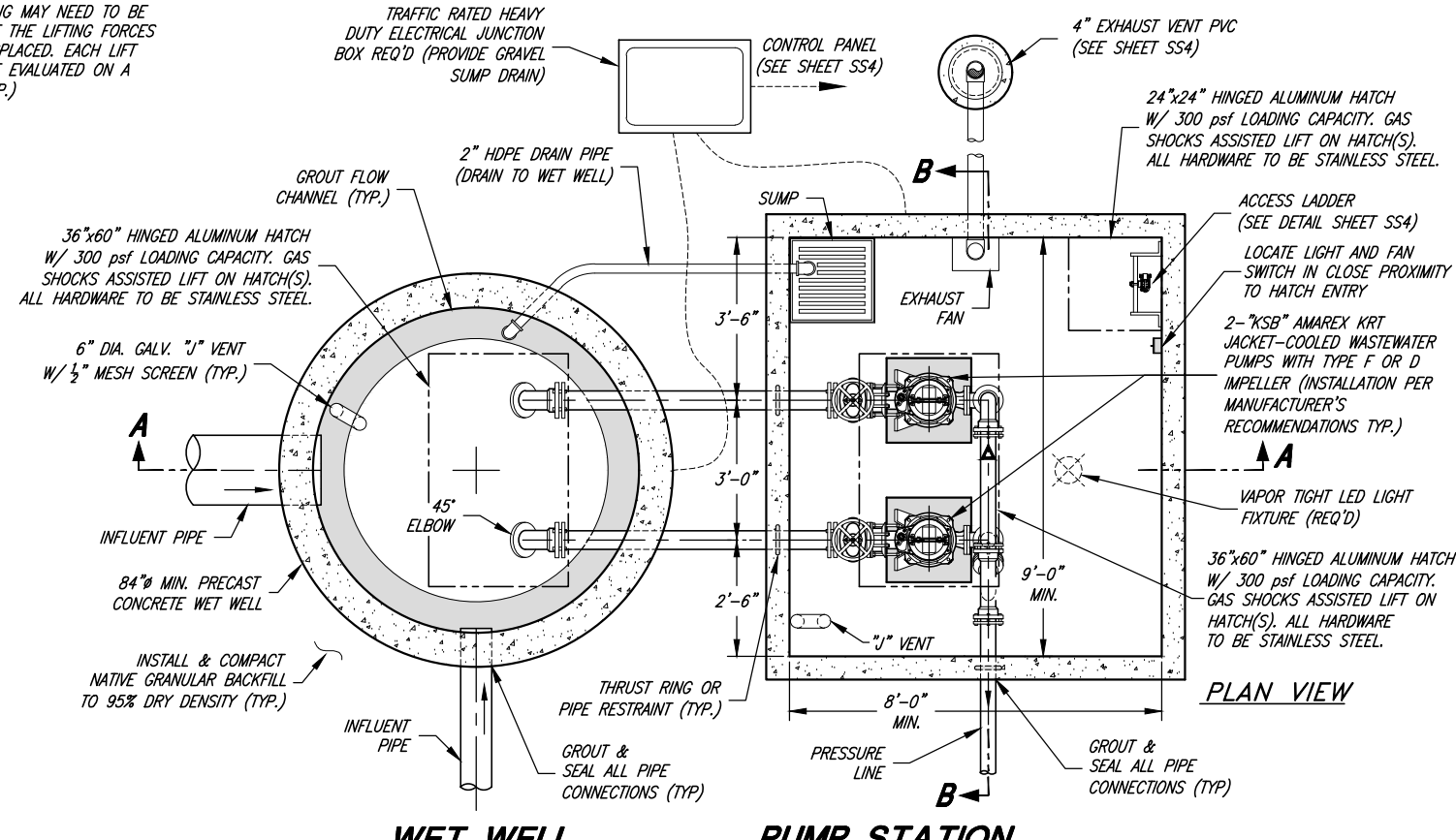
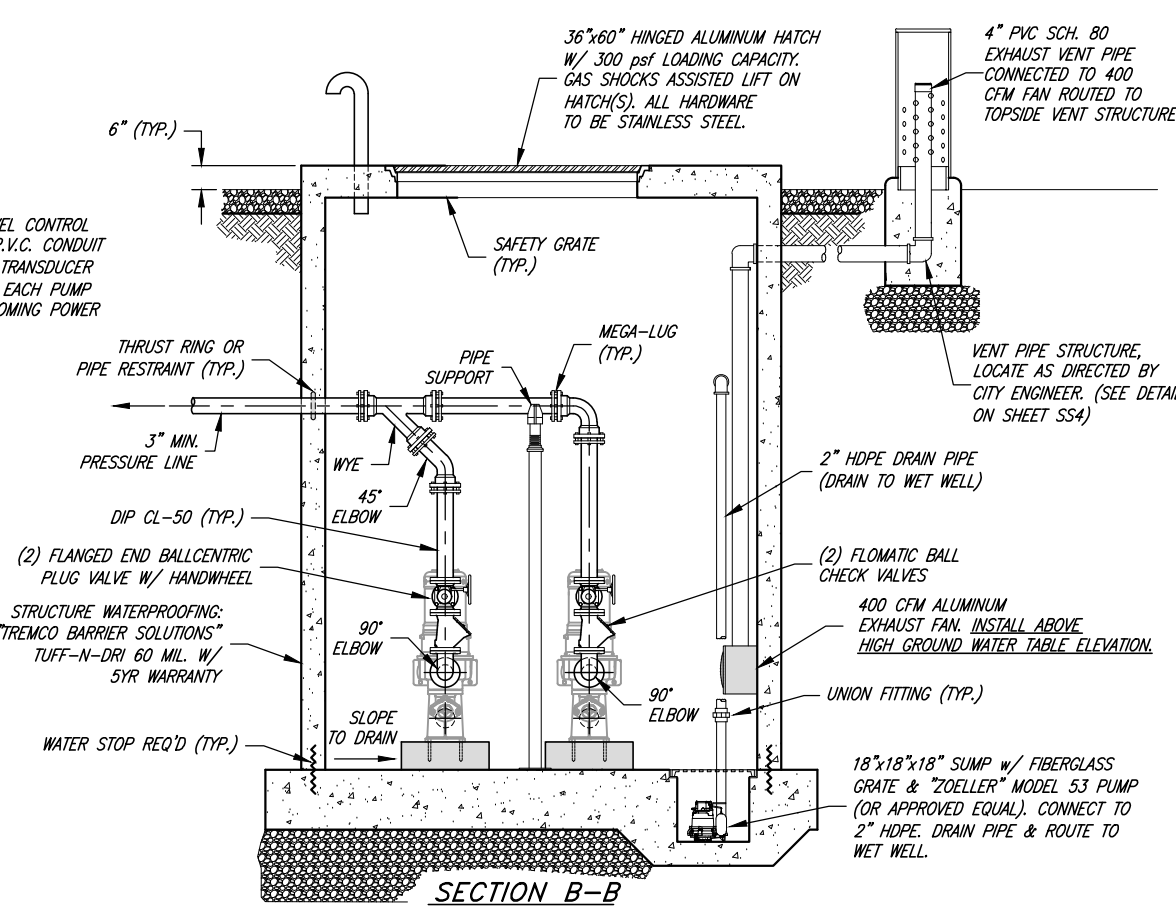
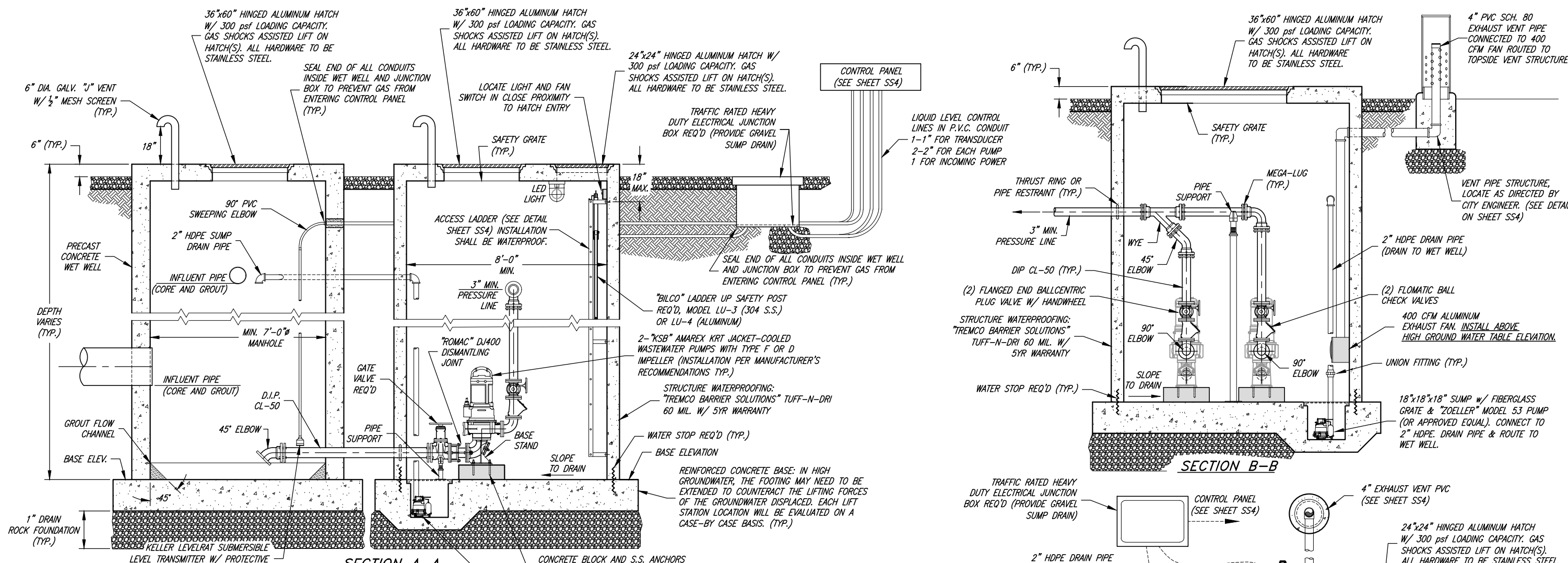
REV.	DATE	APPR.	DESCRIPTION
1	NOV.09	CLB	ADDED CONCRETE COLLAR

SCALE:
N.T.S.
DESIGNED: BEB
DRAWN: BEB
CHECKED: CLB

J.A. JONES & ASSOCIATES
CONSULTING ENGINEERS
6080 Fashion Point Drive
South Ogden, Utah 84403 (801) 476-9767
www.jonescivil.com

TREMONTON CITY CORPORATION
PUBLIC WORKS STANDARDS
SANITARY SEWER MANHOLE DETAILS

SHEET:
SS2
OF 39 SHEETS
0



- GENERAL NOTES:**
- 1) 14 GAUGE TRACER WIRE REQUIRED ON PRESSURE LINE EVERY 400-500 FT W/ ACCESS BOX INSTALLED
 - 2) CORROSION PROTECTION REQUIREMENTS: STAINLESS BOLT KITS REQUIRED ON ALL FLANGES WITHIN THE STRUCTURE.
 - 3) ALL VAULT PIPE JOINTS ARE TO HAVE AN APPROVED WATERTIGHT SEAL.
 - 4) ALL FITTINGS OUTSIDE OF THE STRUCTURE ARE TO BE DUCTILE IRON MJ WITH THRUST RESTRAINT RETAINER GLANDS ("ROMAC", MJRG, OR APPROVED EQUAL).
 - 5) ALL FITTINGS INSIDE OF THE STRUCTURE ARE TO BE THRUST RESTRAINED WITH FLANGE JOINTS OR MECHANICAL THRUST RESTRAINT AS NOTED IN NOTE 4.
 - 6) THE PRECAST VAULT MANUFACTURER IS RESPONSIBLE FOR DESIGN RELATED TO HL-93 TRAFFIC LOADING AND THRUST. VERIFICATION OF PROPER DESIGN MUST BE PROVIDED TO THE CITY BY THE CONTRACTOR.
 - 7) ALL PIPING AND FITTINGS INSIDE OF THE PUMP VAULT WILL BE PAINTED. COLOR TO BE APPROVED BY THE CITY.
 - 8) PUMPS WILL BE SIZED SO THAT A SINGLE PUMP WILL HANDLE THE PEAK EXPECTED FLOW RATE. OPERATION OF THE PUMPS WILL ALTERNATE BETWEEN THE TWO PUMPS.
 - 9) ELECTRICAL WORK WILL BE COORDINATED WITH THE CITY'S CONTRACTED ELECTRICIAN.
 - 10) PIPING WILL BE SIZED TO MAINTAIN A MINIMUM 2 FT/SEC VELOCITY.
 - 11) PRECAST CONCRETE STRUCTURE CAN BE REPLACED WITH A CAST-IN-PLACE CONCRETE VAULT. SUBMIT ENGINEERED CONSTRUCTION PLANS WITH REBAR DETAILS TO CITY ENGINEER FOR REVIEW AND ACCEPTANCE PRIOR TO CONSTRUCTION.
 - 12) VAULT SHALL BE SUPPLIED WITH POWER FOR ALL EQUIPMENT, WHETHER SHOWN AND/OR NOTED, FOR A COMPLETE AND OPERABLE INSTALLATION.
 - 13) EXHAUST FAN AND AIR INTAKE AND EXHAUST PIPING SHALL BE ADEQUATELY SIZED TO PROVIDE THE REQUIRED NUMBER OF AIR EXCHANGES IN ACCORDANCE WITH THE GOVERNING CODE.
 - 14) PUMPS MUST BE SIZED TO HANDLE A 3" MINIMUM DIAMETER SPHERE.

NOTE:
THE SPECIFIED DETAILS ON THESE DRAWINGS ARE CITY STANDARDS. HOWEVER, THE DESIGN OF SEWER LIFT STATIONS AND SPECIFIC COMPONENTS SPECIFIED SHALL BE ON A CASE-BY-CASE BASIS AS APPROVED BY TREMONTON CITY AND THE CITY ENGINEER.

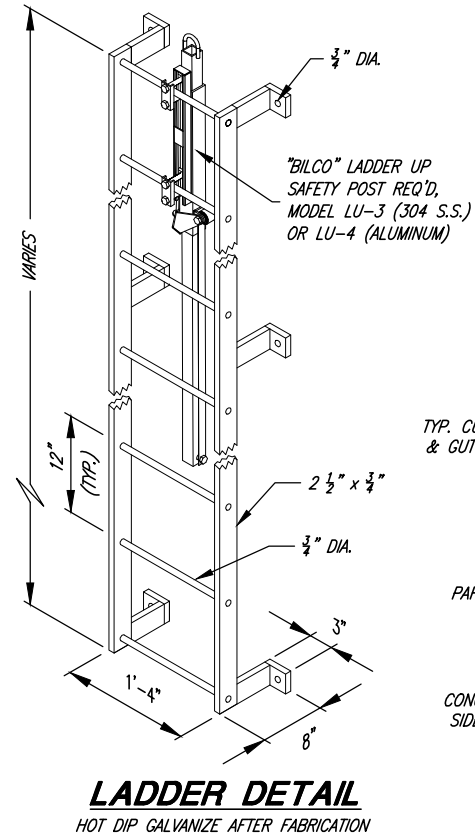
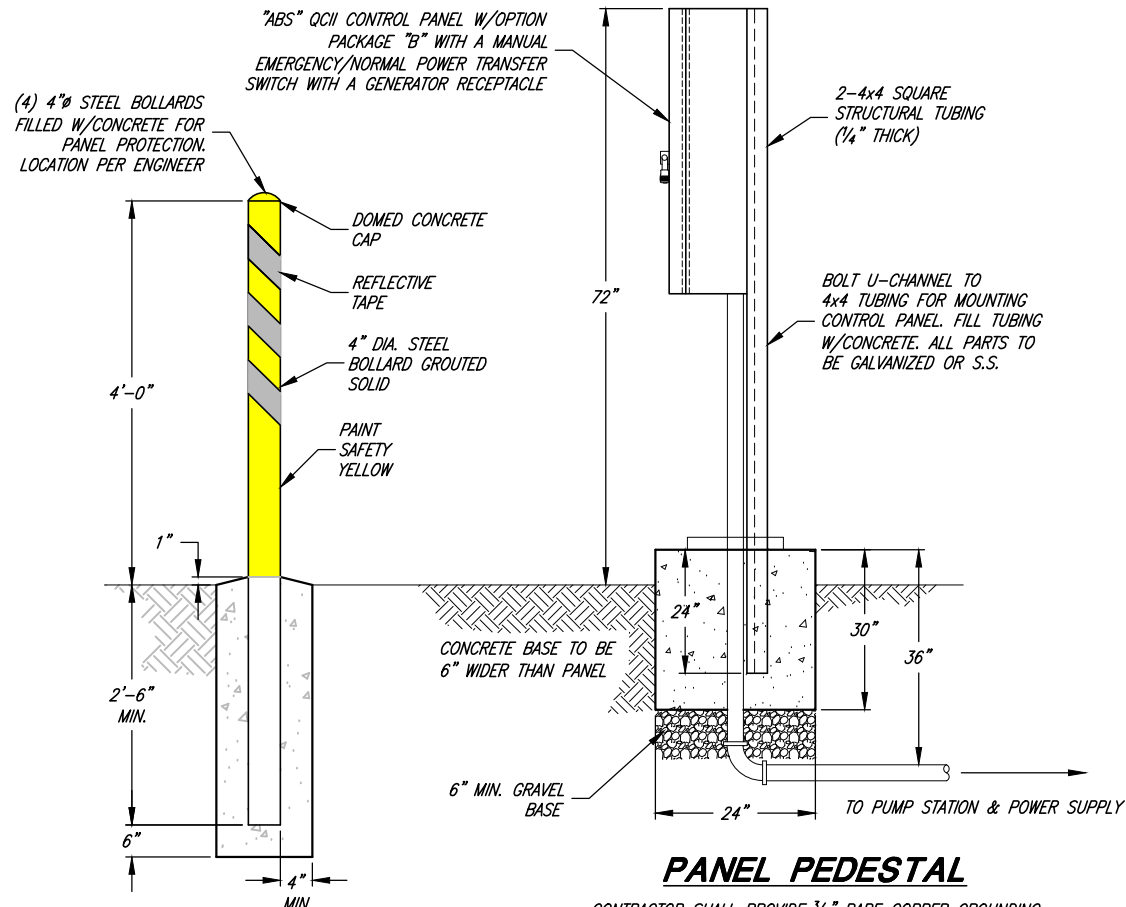


1	AUG.22	CLB	ADDED PRESSURE SEWER LIFT STATION DETAILS TO CITY STANDARDS
REV.	DATE	APPR.	

SCALE: N.T.S.
DESIGNED: BEB
DRAWN: BEB
CHECKED: CLB

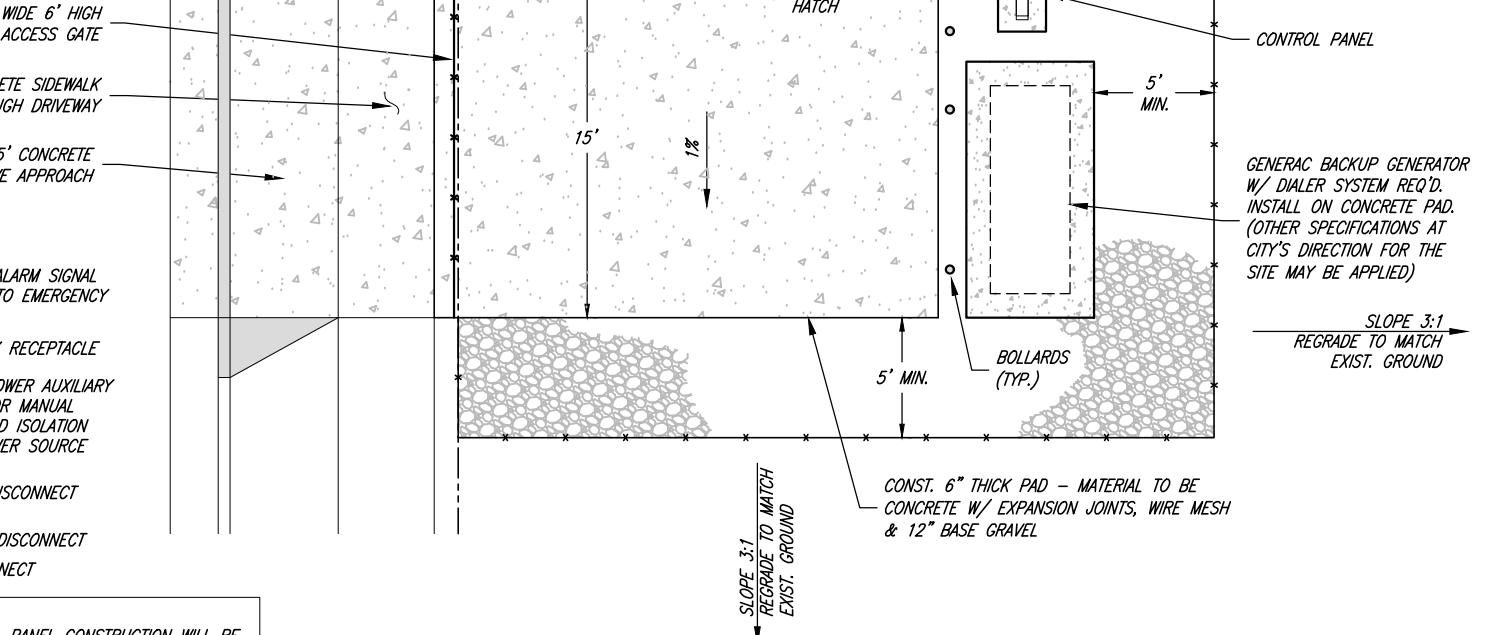
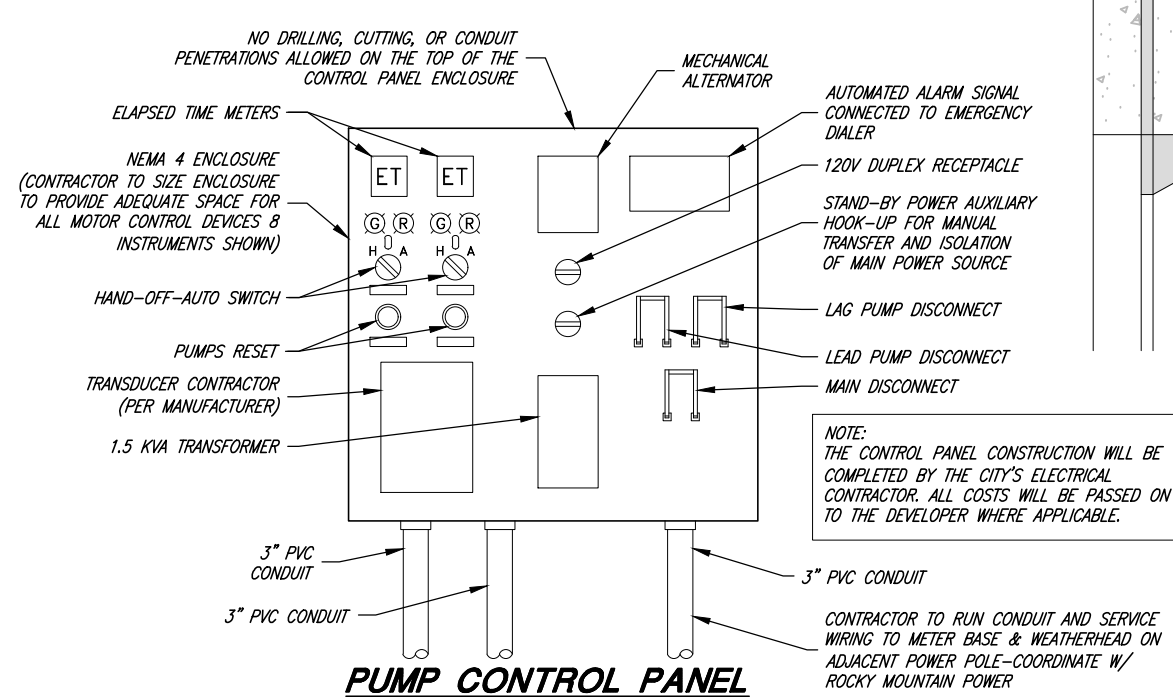
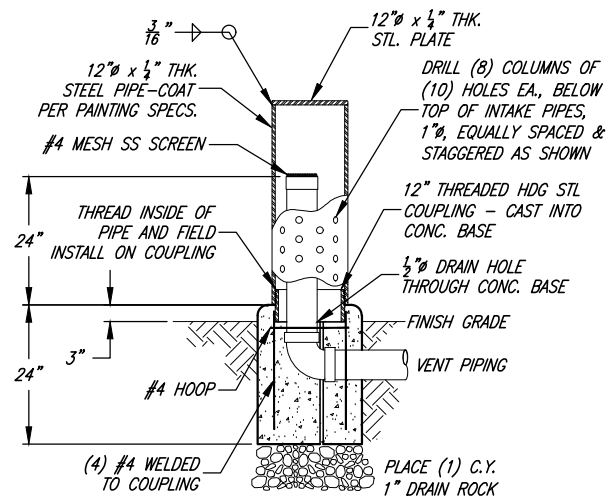
JA JONES & ASSOCIATES
CONSULTING ENGINEERS
6080 Fashion Point Drive
South Ogden, Utah 84403 (801) 476-9767
www.jonescivil.com

TREMONTON CITY CORPORATION
PUBLIC WORKS STANDARDS
SS3
TYPICAL SEWER LIFT STATION
OF 39 SHEETS
0



BOLLARD DETAIL

PROVIDE 4 STEEL BOLLARDS TO PROTECT PUMP CONTROL PANEL. PLACE IN FRONT OF PEDESTAL AS SHOWN IN THE DETAIL ON THIS SHEET.



1	AUG.22	CLB	ADDED PRESSURE SEWER LIFT STATION DETAILS TO CITY STANDARDS

SCALE:
N. T.S.

DESIGNED BEB
DRAWN BEB
CHECKED CLB



JONES & ASSOCIATES
CONSULTING ENGINEERS
6080 Fashion Point Drive
South Ogden, Utah 84403 (801) 476-9767
www.jonescivil.com

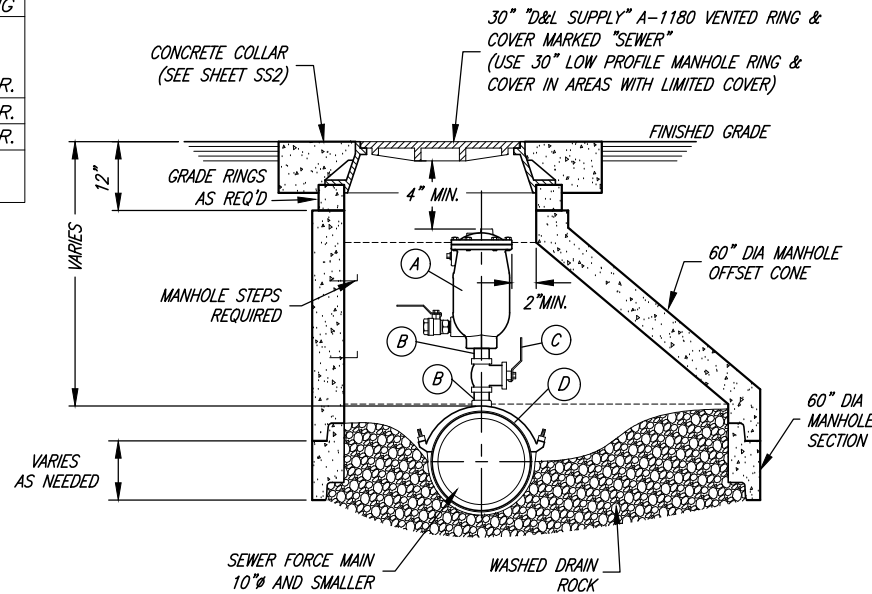
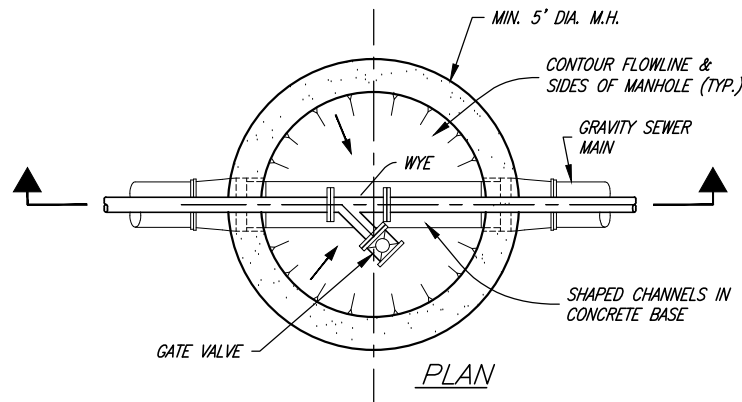
TREMONTON CITY CORPORATION
PUBLIC WORKS STANDARDS
TYPICAL SEWER LIFT STATION SITE PLAN AND CONTROL PANEL DETAILS

SHEET:
SS4
OF 39 SHEETS
0

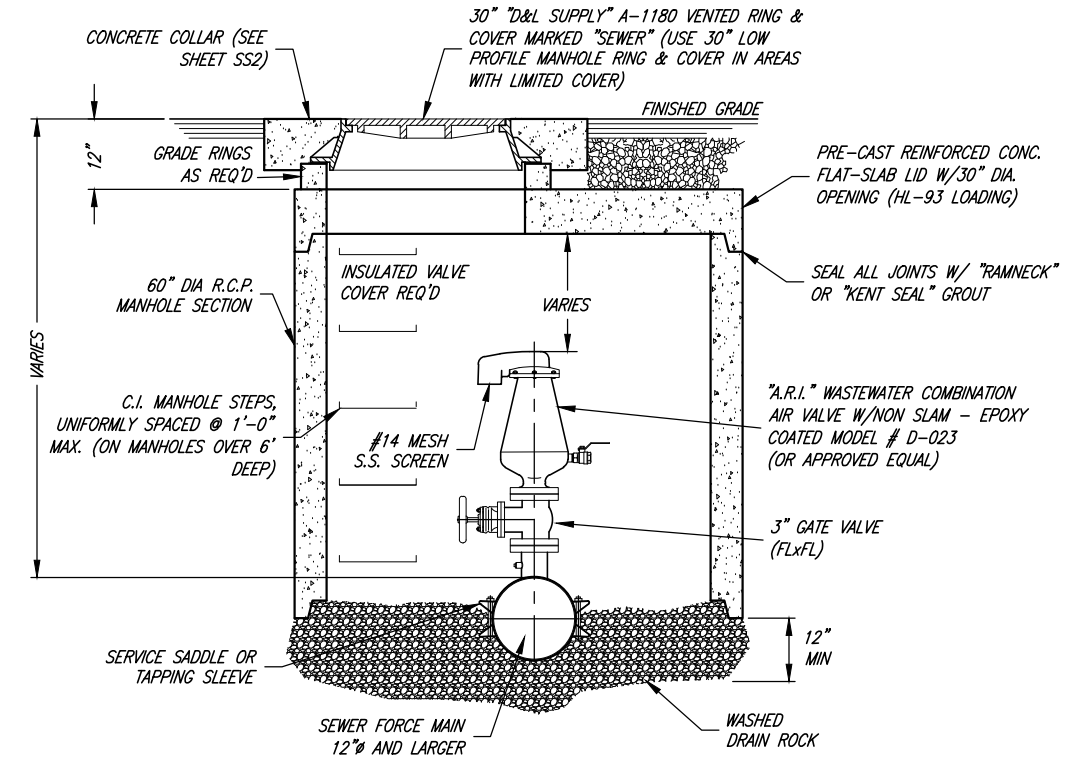
PIPE & FITTING SCHEDULE

NO.	DESCRIPTION	FITTING
A	2" WASTEWATER AIR RELEASE VALVE "VAL MATIC" MODEL # 49A W/ OPTIONAL VACUUM CHECK ON THE OUTLET	THR.
B	2" BRASS PIPE	THR.
C	2" BALL VALVE (1/4 TURN 200 PSI MIN.)	THR.
D	2" NYLON COATED SERVICE SADDLE W/ STAINLESS STEEL STRAPS "ROMAC" MODEL # 202NS	

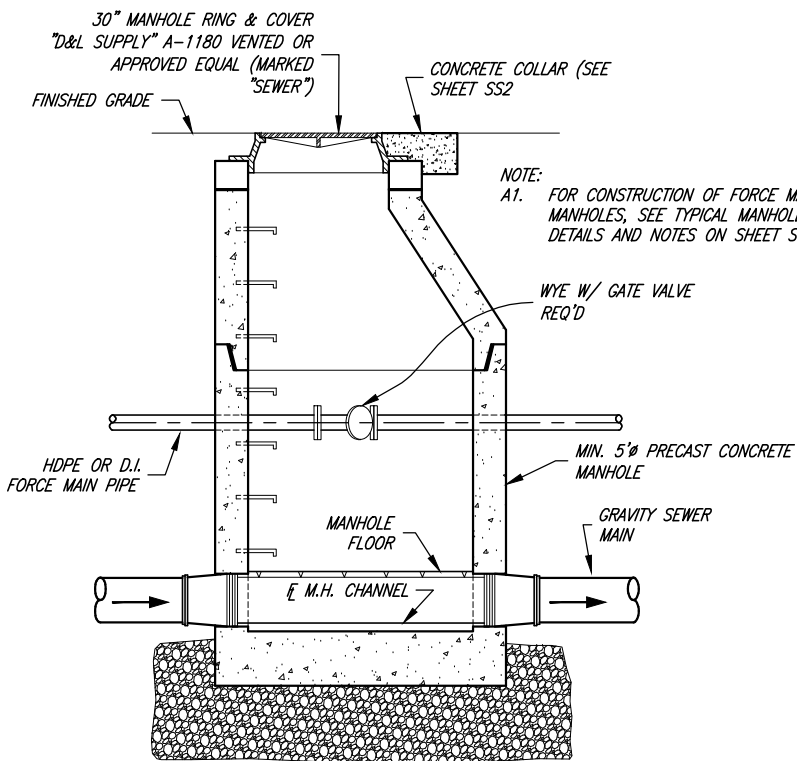
NOTES:
1. WHERE SEWAGE WATER QUALITY IS ADEQUATE AS DICTATED BY THE CITY ENGINEER, AN A.R.I. D040 OR APPROVED EQUAL VALVE MAY BE SPECIFIED.



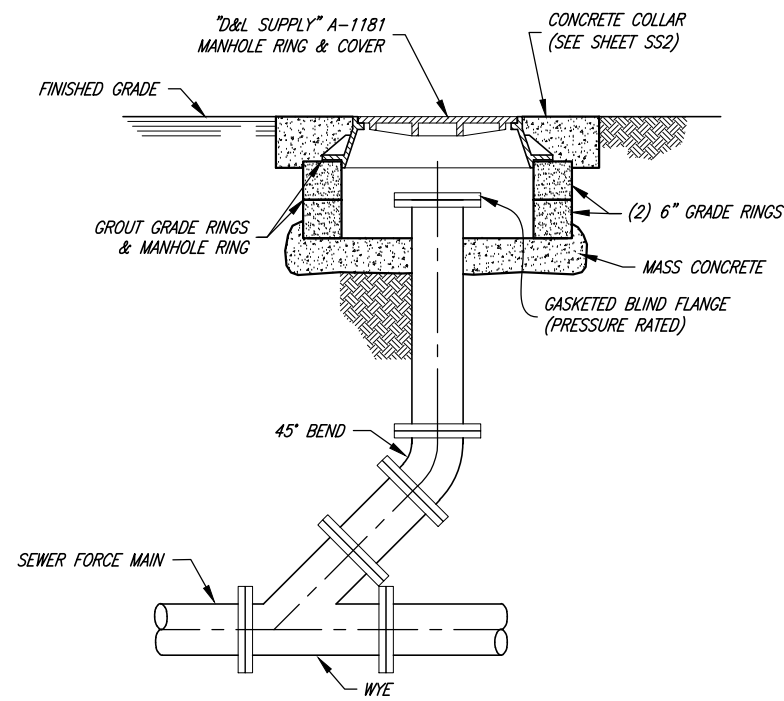
TYPICAL 2" WASTEWATER AIR RELEASE VALVE STATION
10" MAINS AND UNDER



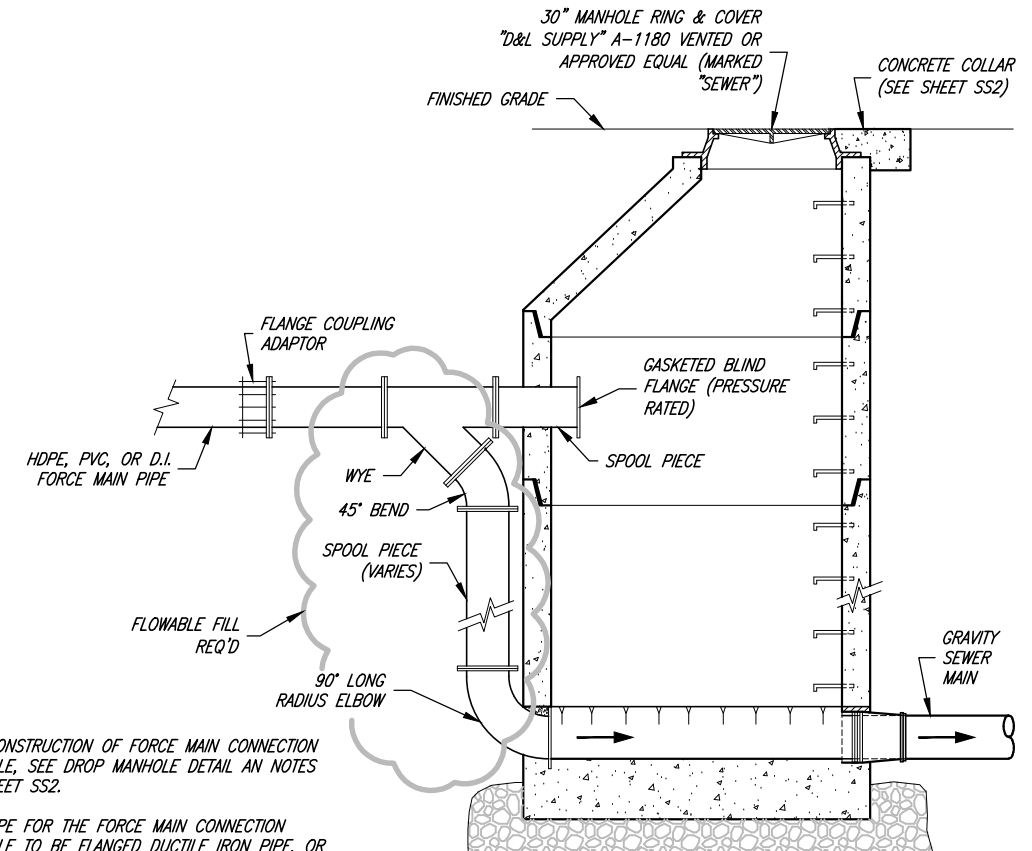
TYPICAL 3" WASTEWATER AIR/VACUUM RELIEF STATION
12" MAINS AND LARGER



FORCE MAIN CLEANOUT MANHOLE
WHERE SPECIFIED BY THE WASTEWATER TREATMENT DIVISION



STANDARD SEWER FORCE MAIN CLEANOUT
4" TO 12" MAINS



NOTES:
B1. FOR CONSTRUCTION OF FORCE MAIN CONNECTION MANHOLE, SEE DROP MANHOLE DETAIL AND NOTES ON SHEET SS2.
B2. ALL PIPE FOR THE FORCE MAIN CONNECTION MANHOLE TO BE FLANGED DUCTILE IRON PIPE, OR PRESSURE RATED PVC AS SPECIFIED BY A LICENSED PROFESSIONAL ENGINEER.

FORCE MAIN CONNECTION MANHOLE
FORCE MAIN CONNECTION TO GRAVITY SEWER SYSTEM



Chris L. Brenholt
PROJECT ENGINEER
JANUARY 2023
DATE

REV.	DATE	APPR.
1	AUG.22	CLB

SCALE:
N.T.S.

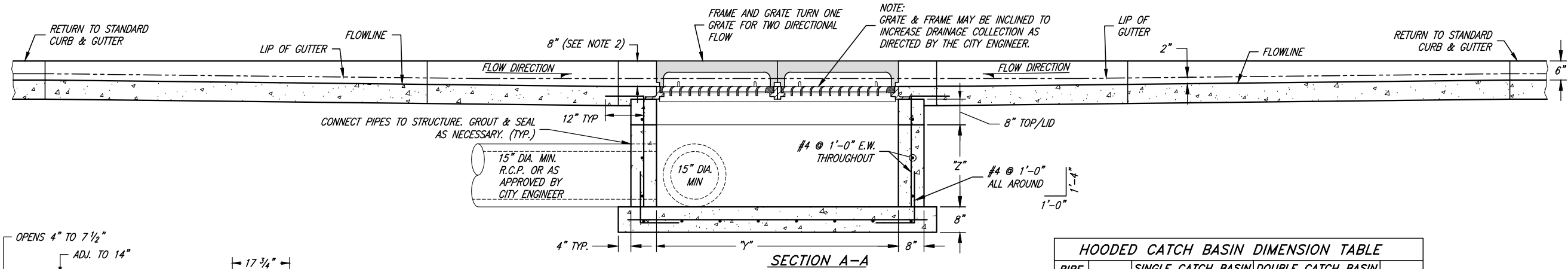
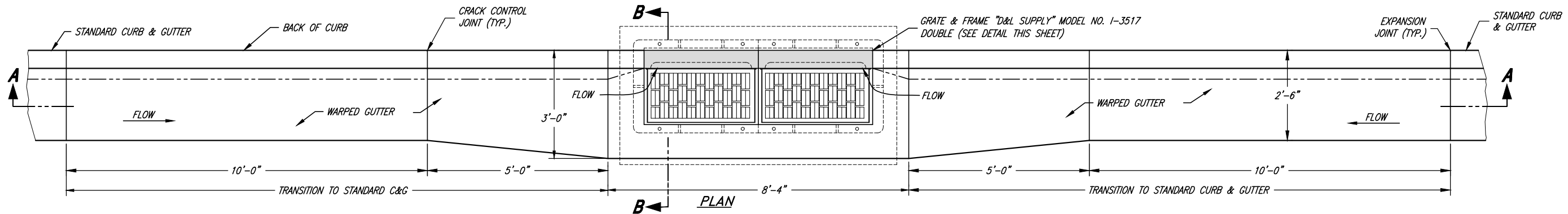
DESIGNED: BEB
DRAWN: BEB
CHECKED: CLB



JONES & ASSOCIATES
CONSULTING ENGINEERS
6080 Fashion Point Drive
South Ogden, Utah 84403 (801) 476-9767
www.jonescivil.com

TREMONTON CITY CORPORATION
PUBLIC WORKS STANDARDS
SEWER FORCE MAIN DETAILS

SHEET:
SS5
OF 39 SHEETS
0

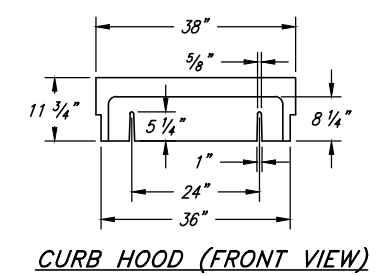
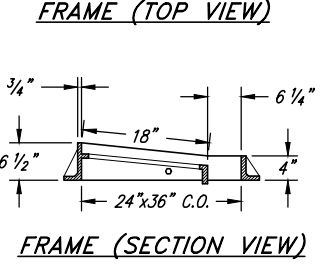
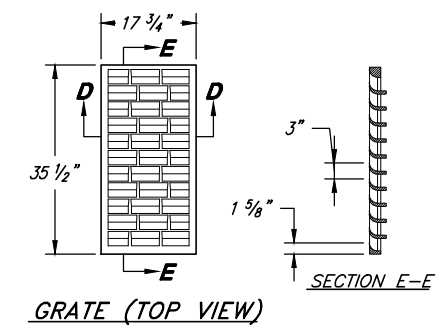
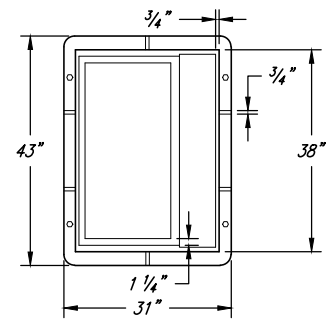
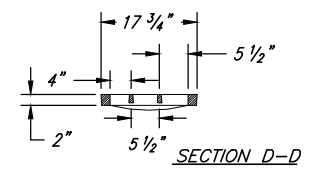
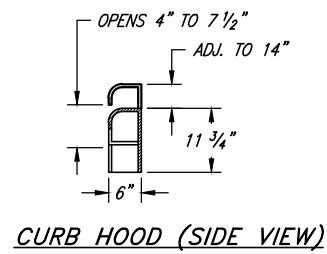
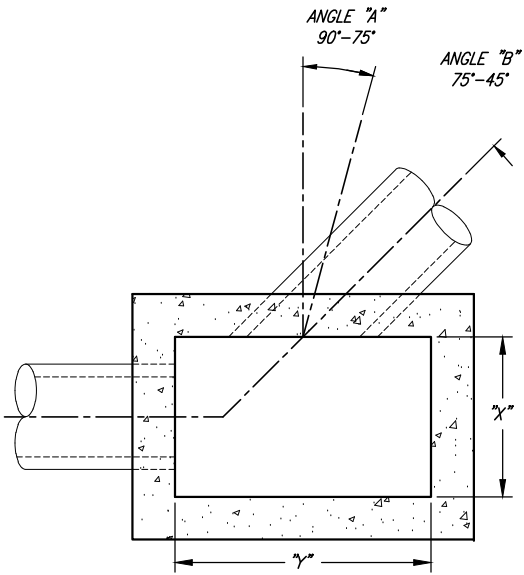


DOUBLE HOODED CATCH BASIN

- GENERAL NOTES:**
- ALL CATCH BASIN BOX SIZES REFLECT DIMENSIONS FOR THE MINIMUM 15" PIPE SIZE. BOX DIMENSIONS MUST INCREASE PROPORTIONALLY TO ACCOMMODATE LARGER PIPE SIZES.
 - DEPTH MAY VARY FROM 6" TO 10" AS DIRECTED BY THE CITY ENGINEER.
 - CAST-IN-PLACE CONCRETE CATCH BASINS CAN BE REPLACED WITH PRECAST CONCRETE CATCH BASINS WITH HL-93 DECK LOADING AND COMPARABLE SIZE.
 - ALL BOXES SHALL BE FORMED ON THE INSIDE AND OUTSIDE OF THE BOX AND INSPECTED BY THE CITY PRIOR TO THE PLACING OF CONCRETE.
 - DOUBLE CATCH BASINS WILL BE REQUIRED IN LOCATIONS SPECIFIED BY THE CITY ENGINEER (TYPICALLY IN LOW SPOTS OR WHERE ADDITIONAL INLET CAPACITY IS NEEDED).
 - STORM DRAIN LINES SHALL BE 15 INCH MINIMUM DIAMETER REINFORCED CONCRETE PIPE (RCP), OF APPROPRIATE CLASS.
 - ALTERNATE STRUCTURE (E.G. COMBO BOXES) MAY BE USED WITH APPROVAL OF THE CITY ENGINEER. STRUCTURES SHALL FOLLOW APWA STANDARD PLANS AND BE A COMMON SIZE.

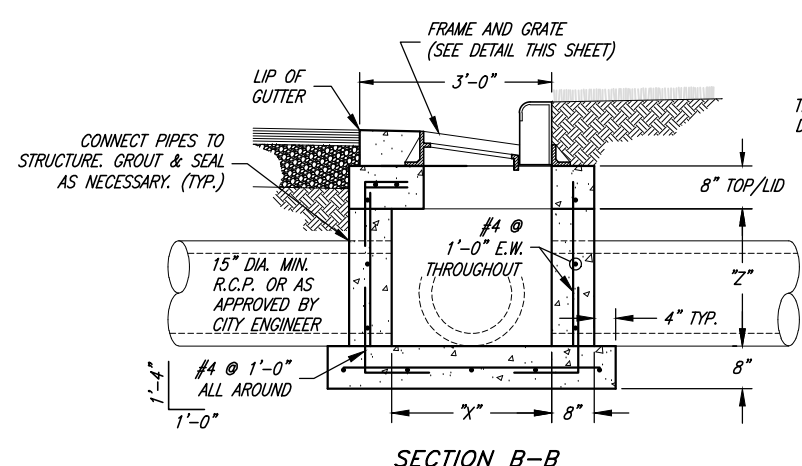
HOODED CATCH BASIN DIMENSION TABLE

PIPE SIZE (IN.)	"X"	SINGLE CATCH BASIN		DOUBLE CATCH BASIN		"Z" MIN.
		"Y" (ANGLE A)	"Y" (ANGLE B)	"Y" (ANGLE A)	"Y" (ANGLE B)	
15	2'-6"	3'-0"	3'-0"	6'-4"	6'-4"	2'-0"
18	2'-6"	3'-0"	4'-0"	6'-4"	6'-4"	2'-6"
21	4'-0"	4'-0"	4'-0"	6'-4"	6'-4"	3'-0"
24	4'-0"	4'-0"	5'-0"	6'-4"	6'-4"	3'-0"
30	4'-0"	4'-0"	6'-0"	6'-4"	6'-4"	3'-6"
36	4'-0"	5'-0"	6'-0"	6'-4"	6'-4"	4'-0"
42	6'-0"	6'-0"	7'-0"	6'-4"	8'-0"	5'-0"
48	6'-0"	6'-0"	8'-0"	6'-4"	8'-0"	5'-6"

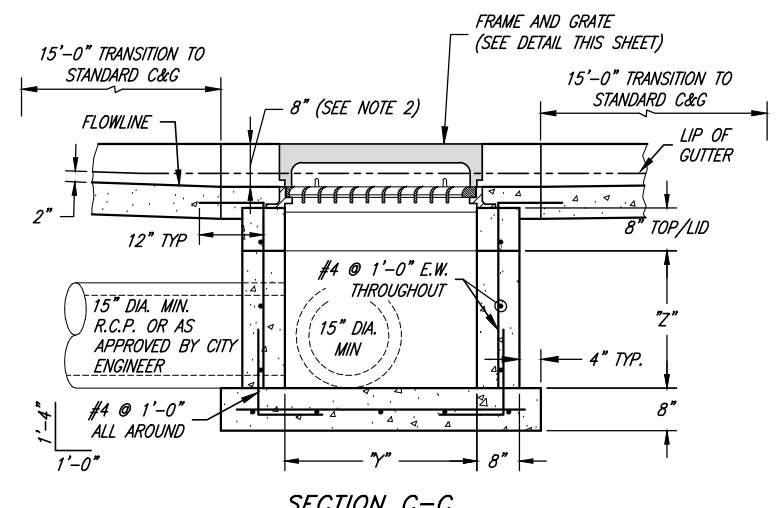
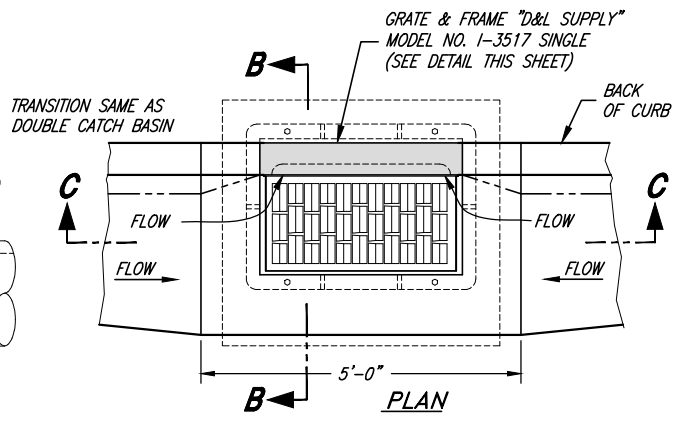


FRAME, REINFORCED CURB HOOD, AND TYPE "L" GRATE

"D&L SUPPLY" I-3517



SINGLE HOODED CATCH BASIN



SECTION C-C



Chris L. Brenholt
PROJECT ENGINEER
JANUARY 2023
DATE

REV.	DATE	APPR.
1	NOV.09	CLB
		ADDED CONCRETE COLLAR

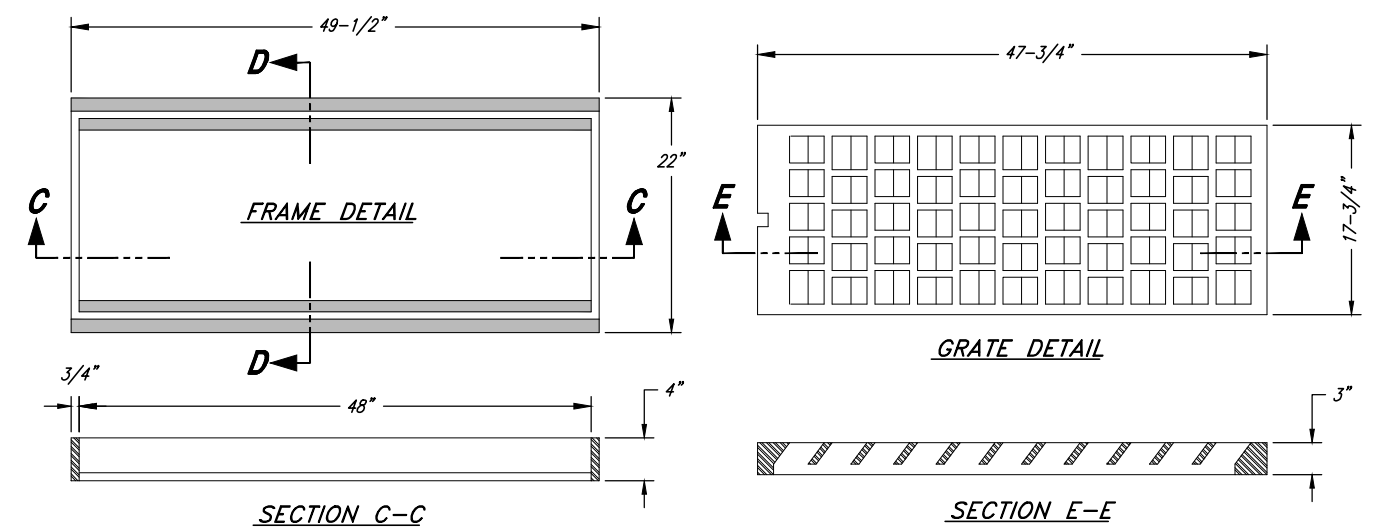
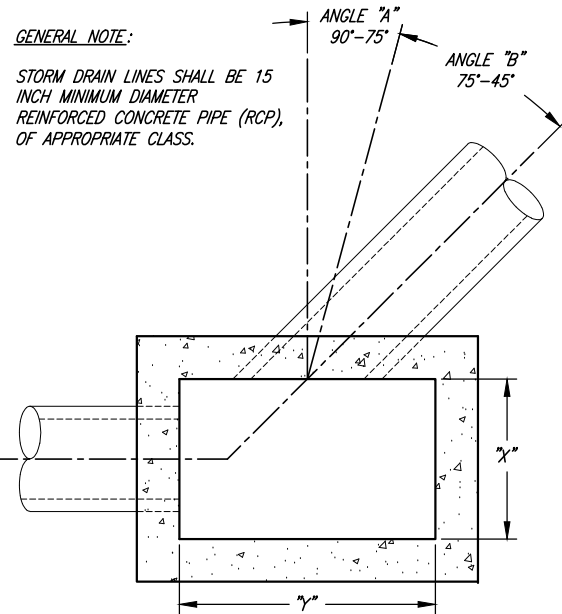
SCALE: N.T.S.
DESIGNED: BEB
DRAWN: BEB
CHECKED: CLB

JA JONES & ASSOCIATES
CONSULTING ENGINEERS
6080 Fashion Point Drive
South Ogden, Utah 84403 (801) 476-9767
www.jonescivil.com

TREMONTON CITY CORPORATION
PUBLIC WORKS STANDARDS
SINGLE AND DOUBLE CATCH BASIN DETAILS

SHEET: **SD1**
OF 39 SHEETS
0

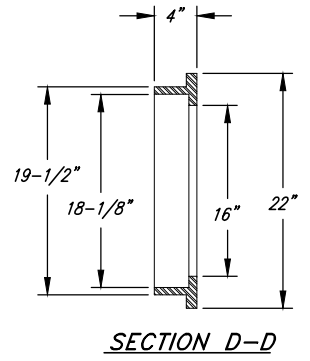
GENERAL NOTE:
STORM DRAIN LINES SHALL BE 15 INCH MINIMUM DIAMETER REINFORCED CONCRETE PIPE (RCP), OF APPROPRIATE CLASS.



FRAME & GRATE DETAILS

DRAINAGE DITCH INLET BOX DIMENSION TABLE

PIPE SIZE (IN.)	INLET BOX			"Z" MIN.
	"X"	"Y" (ANGLE A)	"Y" (ANGLE B)	
15	2'-6"	4'-0"	4'-0"	2'-0"
18	2'-6"	4'-0"	4'-0"	2'-6"
21	4'-0"	4'-0"	4'-0"	3'-0"
24	4'-0"	4'-0"	5'-0"	3'-0"
30	4'-0"	4'-0"	6'-0"	3'-6"
36	4'-0"	4'-0"	6'-0"	4'-0"
42	6'-0"	6'-0"	7'-0"	5'-0"
48	6'-0"	6'-0"	8'-0"	5'-6"

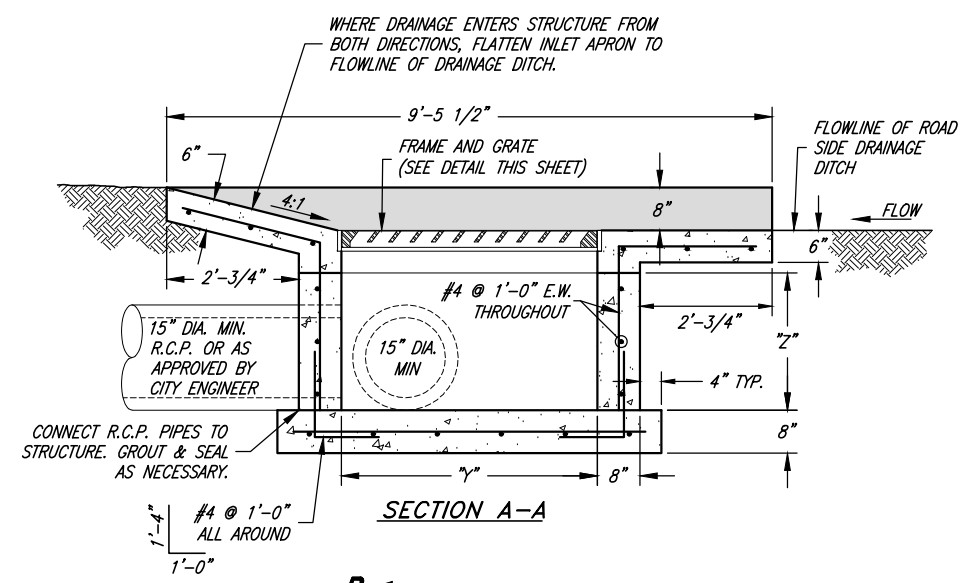
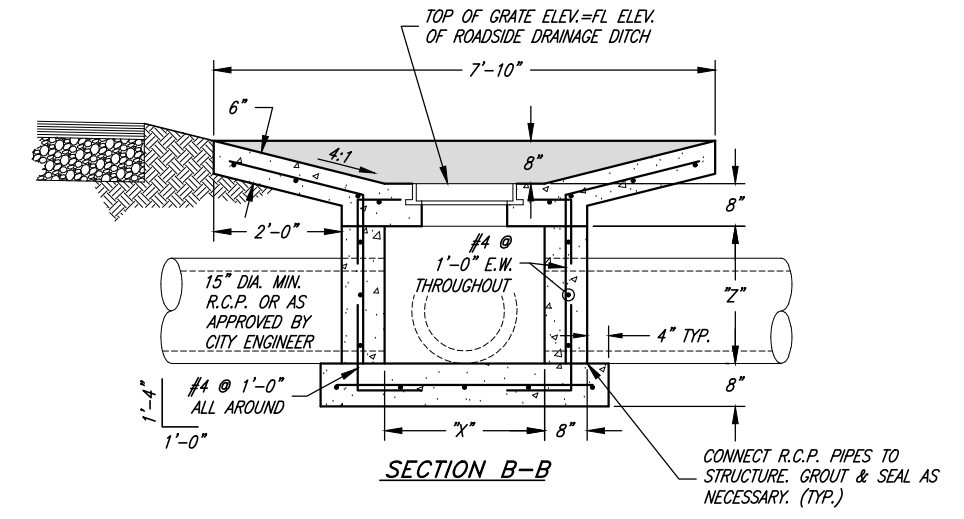


FRAME AND GRATE NOTES:

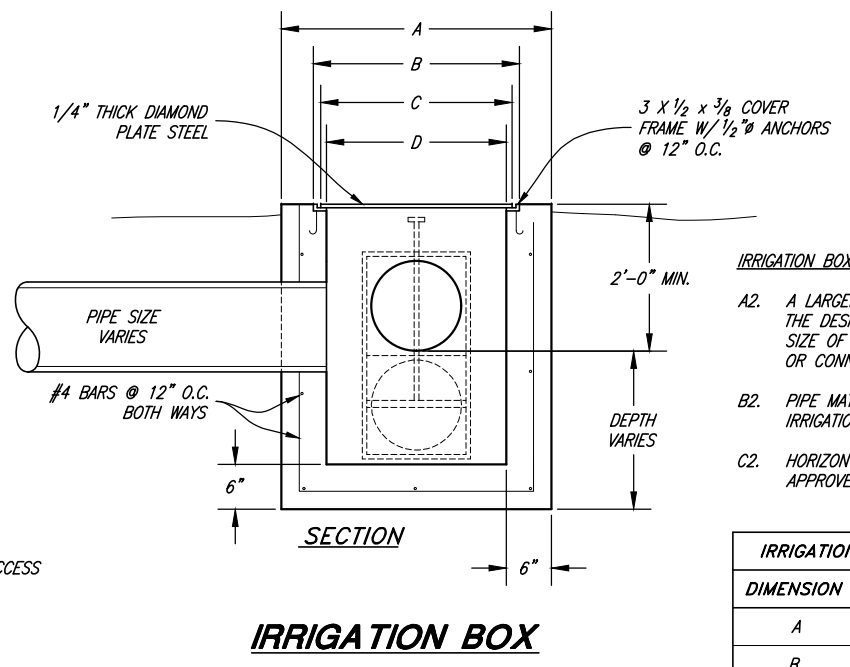
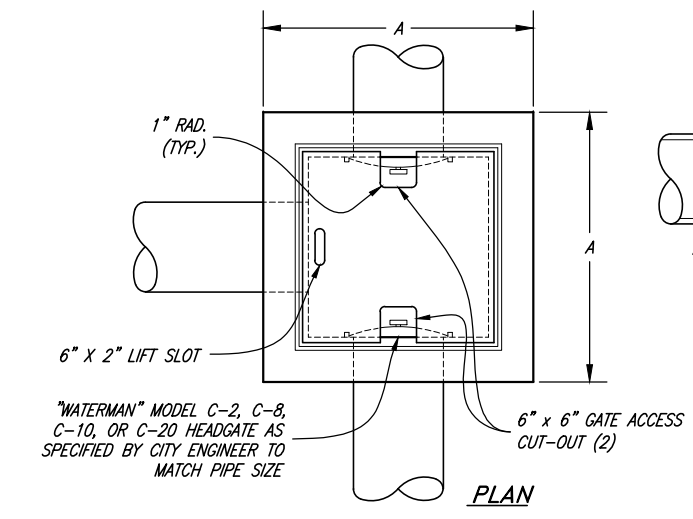
- A1. GRATE AND FRAME SHALL BE AS MANUFACTURED BY "D&L SUPPLY" 1-1803
- B1. BICYCLE SAFE GRATE REQUIRED.
- C1. "OR EQUAL" GRATES AND FRAMES WILL BE CONSIDERED AS APPROVED BY THE CITY ENGINEER.

INLET BOX NOTES:

- 1. ALL BOX SIZES REFLECT DIMENSIONS FOR THE MINIMUM 15" PIPE SIZE. BOX DIMENSIONS MUST INCREASE PROPORTIONALLY TO ACCOMMODATE LARGER PIPE SIZES. (SEE TABLE THIS SHEET)
- 2. CAST-IN-PLACE CONCRETE STRUCTURES CAN BE REPLACED WITH PRECAST CONCRETE STRUCTURES WITH HL-93 DECK LOADING AND COMPARABLE SIZE.
- 3. ALL BOXES SHALL BE FORMED ON THE INSIDE AND OUTSIDE OF THE BOX AND INSPECTED BY THE CITY PRIOR TO THE PLACING OF CONCRETE.



DRAINAGE DITCH / PARKING LOT INLET BOX

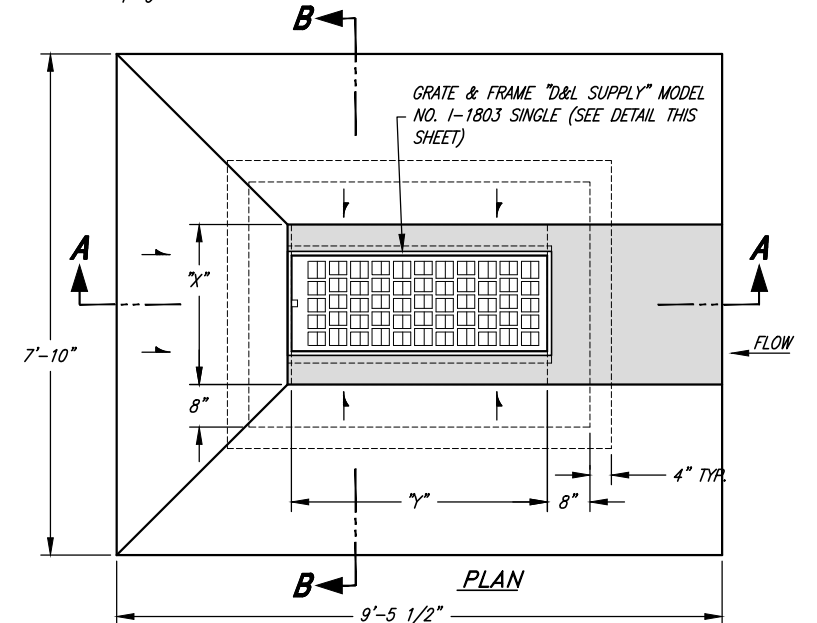


IRRIGATION BOX NOTES:

- A2. A LARGER IRRIGATION BOX MAY BE REQUIRED BY THE DESIGN ENGINEER AFTER EVALUATION OF THE SIZE OF THE PIPES AND GATES TO BE ATTACHED OR CONNECTED TO THE STRUCTURE.
- B2. PIPE MATERIALS & SIZE SHALL BE APPROVED BY IRRIGATION COMPANY.
- C2. HORIZONTAL & VERTICAL ALIGNMENT TO BE APPROVED BY TREMONTON CITY.

IRRIGATION BOX DIMENSION TABLE

DIMENSION	TYPE I	TYPE II
A	3'-0"	4'-0"
B	2'-1 1/2"	3'-1 1/2"
C	2'-1"	3'-1"
D	2'-0"	3'-0"



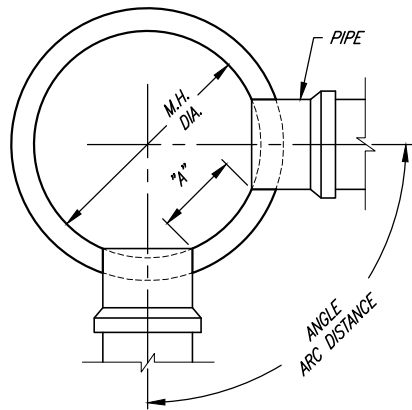
PROJECT ENGINEER	DESIGNED	BEB
JANUARY 2023	DRAWN	BEB
DATE	CHECKED	CLB
REV.	DATE	APPR.

SCALE: N.T.S.
DESIGNED: BEB
DRAWN: BEB
CHECKED: CLB

JONES & ASSOCIATES
CONSULTING ENGINEERS
6080 Fashion Point Drive
South Ogden, Utah 84403 (801) 476-9767
www.jonescivil.com

TREMONTON CITY CORPORATION
PUBLIC WORKS STANDARDS
DRAINAGE INLET BOX, GRATE & FRAME, AND IRRIGATION BOX DETAILS

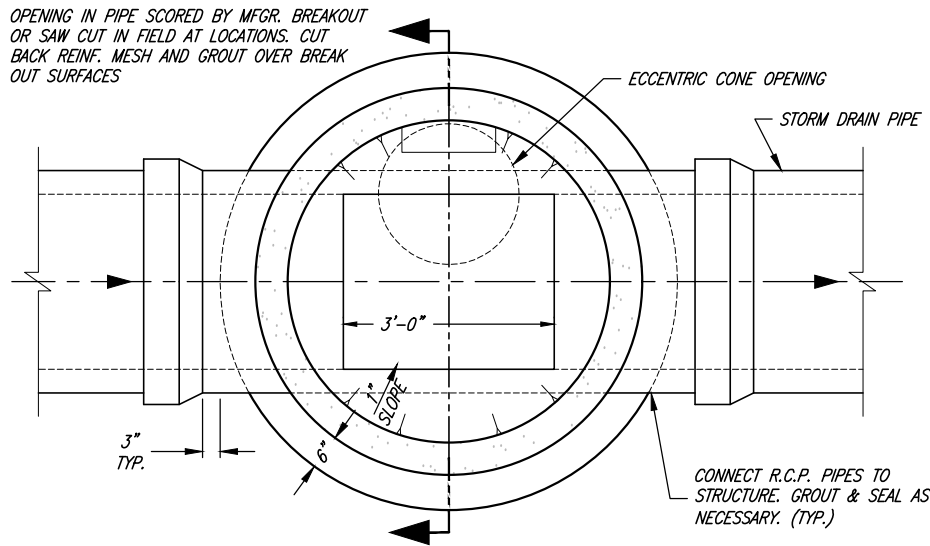
PIPE SIZES		JUNCTION MANHOLE (ANGLE / ARC DISTANCE)										
M.H. SIZE	IN-LINE M.H.	180°	90°	85°	80°	75°	70°	65°	60°	55°	50°	45°
4" M.H.	15"-24"	15"-18"	15"-18"	15"-18"	15"	15"	--	--	--	--	--	--
5" M.H.	27"-30"	21"-24"	21"-24"	18"-21"	18"-21"	15"-18"	15"-18"	15"	--	--	--	--
6" M.H.	36"-48"	27"-30"	27"-30"	24"-27"	24"	21"-24"	21"	18"	15"-18"	15"	--	--
7" M.H.	54"	36"	36"	30"	27"-30"	27"	24"	21"-24"	21"	18"	15"	15"
8" M.H.	60"	42"	42"	36"	36"	30"	27"-30"	27"	24"	21"	18"	18"



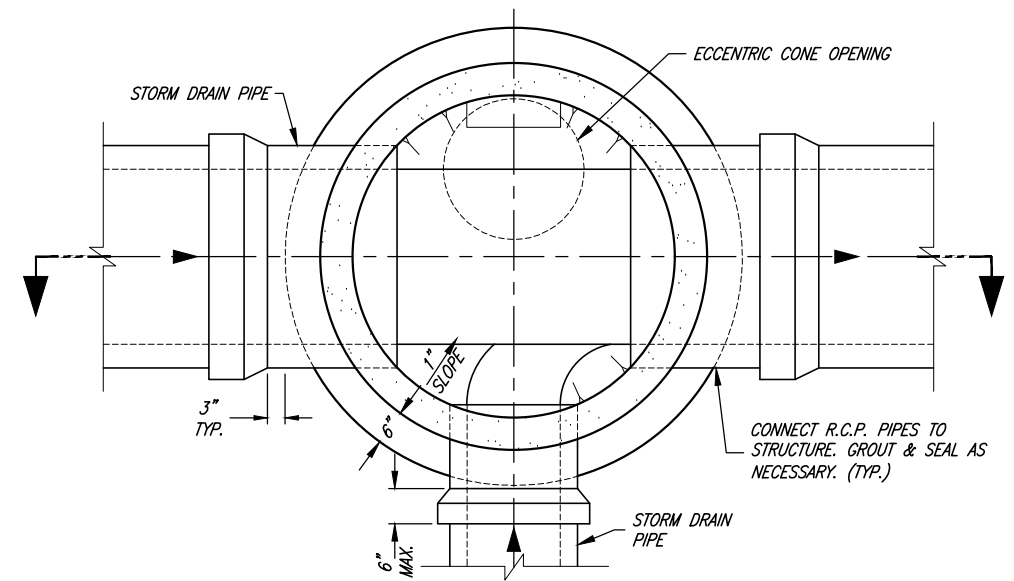
- SIZING NOTES:**
- SUGGESTED "A" DISTANCE IS 6" OR GREATER FOR 48", 60" AND 72" DIAMETER MANHOLES
 - SUGGESTED "A" DISTANCE IS 8" OR GREATER FOR 84" AND 96" DIAMETER MANHOLES

GENERAL NOTES:

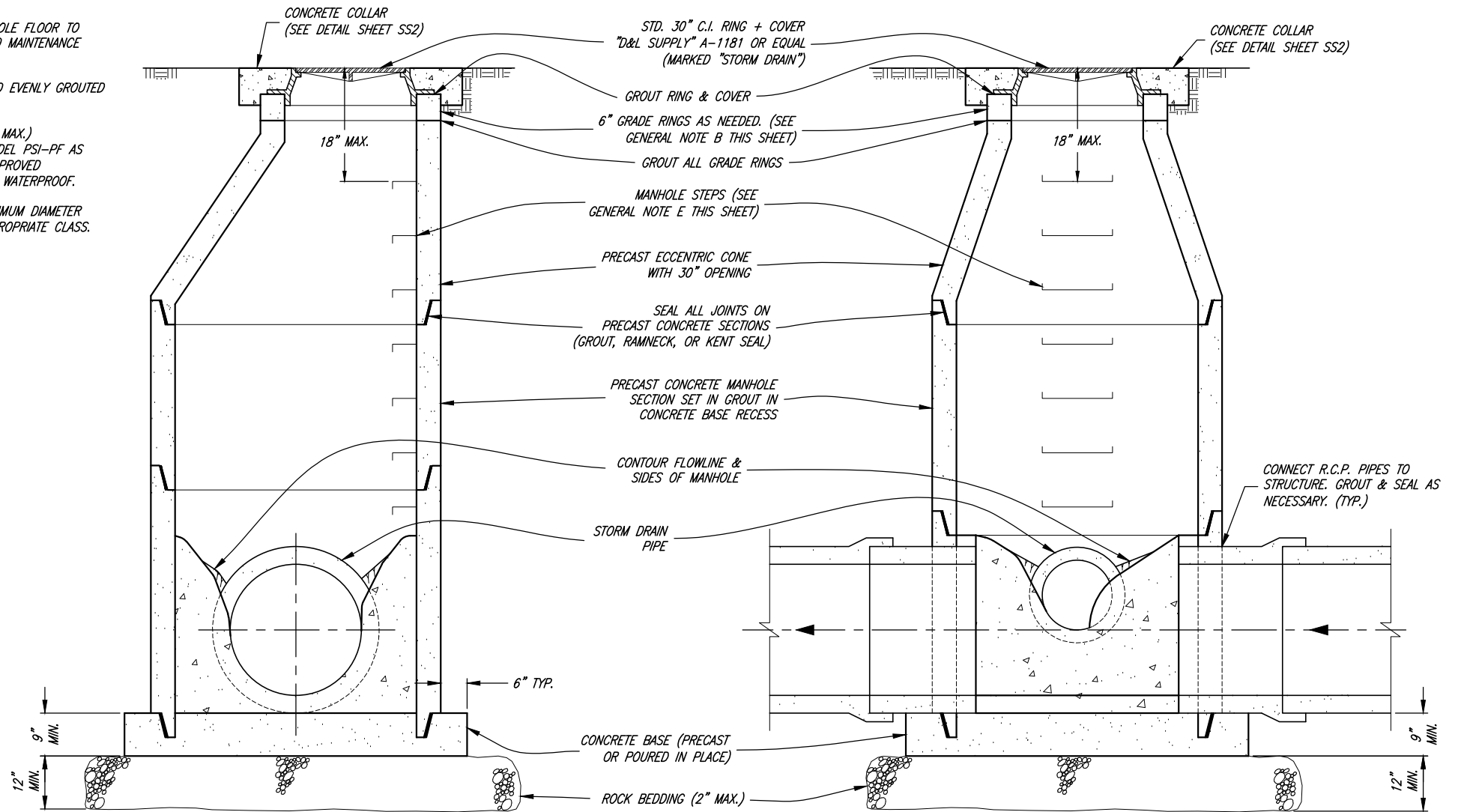
- STORM DRAIN MANHOLE DIAMETER TO BE DETERMINED BY THE DESIGN ENGINEER AFTER EVALUATION OF THE NUMBER, SIZE, AND PIPE ENTRY ANGLE OF THE PIPES THAT CONNECT TO THE MANHOLE.
- NO MORE THAN 12" OF GRADE RINGS TO BE ALLOWED ON ANY MANHOLE
- PLYWOOD COVERS SHALL BE USED AT MANHOLE FLOOR TO COVER FLOWLINE DURING CONSTRUCTION AND MAINTENANCE ACTIVITIES.
- ALL INTERIOR JOINTS SHALL BE SMOOTH AND EVENLY GROUTED WITH NON-SHRINK GROUT MIX.
- MANHOLE STEPS UNIFORMLY SPACED (1'-0" MAX.) POLYPROPYLENE COVERED STEEL STEPS, MODEL PSI-PF AS MANUFACTURED BY "M.A. INDUSTRIES" OR APPROVED EQUAL - INSTALLATION OF STEPS SHALL BE WATERPROOF.
- STORM DRAIN LINES SHALL BE 15 INCH MINIMUM DIAMETER REINFORCED CONCRETE PIPE (RCP), OF APPROPRIATE CLASS.



TYPICAL LINE MANHOLE



TYPICAL JUNCTION MANHOLE



1	NOV.09	CLB	ADDED CONCRETE COLLAR

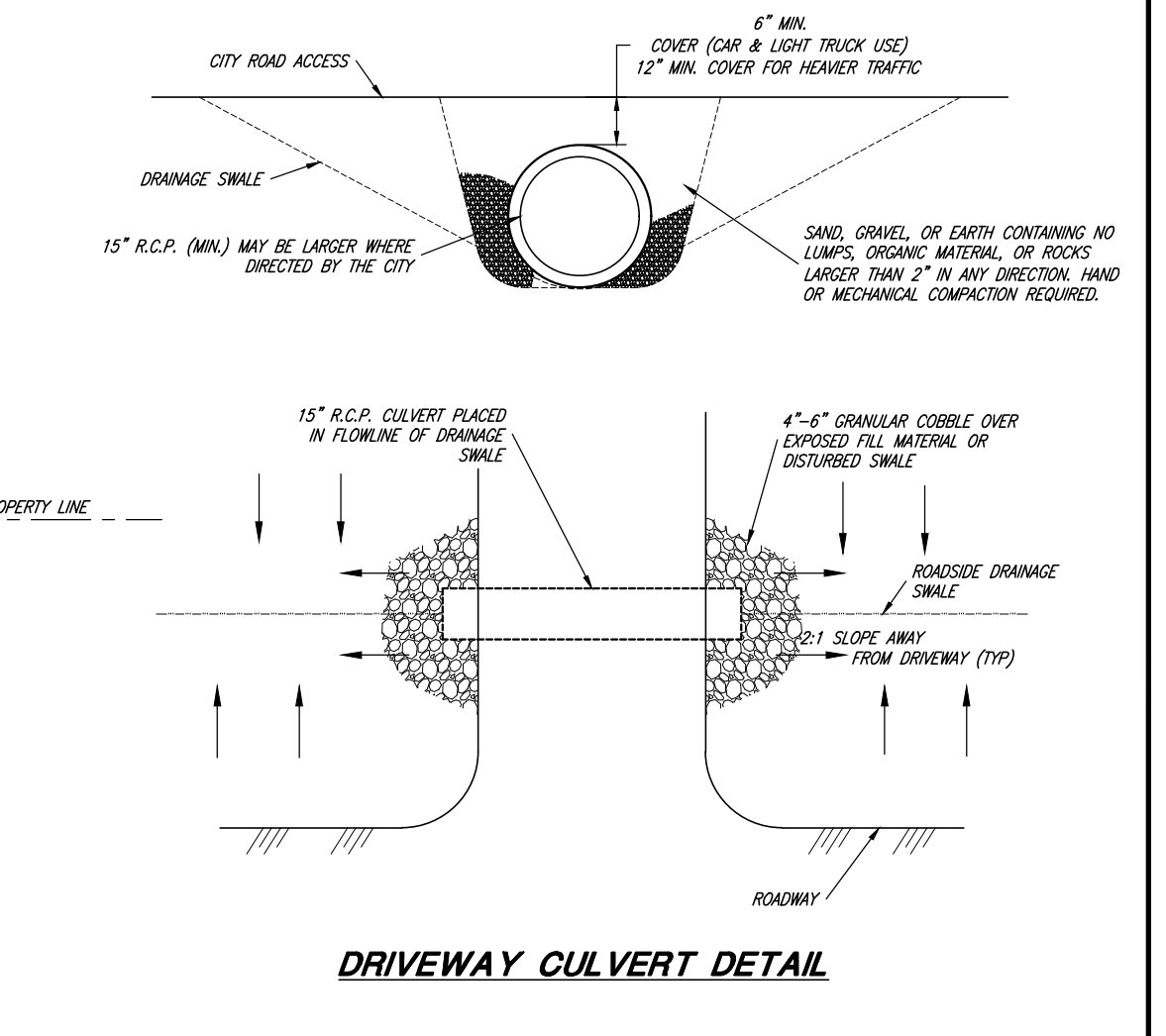
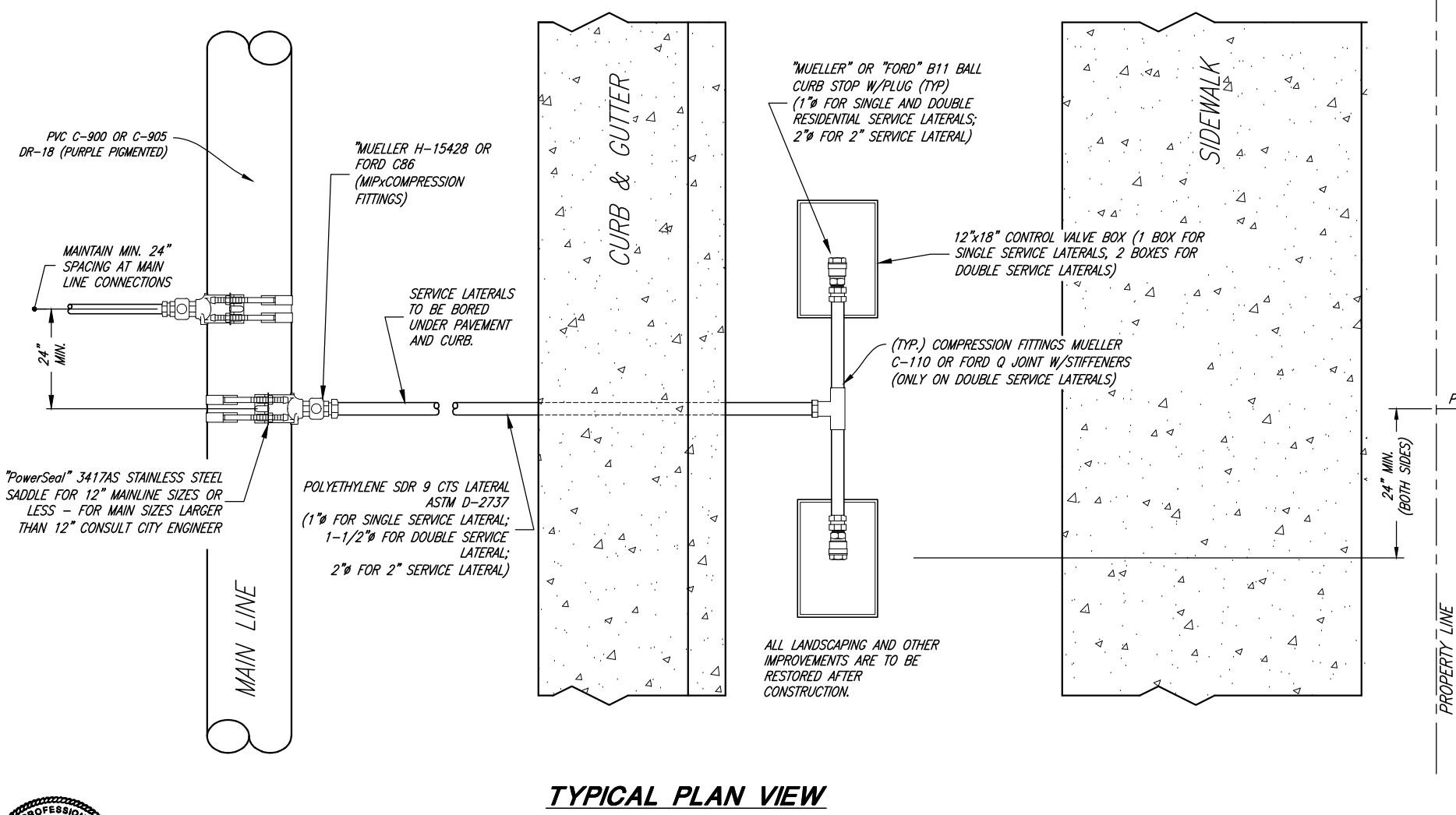
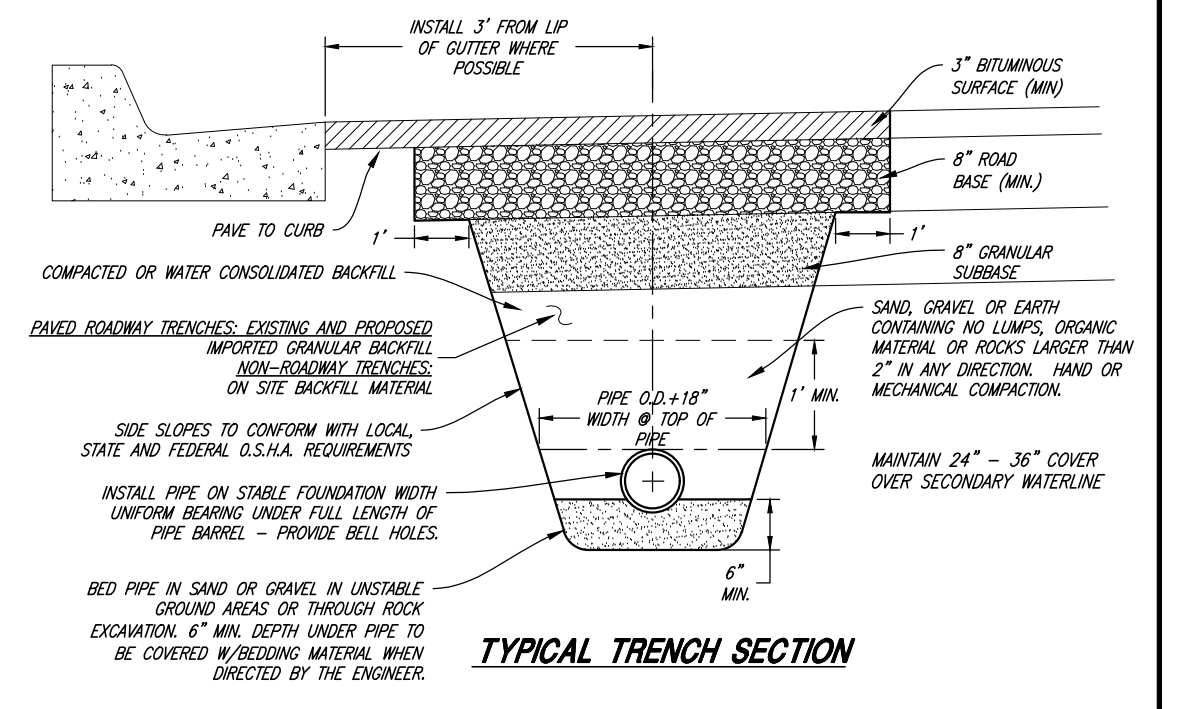
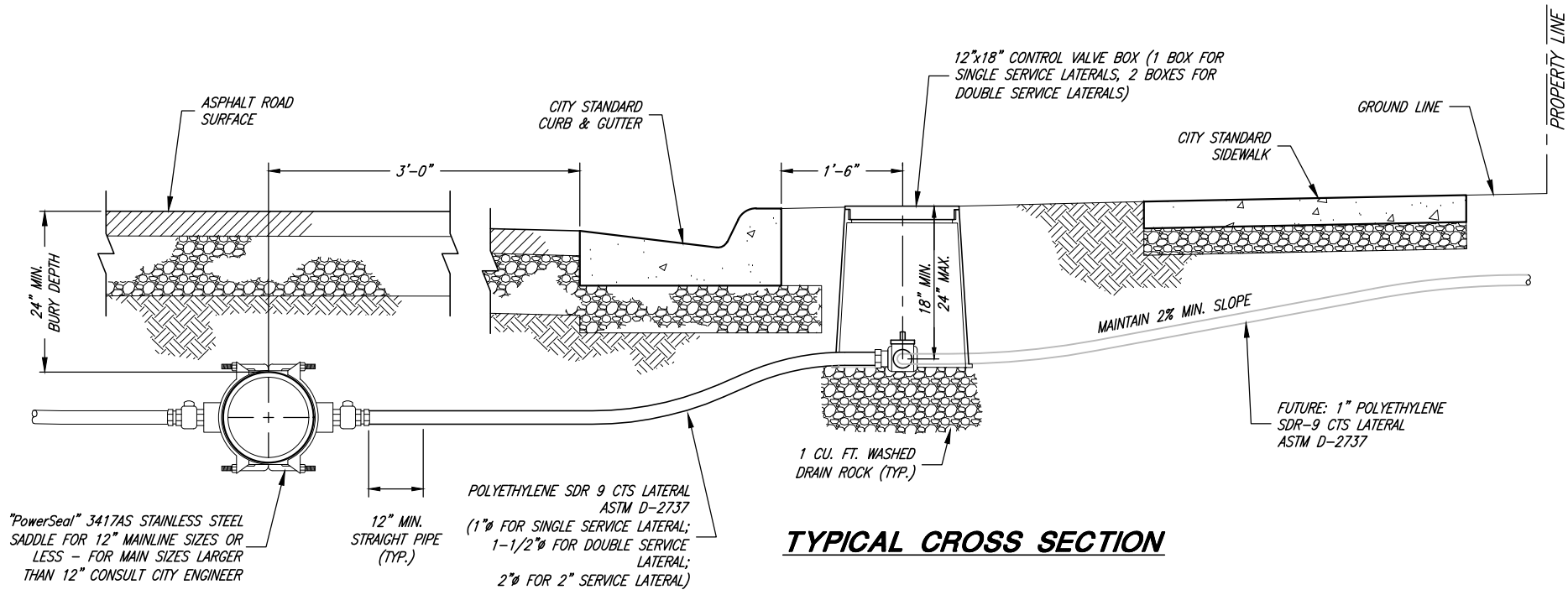
SCALE:
N. T.S.

DESIGNED BEB
DRAWN BEB
CHECKED CLB

JA JONES & ASSOCIATES
CONSULTING ENGINEERS
6080 Fashion Point Drive
South Ogden, Utah 84403 (801) 476-9767
www.jonescivil.com

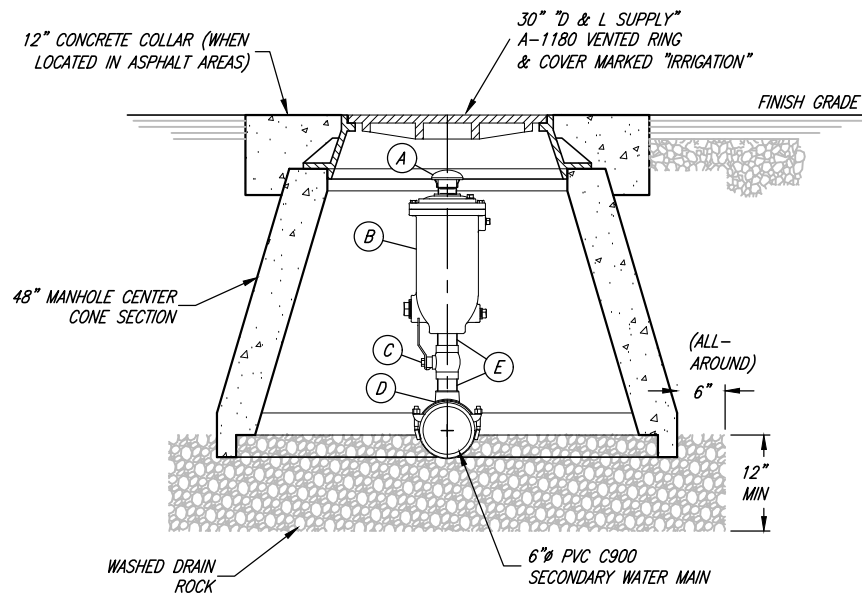
TREMONTON CITY CORPORATION
PUBLIC WORKS STANDARDS

STORM DRAIN MANHOLE & SUBSURFACE DRAINAGE DETAILS



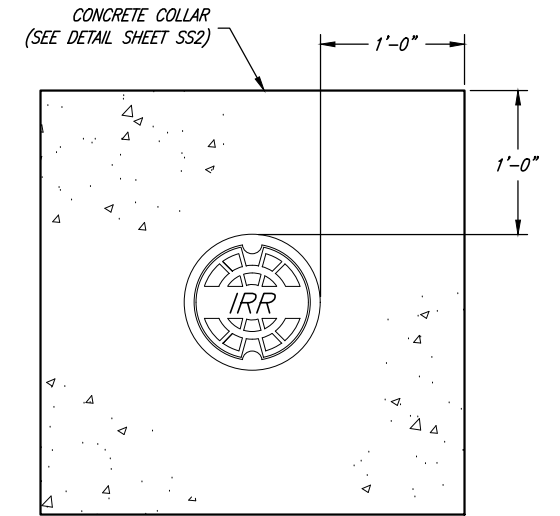
No. 276381 CHRIS BRENHOLT PROJECT ENGINEER JANUARY 2023 DATE			SCALE: N.T.S.	DESIGNED: BEB DRAWN: BEB CHECKED: CLB	JA JONES & ASSOCIATES CONSULTING ENGINEERS 6080 Fashion Point Drive South Ogden, Utah 84403 (801) 476-9767 www.jonescivil.com	TREMONTON CITY CORPORATION PUBLIC WORKS STANDARDS	SHEET: SW1 OF 39 SHEETS 0
REV.	DATE	APPR.					

SECONDARY WATERLINE AND DRIVEWAY CULVERT DETAILS



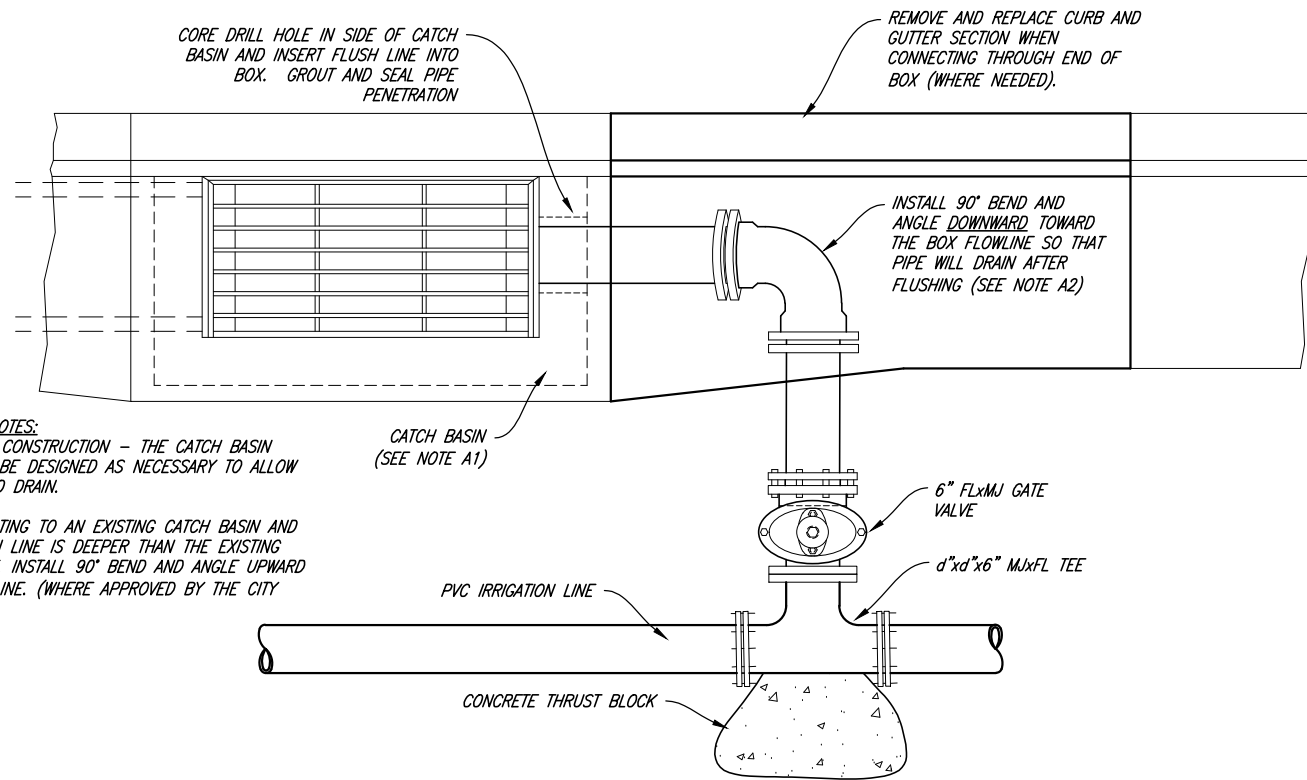
AIR VALVE STATION
(SECONDARY WATER SYSTEM)

PIPE & FITTING SCHEDULE		
NO.	DESCRIPTION	FITTING
A	2" ZINC PLATED SCREENED HOOD "VAL-MATIC" MODEL SPK-2H	THR.
B	2" NPT WASTEWATER AIR/VACUUM VALVE "VALMATIC" MODEL 302A (WHERE AIR/VAC IS CALLED OUT)	THR.
	2" NPT WASTEWATER COMBINATION AIR VALVE "VALMATIC" MODEL 802A (WHERE COMBINATION VALVE IS CALLED OUT)	
C	2" BRASS BALL VALVE 1/4 TURN (NO BALL VALVE WHEN GROUND COVER IS 2'-6" OR LESS)	THR.
D	"PowerSeal" 3417AS STAINLESS STEEL SADDLE	--
E	2" BRASS PIPE	THR.



NOTE:
1. LID FOR SECONDARY WATER TO BE STAMPED "IRR" OR "IRRIGATION"

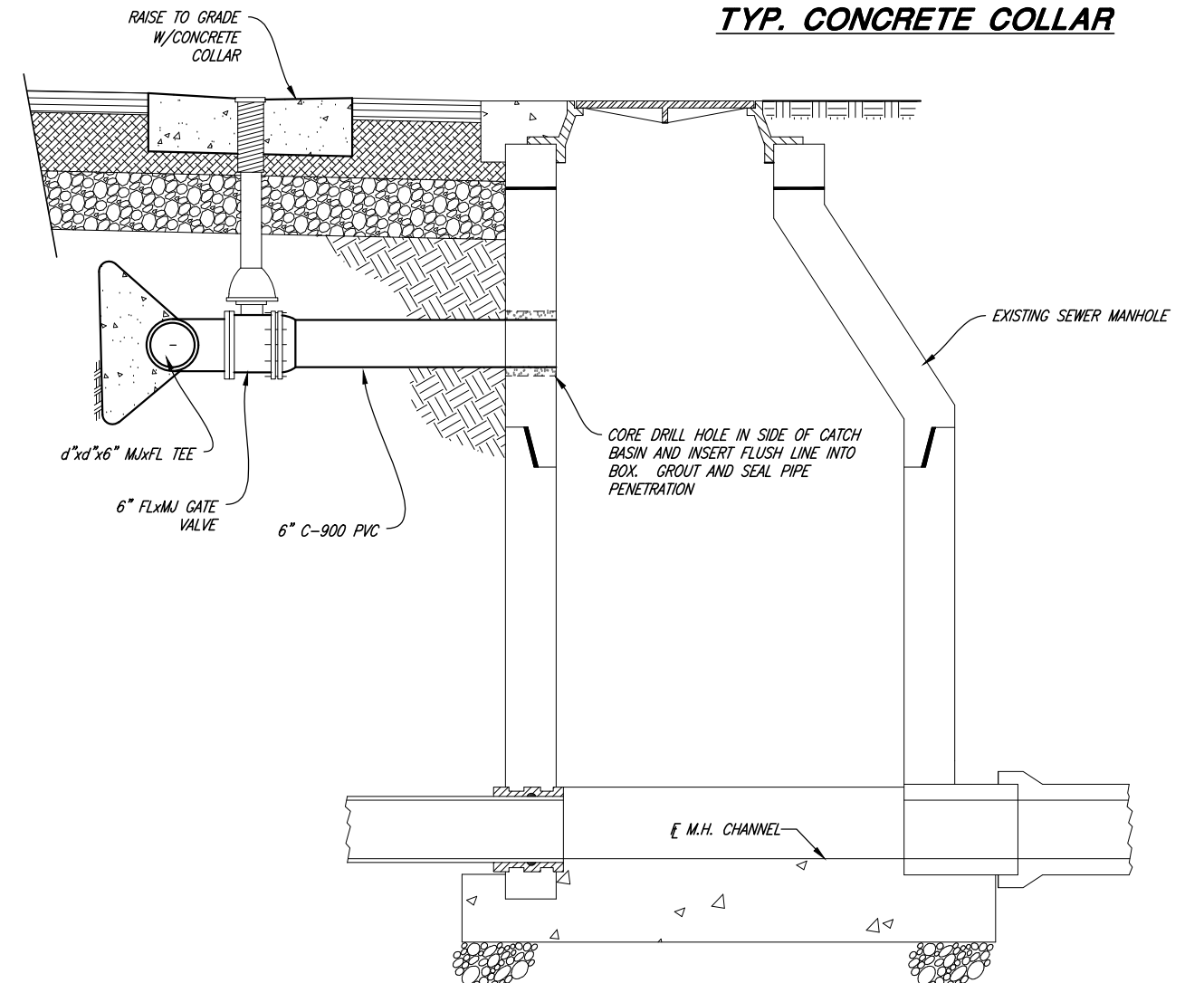
TYP. CONCRETE COLLAR



FLUSHING STATION

FLUSHING STATION NOTES:

- A1. FOR ALL NEW CONSTRUCTION - THE CATCH BASIN DEPTH SHALL BE DESIGNED AS NECESSARY TO ALLOW FLUSH LINE TO DRAIN.
- A2. WHEN CONNECTING TO AN EXISTING CATCH BASIN AND THE IRRIGATION LINE IS DEEPER THAN THE EXISTING BOX FLOWLINE, INSTALL 90° BEND AND ANGLE UPWARD TO BOX FLOWLINE. (WHERE APPROVED BY THE CITY ENGINEER)



DRAIN STATION



PROJECT ENGINEER <i>Chris L. Bremholt</i> JANUARY 2023 DATE			SCALE: N.T.S.	DESIGNED <i>BEB</i> DRAWN <i>BEB</i> CHECKED <i>CLB</i>
REV.	DATE	APPR.		

SCALE: N.T.S.
 DESIGNED *BEB*
 DRAWN *BEB*
 CHECKED *CLB*

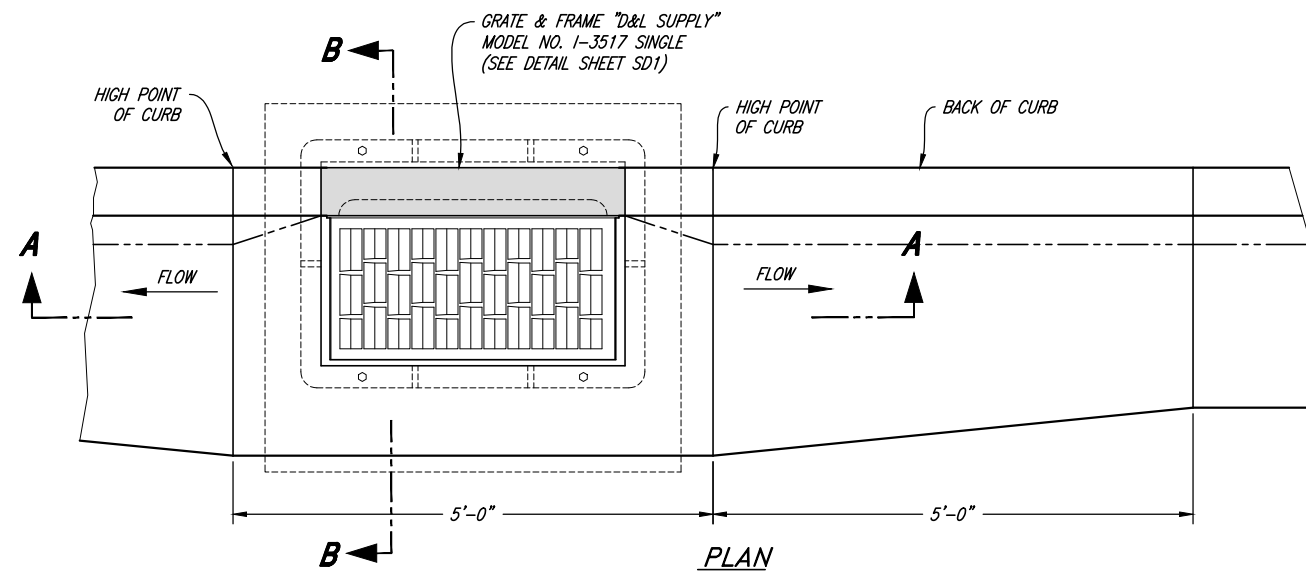
JA JONES & ASSOCIATES
 CONSULTING ENGINEERS
 6080 Fashion Point Drive
 South Ogden, Utah 84403 (801) 476-9767
 www.jonescivil.com

TREMONTON CITY CORPORATION
PUBLIC WORKS STANDARDS

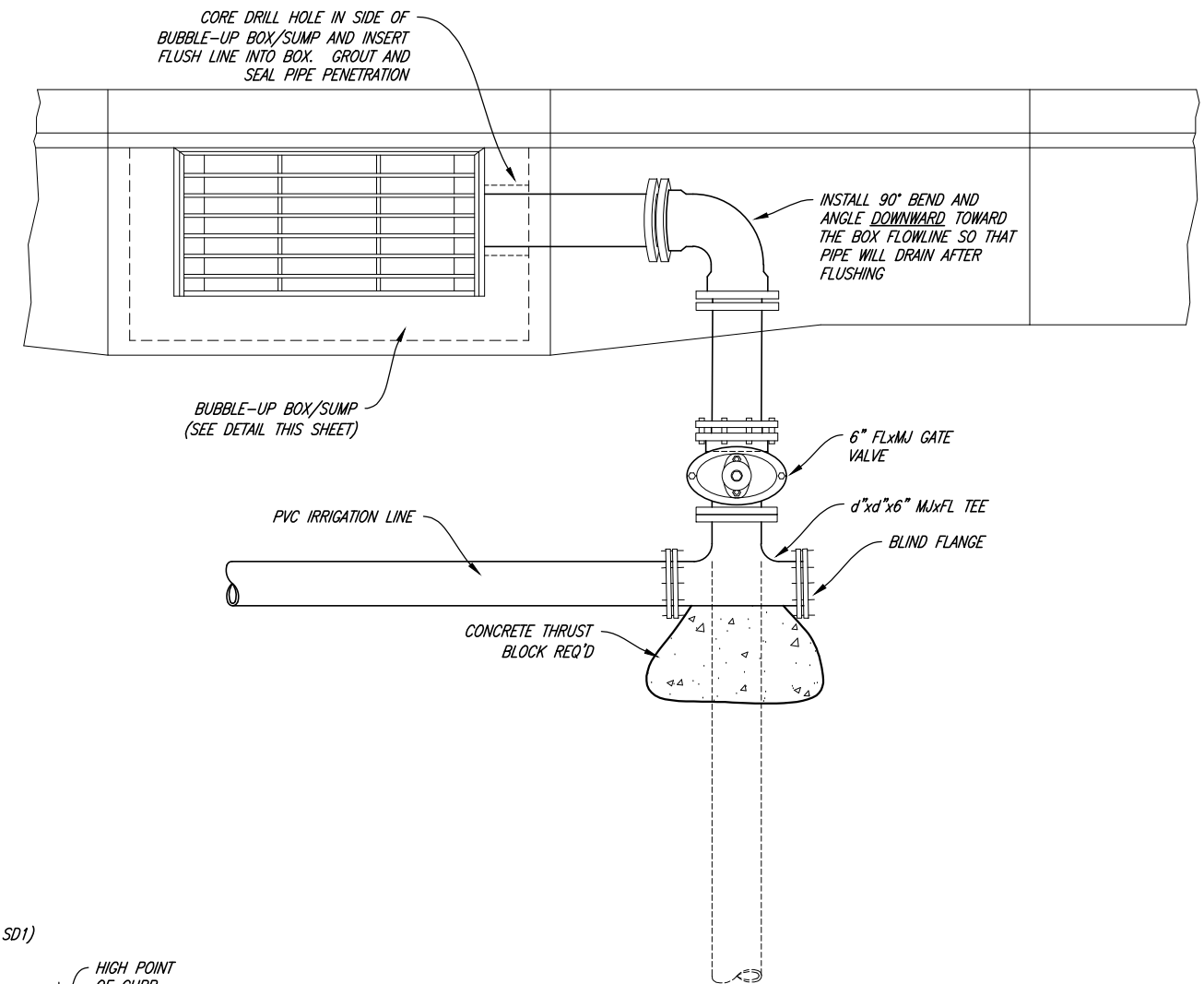
SECONDARY WATER AIR/VAC & DRAIN DETAILS

GENERAL NOTES:

1. CAST-IN-PLACE CONCRETE CATCH BASINS CAN BE REPLACED WITH PRECAST CONCRETE CATCH BASINS WITH HL-93 DECK LOADING AND COMPARABLE SIZE.
2. ALL BOXES SHALL BE FORMED ON THE INSIDE AND OUTSIDE OF THE BOX AND INSPECTED BY THE CITY PRIOR TO THE PLACING OF CONCRETE.
3. THE DEPTH OF THE BUBBLE-UP BOX SHALL BE MODIFIED AS NECESSARY TO ALLOW FLUSH LINE TO DRAIN.

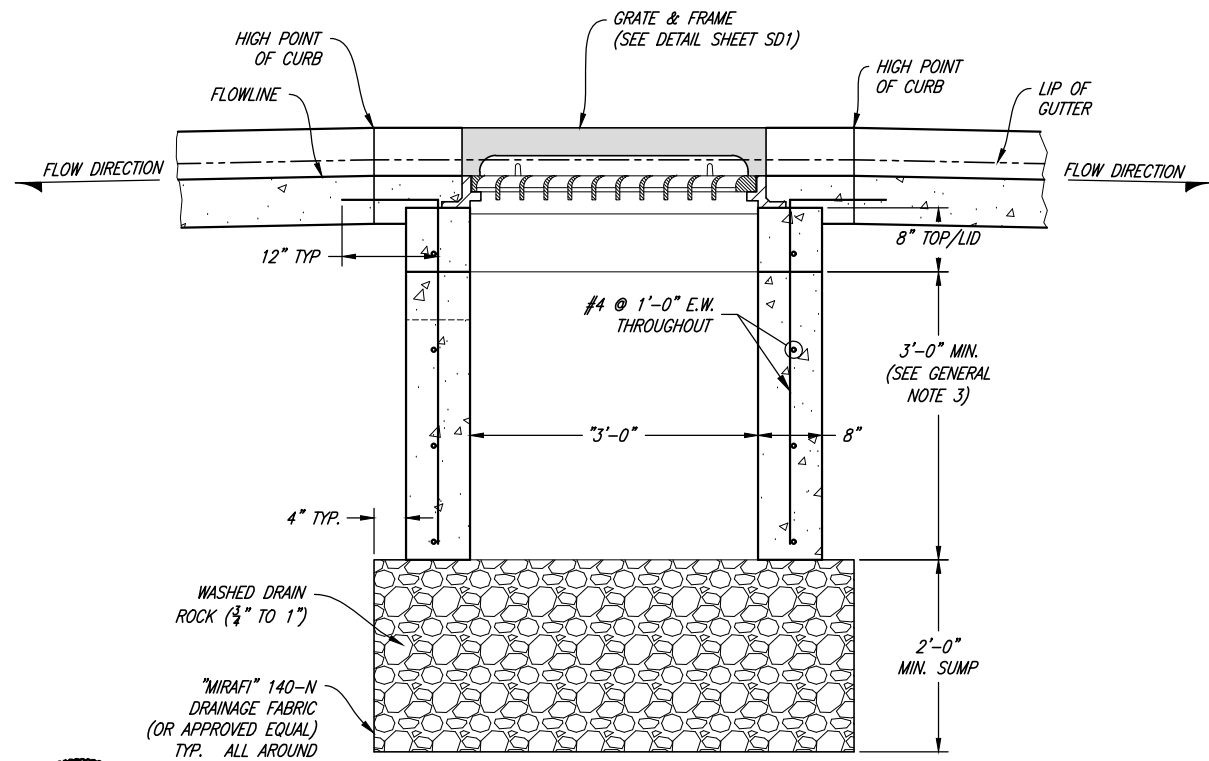


FLUSHING STATION BUBBLE UP BOX

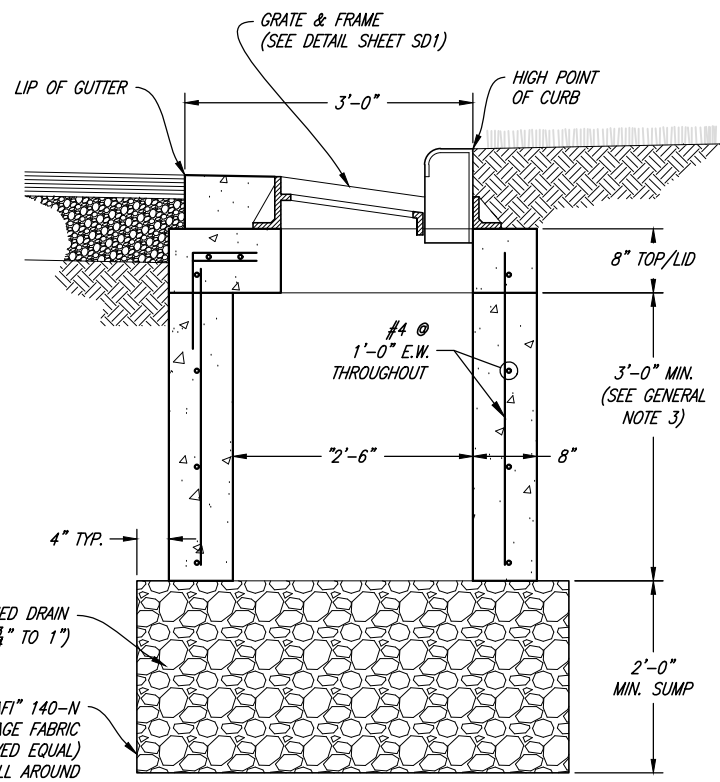


BUBBLE-UP FLUSHING STATION

FOR USE IN CUL-DE-SAC OR DEAD-END INSTALLATIONS WHERE A STORM DRAIN SYSTEM IS NOT AVAILABLE FOR CONNECTION OR AS DIRECTED BY CITY ENGINEER



SECTION A-A



SECTION B-B



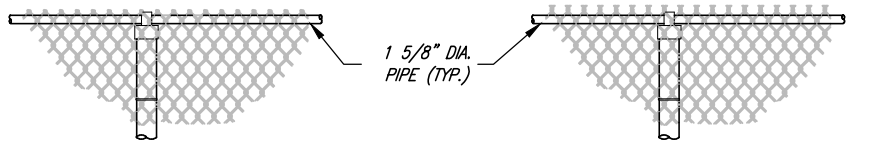
1	10/12/2021	CLB	ADDED NEW DETAIL SHEET TO CITY STANDARDS

SCALE: N.T.S.
 DESIGNED: BEB
 DRAWN: BEB
 CHECKED: CLB

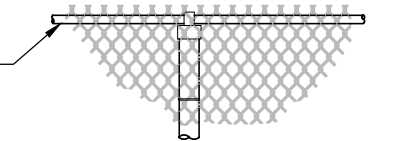
JA JONES & ASSOCIATES
 CONSULTING ENGINEERS
 6080 Fashion Point Drive
 South Ogden, Utah 84403 (801) 476-9767
 www.jonescivil.com

TREMONTON CITY CORPORATION
 PUBLIC WORKS STANDARDS
SECONDARY WATER
BUBBLE-UP BOX FLUSHING STATION DETAILS

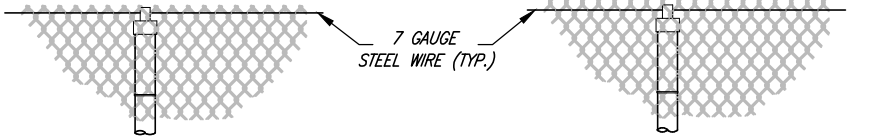
SHEET: **SW3**
 OF 39 SHEETS
 0



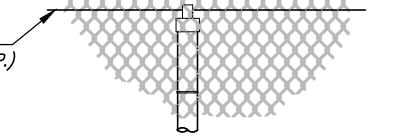
KNUCKLED SELVAGE TYPE I



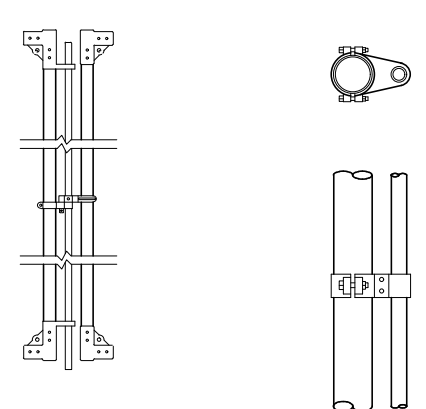
TWISTED & BARBED SELVAGE TYPE II



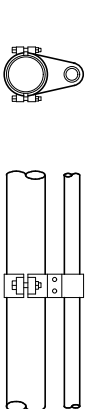
KNUCKLED SELVAGE W/ TENSION WIRE TYPE III



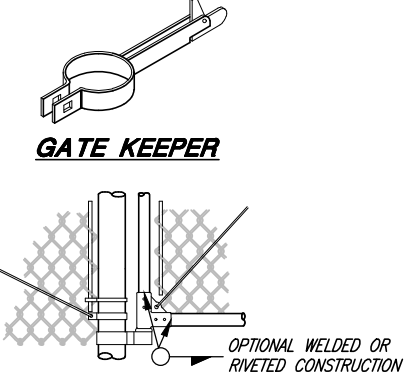
TWISTED & BARBED SELVAGE W/ TENSION WIRE TYPE IV



DROP ROD ASSEMBLY

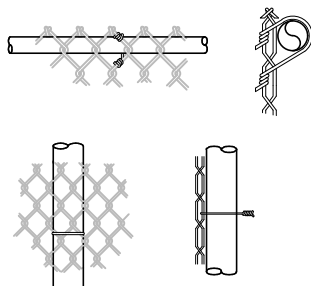


TOP GATE HINGE

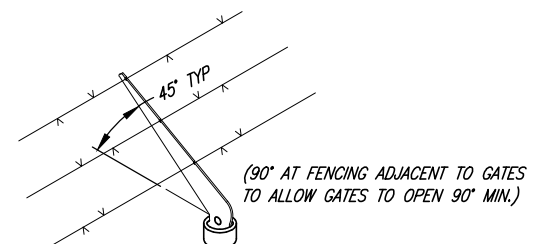


GATE KEEPER

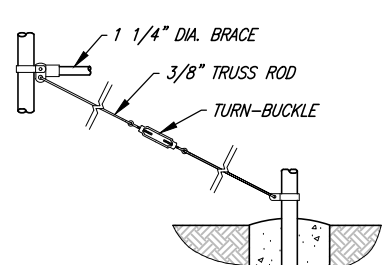
BOTTOM GATE HINGE AND GATE DETAIL



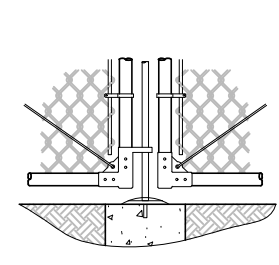
PIPE POST TIE



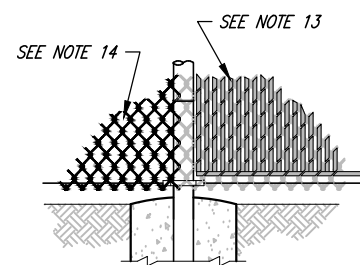
COMBINATION CAP AND BARBED WIRE SUPPORTING ARM



BRACE & TRUSS CONNECTIONS



CENTER GATE STOP AND GATE DETAIL



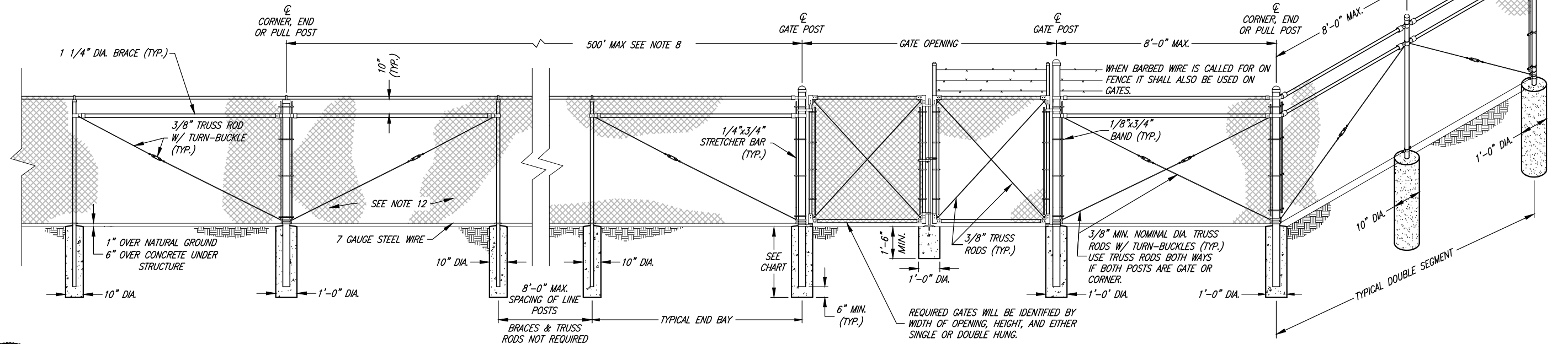
SLATS & VINYL COATING DETAIL

GENERAL NOTES:

1. MATERIALS, CONSTRUCTION, AND WORKMANSHIP SHALL BE IN ACCORDANCE WITH PROJECT STANDARD SPECIFICATIONS.
2. THE TYPE OF TOP SUPPORT IS SPECIFIED IN THE BIDDING SCHEDULE, TYPES I AND II TUBULAR RAIL, TYPES III AND IV TENSION WIRE.
3. BARB WIRE SHALL BE USED ONLY WHEN DESIGNATED ON THE PLANS OR IN THE SPECIFICATIONS.
4. TWISTED AND BARBED SELVAGE TOP AND BOTTOM SHALL BE USED ON FENCES 5- FEET HIGH OR GREATER.
5. KNUCKLED SELVAGE ON TOP AND TWISTED AND BARBED ON BOTTOM SHALL BE USED ON FENCES LESS THAN 5- FEET.
6. ALL STEEL PIPE MEMBERS SHALL CONFORM TO ASTM A53 HOT DIPPED ZINC COATED HIGH TENSILE STEEL PIPE.
7. POSTS SHALL BE SCHEDULE 40 PIPE.
8. LINE POSTS SHALL BE LOCATED AT EQUAL SPACING FOR EACH SEGMENT WITH A MAXIMUM SPACING AS FOLLOWS:
 - a. TANGENT SECTIONS TO 500-FOOT RADIUS NOT MORE THAN 8- FEET.
 - b. UNDER 500-FOOT RADIUS TO 200-FOOT RADIUS NOT MORE THAN 8- FEET.
 - c. UNDER 200-FOOT RADIUS TO 100-FOOT RADIUS NOT MORE THAN 6- FEET.
 - d. UNDER 100-FOOT RADIUS NOT MORE THAN 5- FEET.
9. TRUSS RODS AND BRACES SHALL NOT BE REQUIRED FOR FABRIC HEIGHT LESS THAN 5- FEET.
10. TENSION WIRE SHALL BE 7 GAUGE ZINC- OR ALUMINUM- COATED COIL SPRING STEEL TENSION WIRE.
11. ALL POSTS SHALL BE SET IN 3000 PSI CONCRETE AND SHALL BE TOPPED WITH BALL TYPE OR OTHER APPROVED ORNAMENT.
12. ALL FABRIC SHALL BE 2" GALVANIZED 9 GAUGE MESH.
13. VERTICAL SEMI-PRIVACY VINYL SLATS WITH BOTTOM-LOCKING SLAT, WHEN REQUIRED BY THE CITY. COLOR AS APPROVED BY THE CITY.
14. VINYL COATED CHAINLINK FENCING WHEN REQUIRED BY THE CITY. COLOR AS APPROVED BY THE CITY.
15. ALL FENCING SHALL CONFORM TO LOCATION AND HEIGHT LIMITATIONS AS STATED IN TREMONTON CITY FENCING ORDINANCE.

HEIGHT	GATE OPENING	GATE POST	GATE FRAME
UNDER 6 FEET	SINGLE TO 6' OR DOUBLE TO 12'	2"	1"
	SINGLE OVER 6' TO 8' OR DOUBLE OVER 12' TO 16'	2 1/2"	
	SINGLE OVER 8' TO 12' OR DOUBLE 16' TO 24'	4"	1 1/2"
6 FEET AND OVER	SINGLE TO 6' OR DOUBLE TO 12'	3 1/2"	
	SINGLE OVER 6' TO 12' OR DOUBLE OVER 12' TO 24'	4"	1 1/2"
	SINGLE OVER 12' TO 18' OR DOUBLE OVER 24' TO 36'	6"	
	SINGLE OVER 18' OR DOUBLE OVER 36'	8"	

HEIGHT OF FABRIC	DEPTH OF POSTS	LENGTH OF END, CORNER OR PULL POST	LENGTH OF LINE POST	SIZE OF POSTS	
				END, CORNER, & PULL POSTS	LINE POST
				NOM. SIZE	NOM. SIZE
7'	3'	10'	9'-8"	2 1/2"	2"
6'	3'	9'	8'-8"	2 1/2"	2"
5'	3'	8'	7'-8"	2"	1 1/2"
4'	2'	6'	5'-8"	2"	1 1/2"
3'	2'	5'	4'-8"	2"	1 1/2"

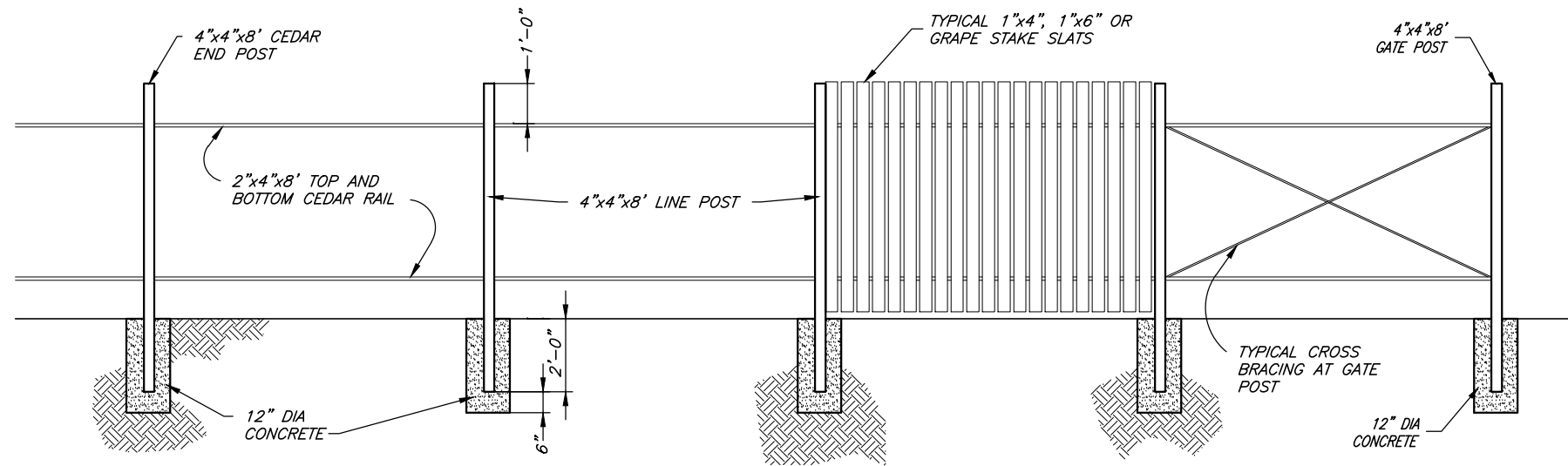


No. 276381 CHRIS BREMOLT PROJECT ENGINEER JANUARY 2023 DATE	REV. DATE APPR.
--	-----------------

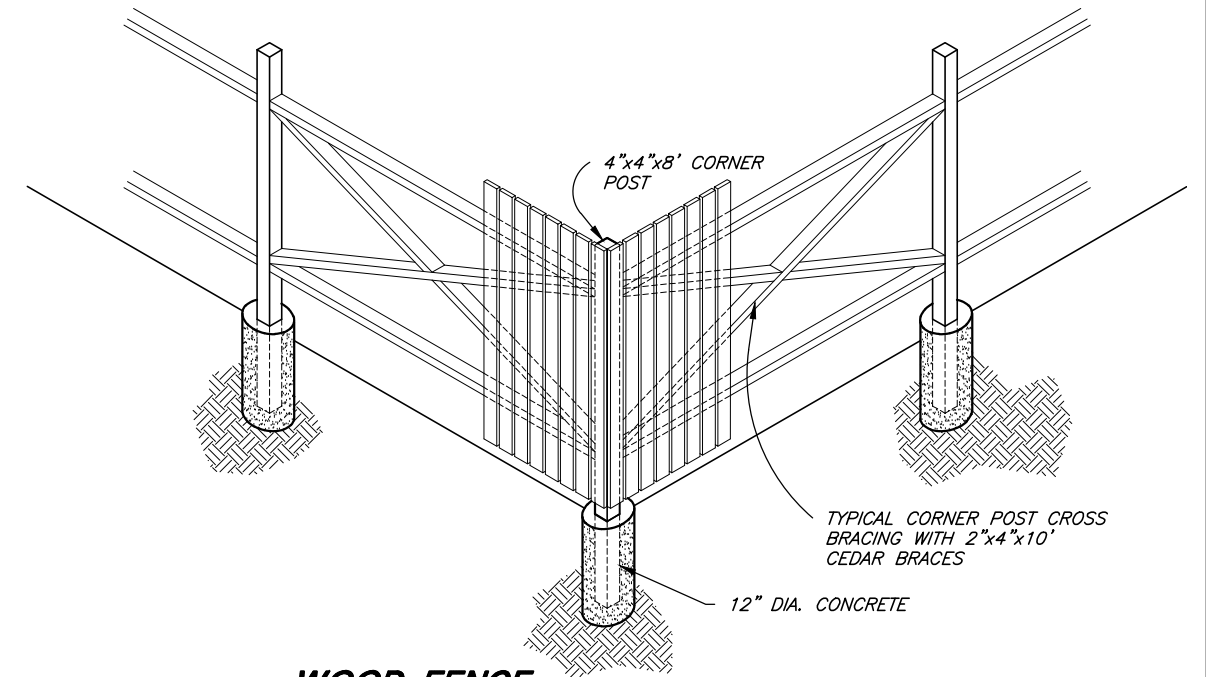
SCALE:	DESIGNED: <u>BEB</u>
N. T. S.	DRAWN: <u>BEB</u>
	CHECKED: <u>CLB</u>

JA JONES & ASSOCIATES
 CONSULTING ENGINEERS
 6080 Fashion Point Drive
 South Ogden, Utah 84403 (801) 476-9767
 www.jonescivil.com

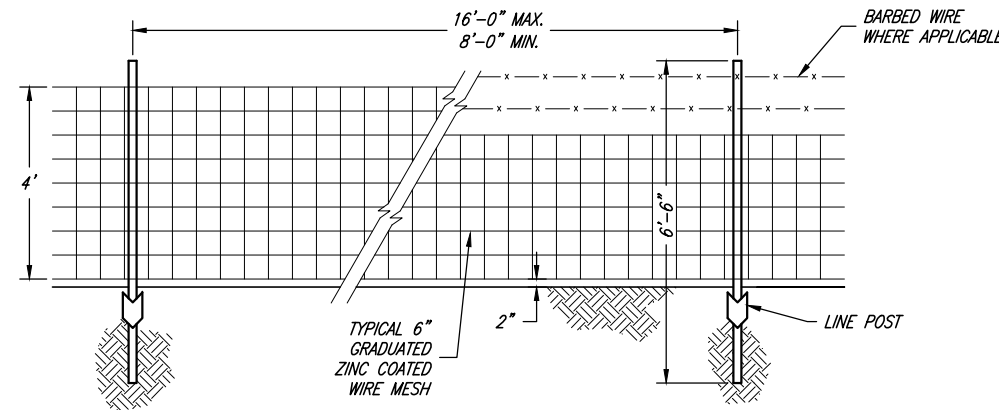
TREMONTON CITY CORPORATION
 PUBLIC WORKS STANDARDS
CHAIN LINK FENCE STANDARD DETAILS



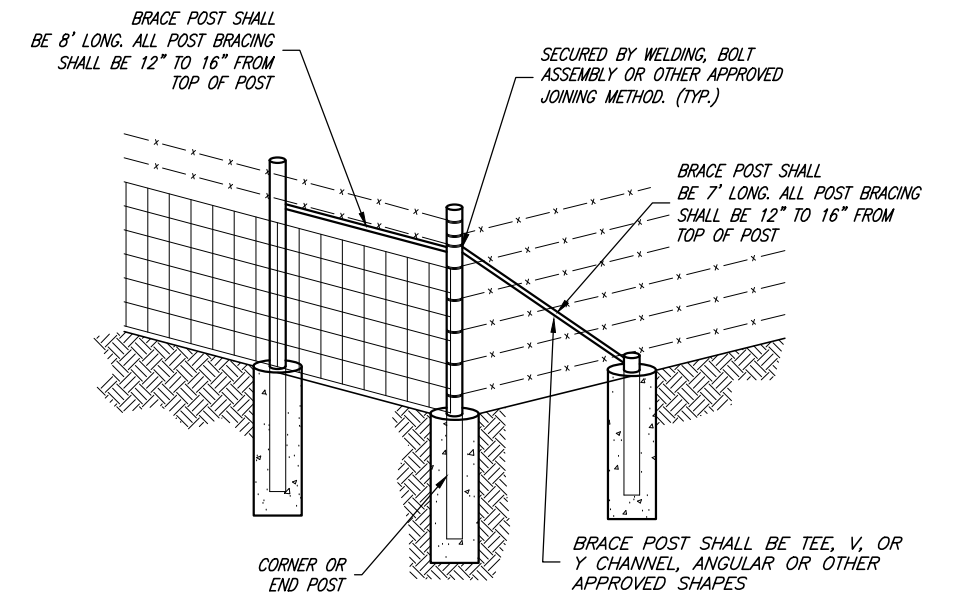
TYPICAL WOOD FENCE



**WOOD FENCE
CORNER POST DETAIL**



TYPICAL WIRE MESH FENCE



**TYPICAL CORNER / END
POST BRACING DETAIL**

NOTE:
THIS SHEET SPECIFIES VARIOUS FENCING TYPES
TO BE CONSTRUCTED WHEN CALLED FOR BY THE
CITY ENGINEER.



Chris L. Brenholt
PROJECT ENGINEER
JANUARY 2023
DATE

REV.	DATE	APPR.

SCALE:
N.T.S.

DESIGNED BEB
DRAWN BEB
CHECKED CLB



CONSULTING ENGINEERS
6080 Fashion Point Drive
South Ogden, Utah 84403 (801) 476-9767
www.jonescivil.com

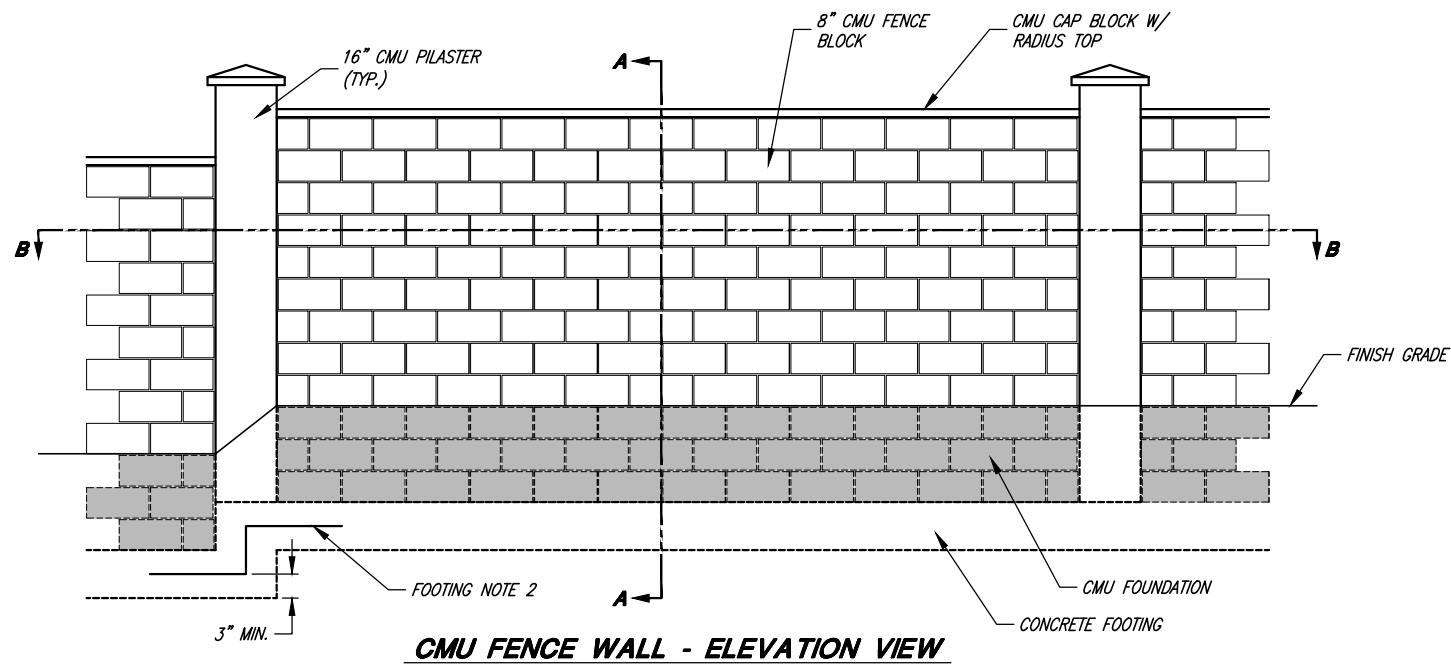
TREMONTON CITY CORPORATION
PUBLIC WORKS STANDARDS

WOOD AND WIRE FENCING DETAILS

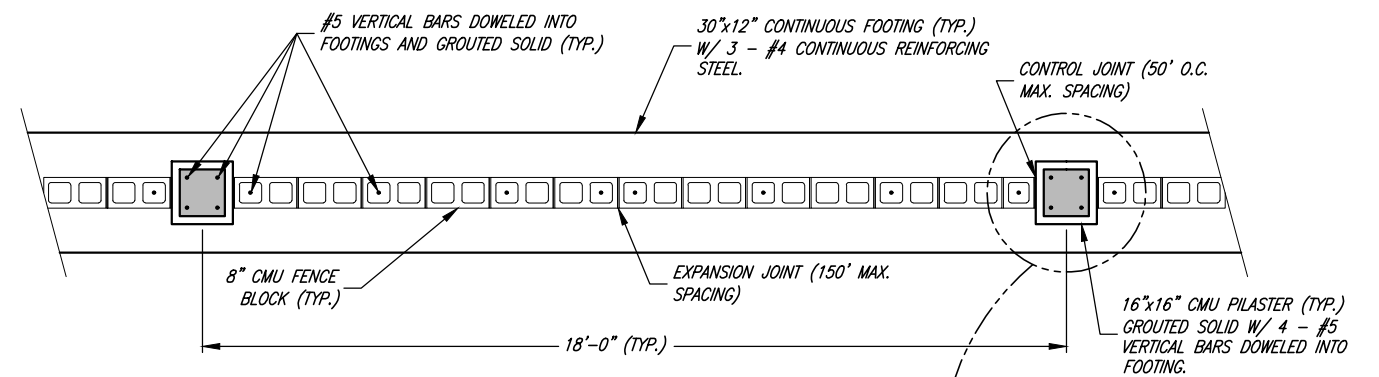
SHEET:

G2

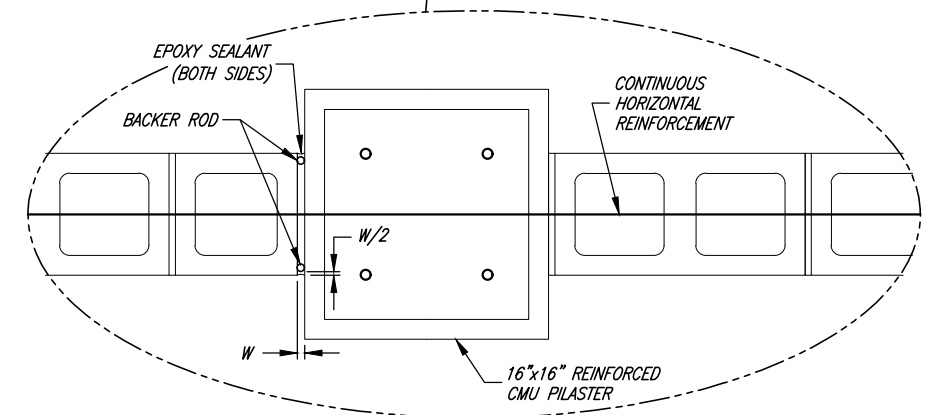
OF 39 SHEETS
0



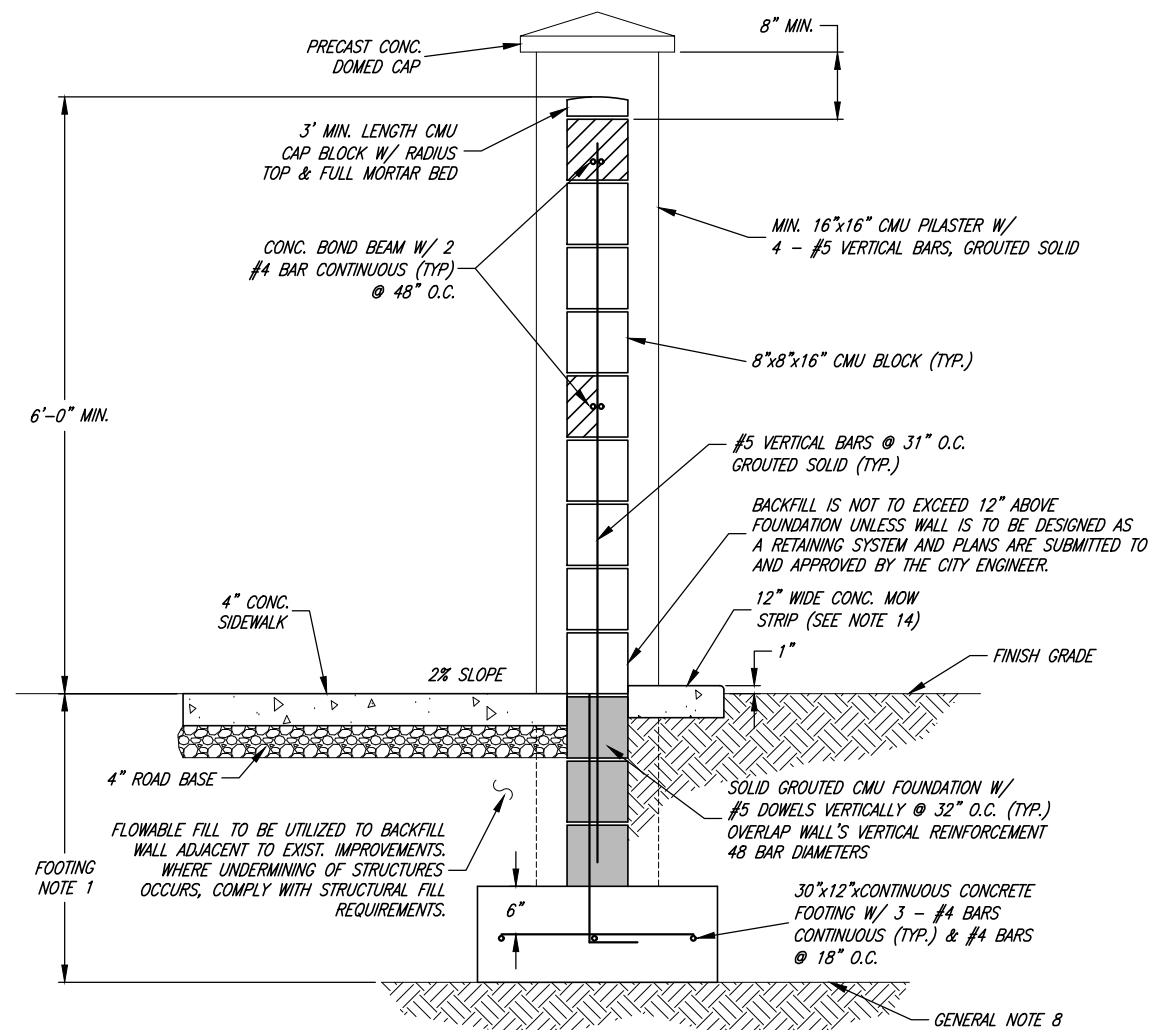
CMU FENCE WALL - ELEVATION VIEW



CMU FENCE WALL - PLAN VIEW SECTION B-B



TYPICAL CONTROL JOINT



CMU FENCE WALL - SECTION A-A

GENERAL NOTES

- CONTROL JOINTS 50' MAX. SPACING AT PILASTERS
- EXPANSION JOINTS AT 150' TO 200' INTERVALS, TERMINATE HORIZONTAL REINFORCEMENT WITH STANDARD HOOK IN ADJACENT REINFORCED VERTICAL CELLS.
- ALL WALLS MUST MEET OR EXCEED AN 80 MPH WIND LOAD DESIGN.
- STEP FOOTING AND WALL AT PILASTERS ONLY.
- USE TYPE "S" MORTAR ONLY.
- CENTRALLY BATCH GROUT.
- COMPLY WITH CURRENT INTERNATIONAL BUILDING CODE AND STANDARDS.
- PLACE FOOTING ON UNDISTURBED SOILS OR FILL COMPACTED TO 96% MAXIMUM DRY DENSITY (ASTM D698).
- USE TYPE I MOISTURE CONTROLLED CMU'S AND SINGLE 16"x16" PILASTER BLOCKS.
- RUNNING BOND JOINT PATTERN ONLY.
- UTILIZE BACKER ROD AND UDOT APPROVED EPOXY SEALER AT CONTROL JOINTS.
- MINIMUM WALL HEIGHT SHALL BE 6'-0" AT ANY LOCATION AS MEASURED FROM FINISHED GRADE OR TOP OF SIDEWALK.
- APPLY ANTI-GRAFFITI COATING WHEN REQUIRED BY TREMONTON CITY.
- CONCRETE MOW STRIPS SHALL BE REQUIRED ON SIDE FACING STREET WHERE ADJACENT LANDSCAPING IS GRASS.

FOUNDATION NOTES

- #5 VERTICAL BARS @ 32" O.C. WITH STANDARD HOOK

REINFORCING STEEL NOTES

- REINFORCING STEEL SHALL BE 60 GRADE.
- STAGGER HORIZONTAL BAR LAP SPLICE LOCATIONS.
- TERMINATE ALL REINFORCING STEEL WITH STANDARD HOOKS.
- ALTERNATE STANDARD HOOKS IN FOOTING.
- MAINTAIN CONTINUOUS HORIZONTAL REINFORCING THROUGH CONTROL JOINTS.
- MINIM WALL REINFORCING STEEL SHALL BE:
VERT. - 1 #5 BARS @ 32" O.C.
HORIZ. - 2 #4 BARS CONTINUOUS IN BOND BEAMS.
- LAP SPLICE 48 BAR DIAMETERS IN WALLS.
- SECURE ALL REINFORCING STEEL FROM DISPLACEMENT PRIOR TO CONC. PLACEMENT.

FOOTING NOTES

- 30" MIN. FROST PROTECTION FROM FINISH GRADE TO BOTTOM OF FOOTING.
- 3 - #4 BARS CONTINUOUS REINFORCING STEEL.
- 30 BAR DIAMETER MINIMUM LAP SPLICES.

PILASTER NOTES

- 4 - #5 VERTICAL BARS DOWELED TO THE FOOTING.



Chris L. Brenholt
PROJECT ENGINEER
JANUARY 2023
DATE

REV.	DATE	APPR.

SCALE:
N.T.S.

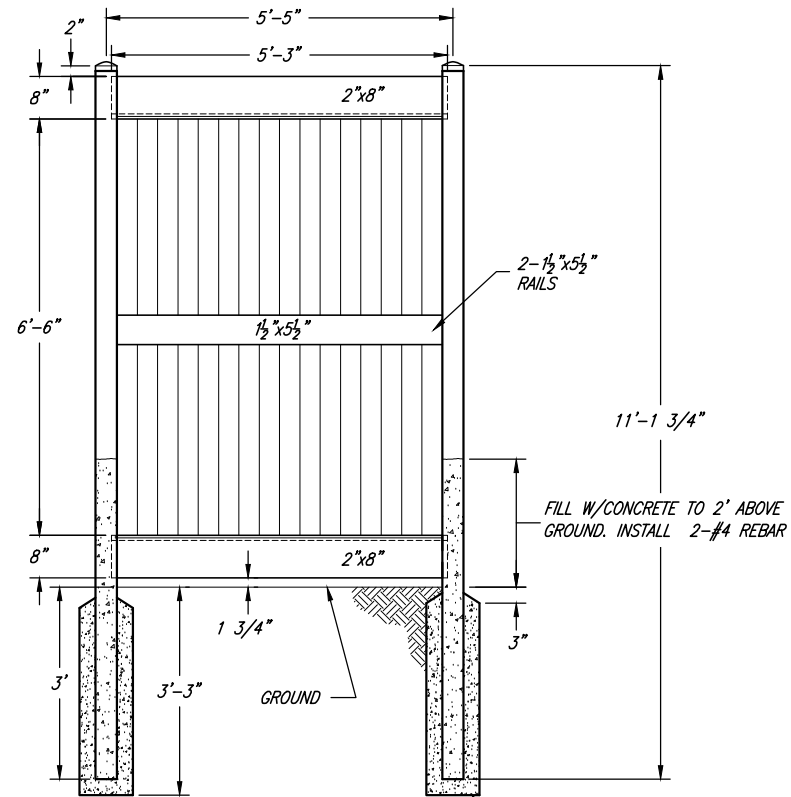
DESIGNED BEB
DRAWN BEB
CHECKED CLB



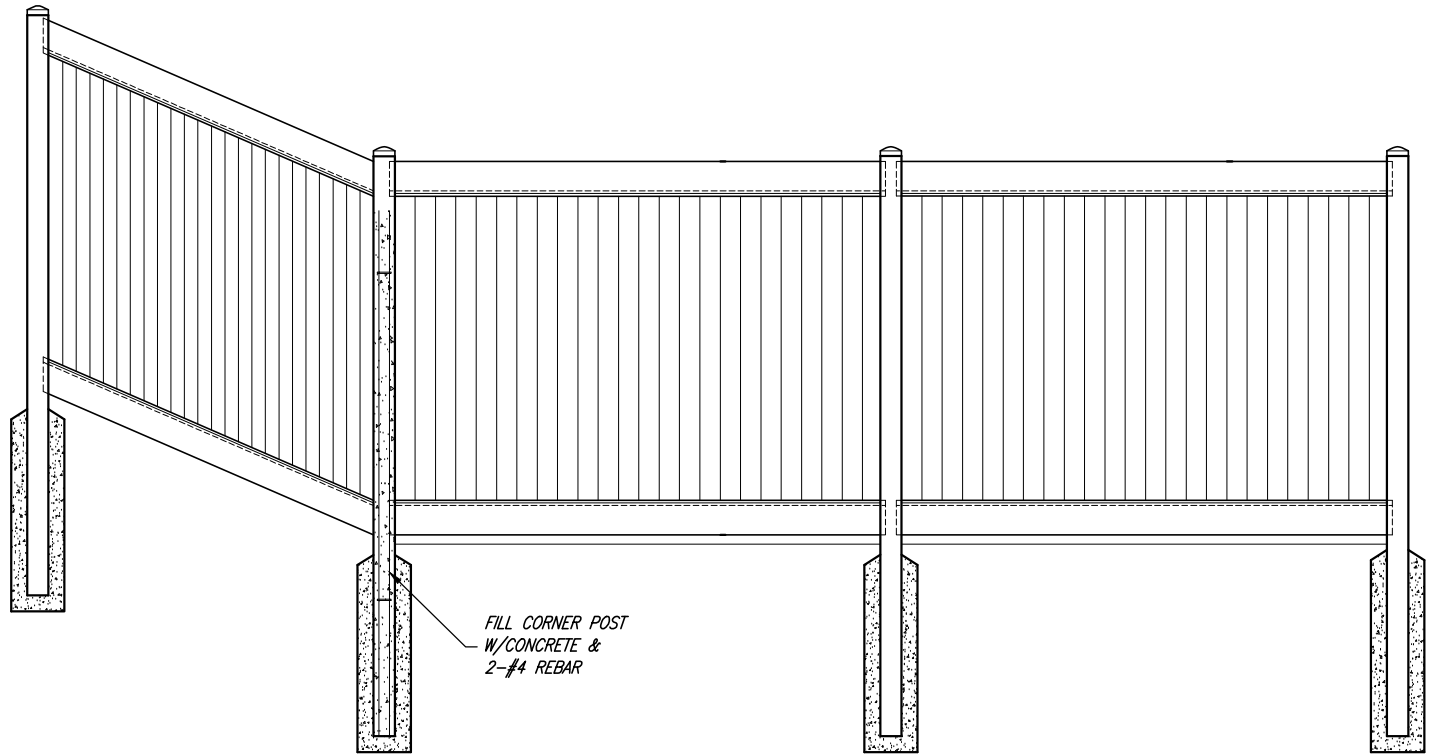
CONSULTING ENGINEERS
6080 Fashion Point Drive
South Ogden, Utah 84403 (801) 476-9767
www.jonescivil.com

TREMONTON CITY CORPORATION
PUBLIC WORKS STANDARDS
MASONRY WALL DETAILS

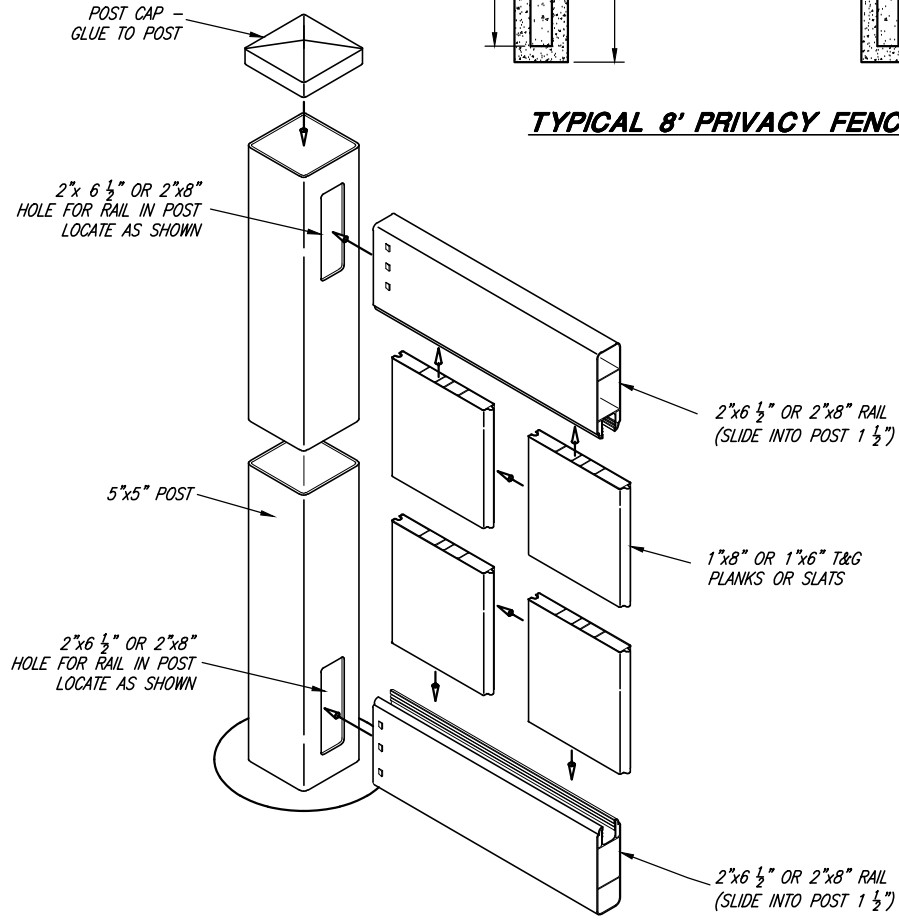
SHEET:
G3
OF 39 SHEETS
0



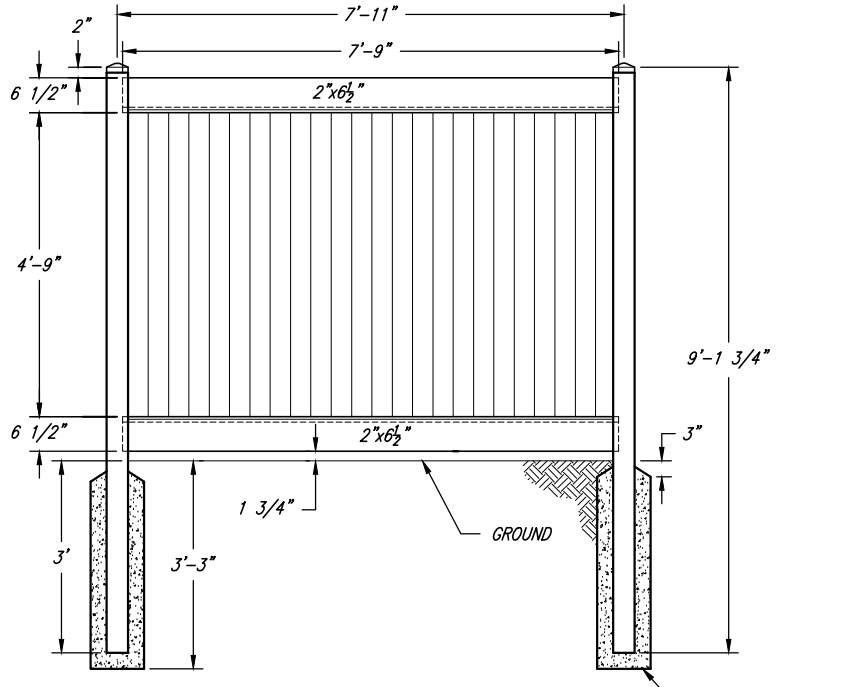
TYPICAL 8' PRIVACY FENCE



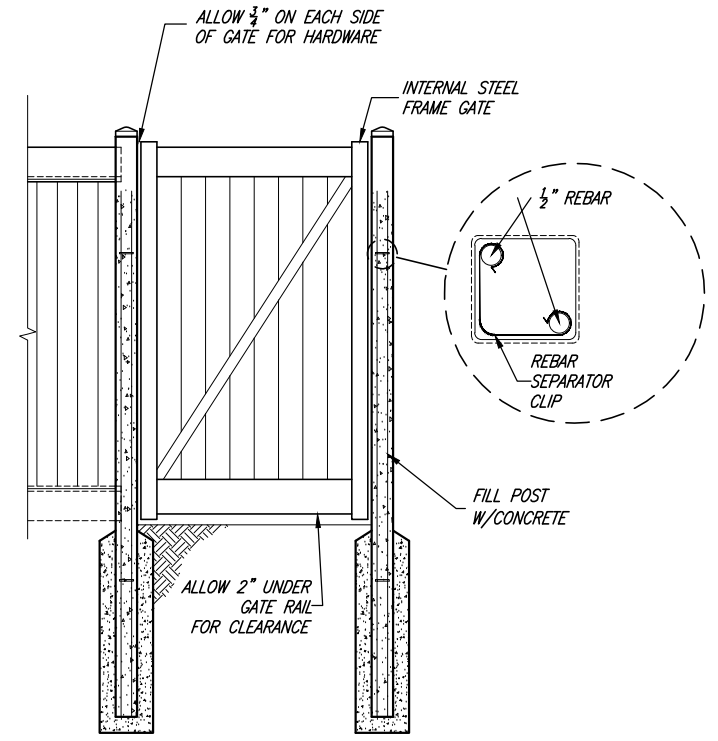
CORNER POST DETAIL



TYPICAL INSTALLATION DETAIL



TYPICAL 6' PRIVACY FENCE



TYPICAL GATE

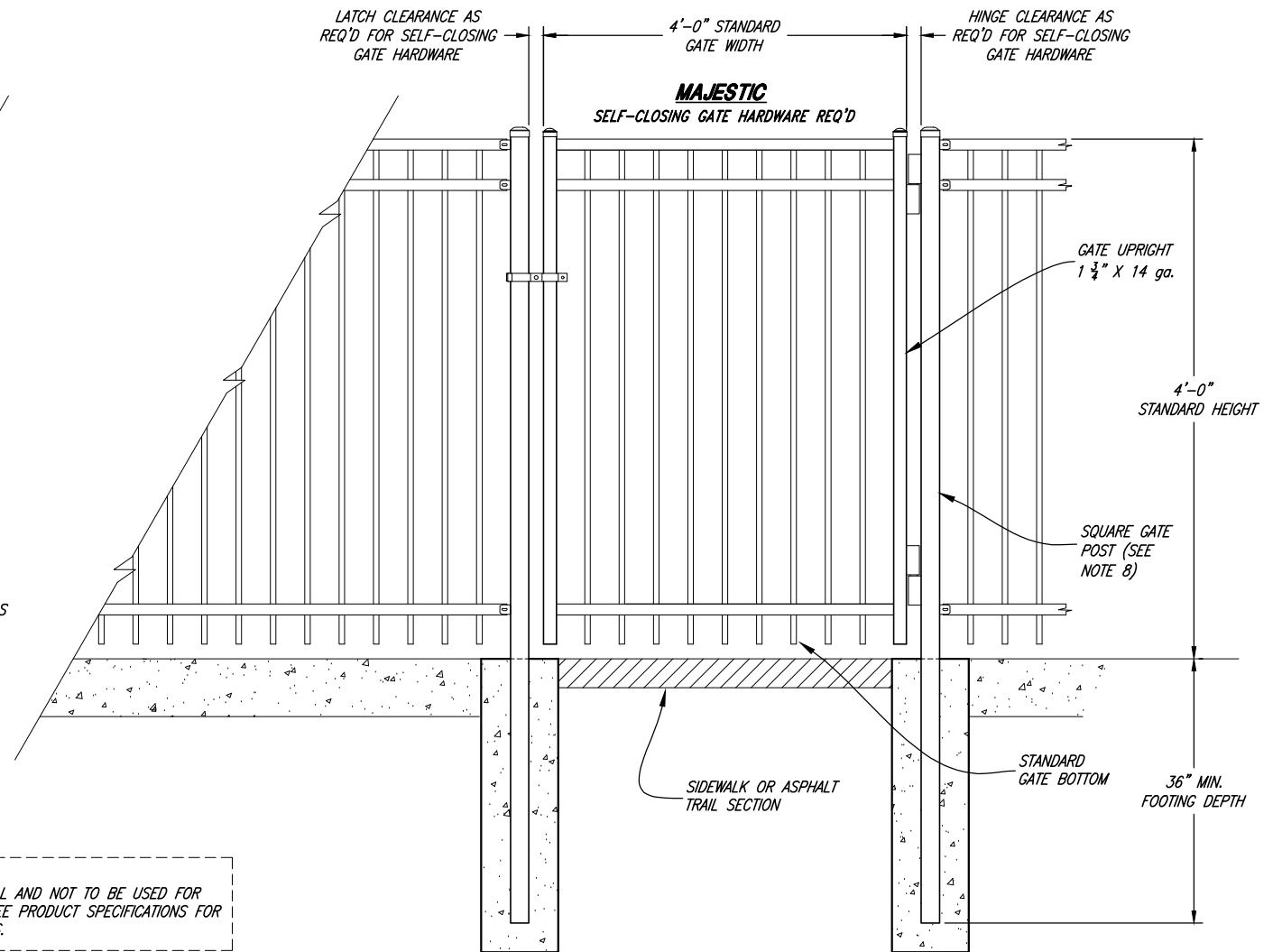
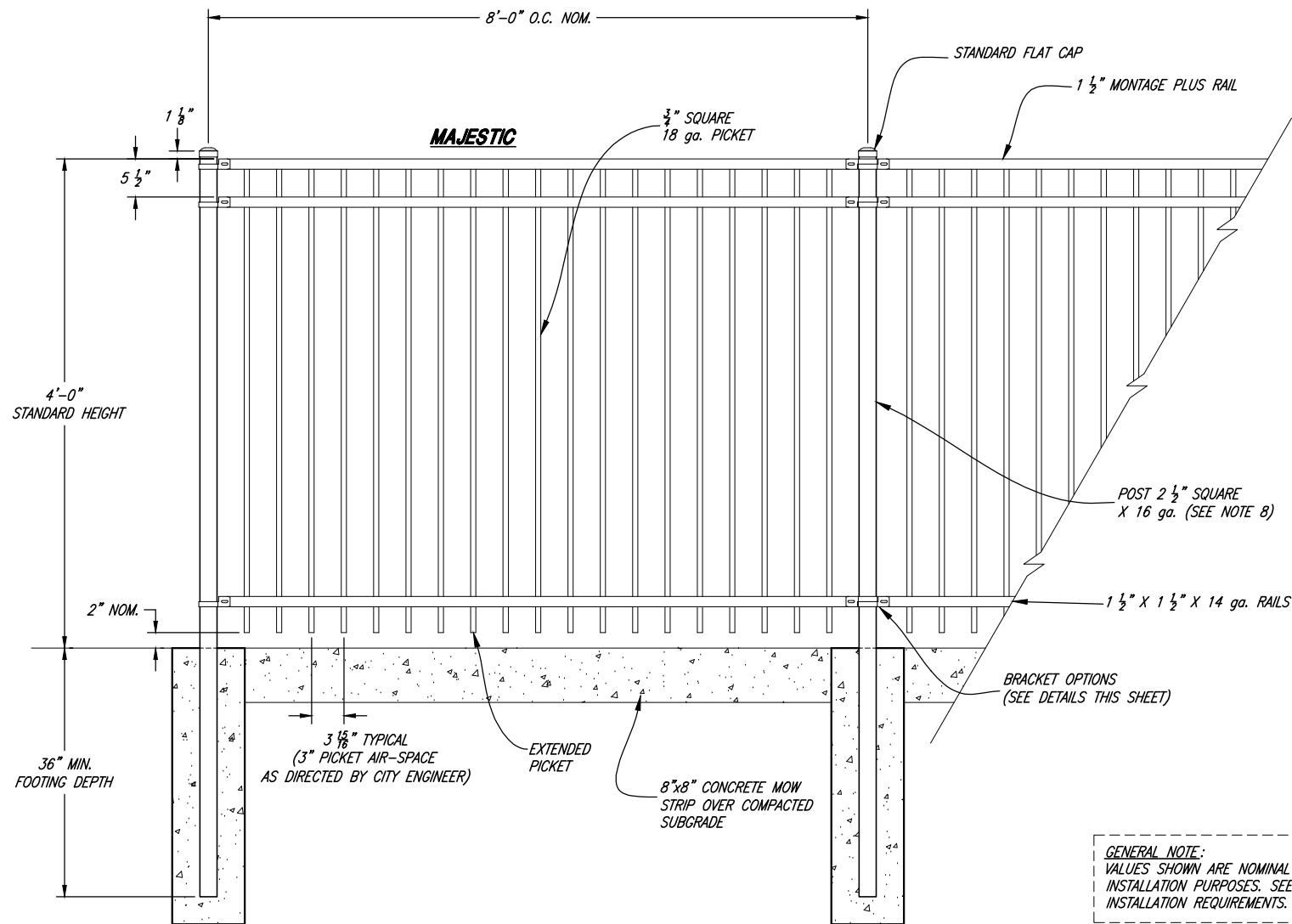


PROJECT ENGINEER <i>Chris L. Bremholt</i> DATE JANUARY 2023	REV.	DATE	APPR.

SCALE:
N.T.S.
DESIGNED BEB
DRAWN BEB
CHECKED CLB

JA JONES & ASSOCIATES
CONSULTING ENGINEERS
6080 Fashion Point Drive
South Ogden, Utah 84403 (801) 476-9767
www.jonescivil.com

TREMONTON CITY CORPORATION
PUBLIC WORKS STANDARDS
VINYL FENCE DETAILS



GENERAL NOTE:
VALUES SHOWN ARE NOMINAL AND NOT TO BE USED FOR
INSTALLATION PURPOSES. SEE PRODUCT SPECIFICATIONS FOR
INSTALLATION REQUIREMENTS.

ORNAMENTAL IRON FENCE DETAIL

"AMERISTAR" MONTAGE PLUS MAJESTIC 3-RAIL COMMERCIAL FENCE
(OR APPROVED EQUAL)

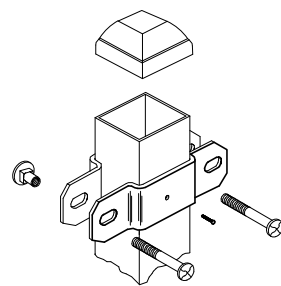
SINGLE SWING GATE

"AMERISTAR" MONTAGE PLUS MAJESTIC 3-RAIL COMMERCIAL GATE
(OR APPROVED EQUAL)

ORNAMENTAL FENCE NOTES:

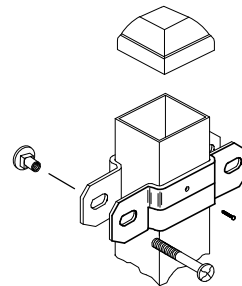
1. TO BE USED ALONG THE BOUNDARY BETWEEN TRAIL SYSTEMS AND PRIVATE LOTS OR AS DIRECTED BY THE CITY.
2. FENCE TO BE COMMERCIAL STRENGTH WELDED STEEL PANEL.
3. 3-RAIL PANEL
4. FULLY RAKEABLE PANELS (NO STAIR-STEPPING)
5. NO EXPOSED WELDS OR VISIBLE RIVETS OR SCREWS
6. GOOD NEIGHBOR PROFILE - SAME APPEARANCE ON BOTH SIDES
7. COLOR TO BE BLACK
8. POST SIZE DEPENDS ON FENCE HEIGHT AND WIND LOADS. SEE "MONTAGE PLUS" SPECIFICATIONS FOR POST SIZING CHART.

LINE BOULEVARD BRACKET



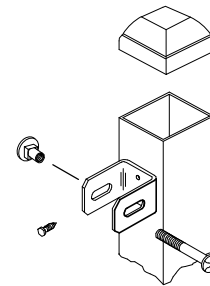
BX114

UNIVERSAL BOULEVARD BRACKET



BX112/117

FLAT MOUNT BRACKET



BX111



Chris L. Brenholt
PROJECT ENGINEER
JANUARY 2023
DATE

REV.	DATE	APPR.	DESCRIPTION
1	NOV.21	CLB	ADDED ORNAMENTAL FENCE DETAILS TO CITY STANDARDS
2	4/25/2022	BEB	ADDED MOW STRIP
3	8/26/2022	BEB	ADDED ORNAMENTAL FENCE GATE DETAIL

SCALE:
N.T.S.

DESIGNED BEB
DRAWN BEB
CHECKED CLB



CONSULTING ENGINEERS
6080 Fashion Point Drive
South Ogden, Utah 84403 (801) 476-9767
www.jonescivil.com

TREMONTON CITY CORPORATION
PUBLIC WORKS STANDARDS

ORNAMENTAL FENCE DETAILS

SHEET:
G5
OF 39 SHEETS
0

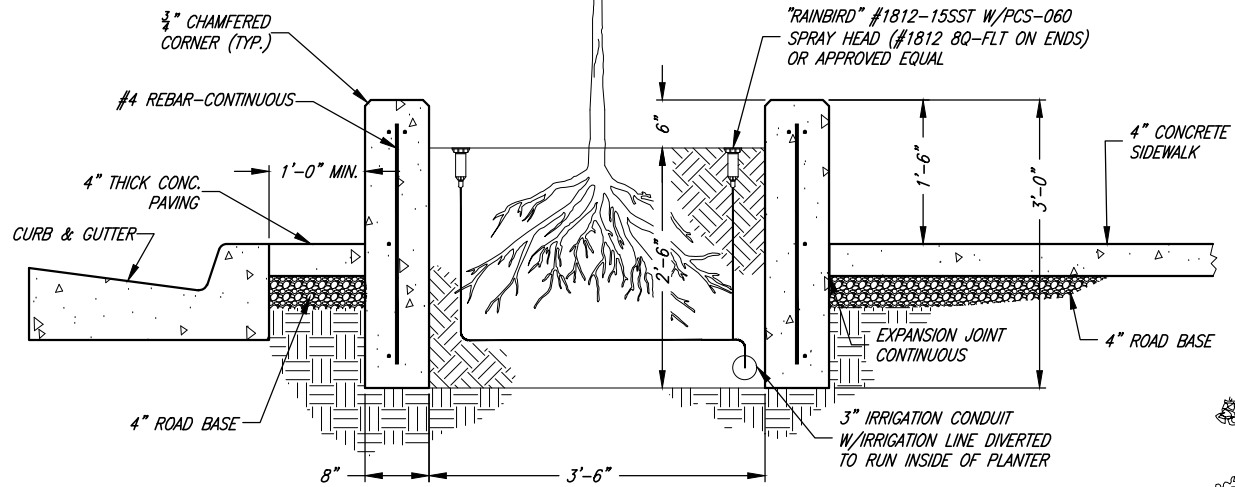
PLANTING CHART				
SIZE	MATURE HEIGHT	CURB/SIDEWALK	STREET CORNER/FH	POWER/UTILITY DISTANCE
LARGE TREES	OVER 40 FEET	4 FEET MINIMUM DISTANCE	30 FEET FROM STREET CORNER & 10 FEET FROM ANY FIRE HYDRANT	10 LATERAL FEET OF ANY OVERHEAD UTILITY WIRE & 5 LATERAL FEET OF ANY UNDERGROUND UTILITY LINE
MEDIUM TREES	25 FEET TO 40 FEET	3 FEET MINIMUM DISTANCE		
SMALL TREES	LESS THAN 25 FEET	2 FEET MINIMUM DISTANCE		

NOTES:

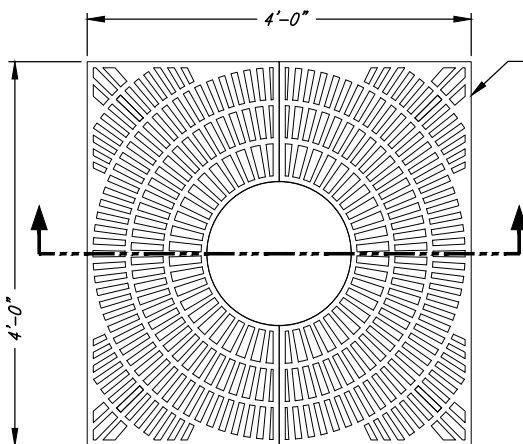
- ALL PLANTED TREES TO BE SPACED IN ACCORDANCE WITH THE SPECIES CHARACTERISTICS SUCH THAT THE TREES' CROWNS AT MATURITY WILL NOT OVERLAP WITH ANOTHER TREE NOR TOUCH OR OVERHANG A BUILDING.
- FOR ADDITIONAL HELP WITH TREE SELECTION VISIT WWW.TREEBROWSER.ORG FOR FURTHER INFORMATION ON NATIVE AND INTRODUCED TREES GROWING IN UTAH AND THE INTERMOUNTAIN WEST.



CITY APPROVED DECIDUOUS TREE: 2"-2 1/2" CALIPER (TRUNK DIAMETER MEASURED 48" FROM GROUND SURFACE)

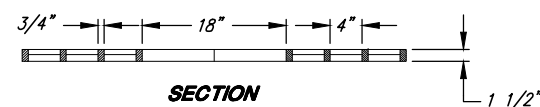


TREES IN PLANTER BOXES



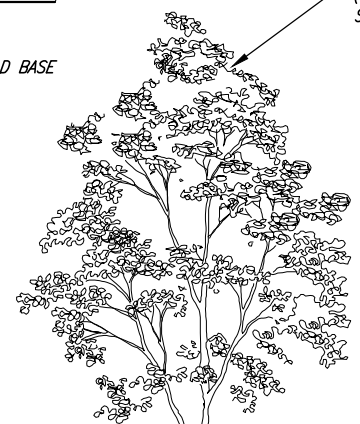
D&L SUPPLY #0-8644 TREE GRATE ASSEMBLY W/FRAME, COLOR TO BE APPROVED BY CITY PRIOR TO INSTALLATION

PLAN VIEW

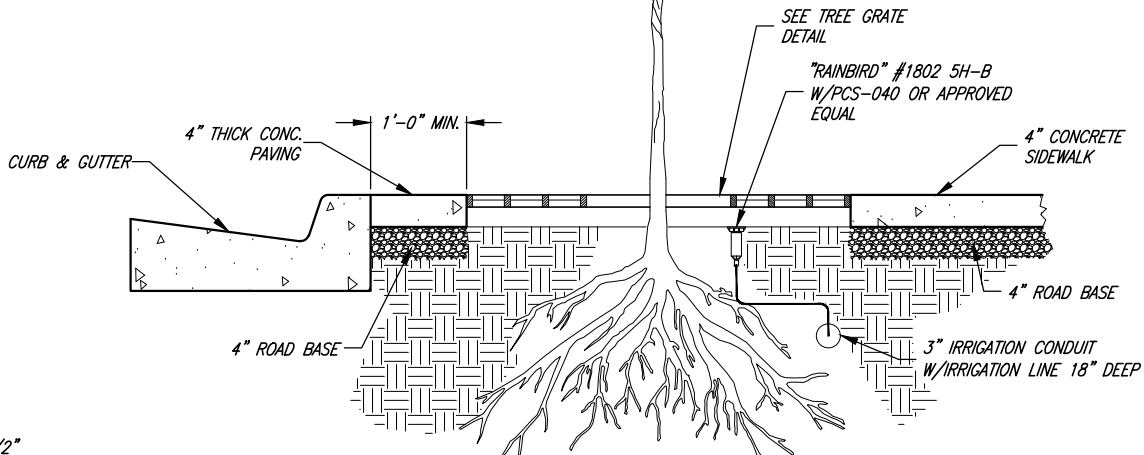


SECTION

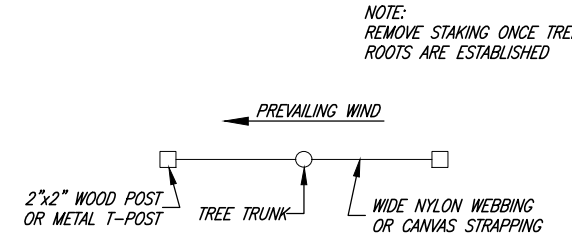
TREE GRATE DETAIL



CITY APPROVED DECIDUOUS TREE: 2"-2 1/2" CALIPER (TRUNK DIAMETER MEASURED 48" FROM GROUND SURFACE)



TREES IN CONCRETE AREAS

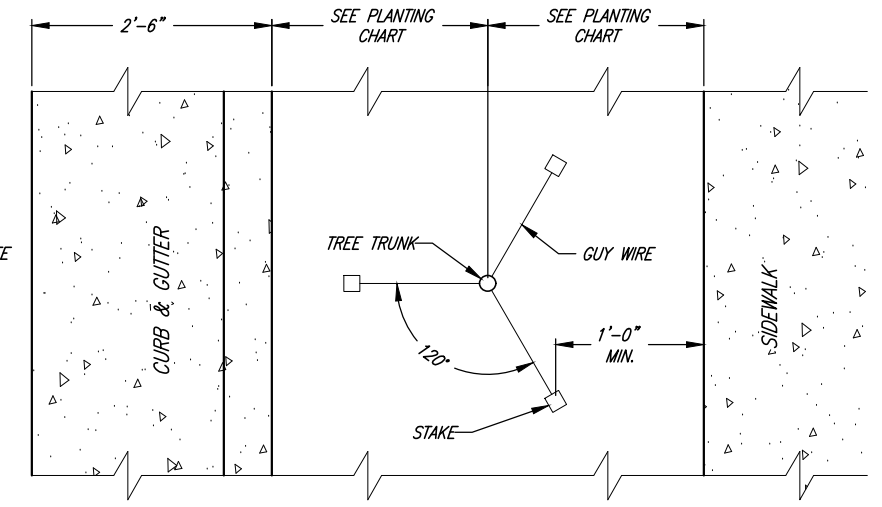


SMALL TREE STAKING (<2" CAL.)

NOTE: REMOVE STAKING ONCE TREE ROOTS ARE ESTABLISHED

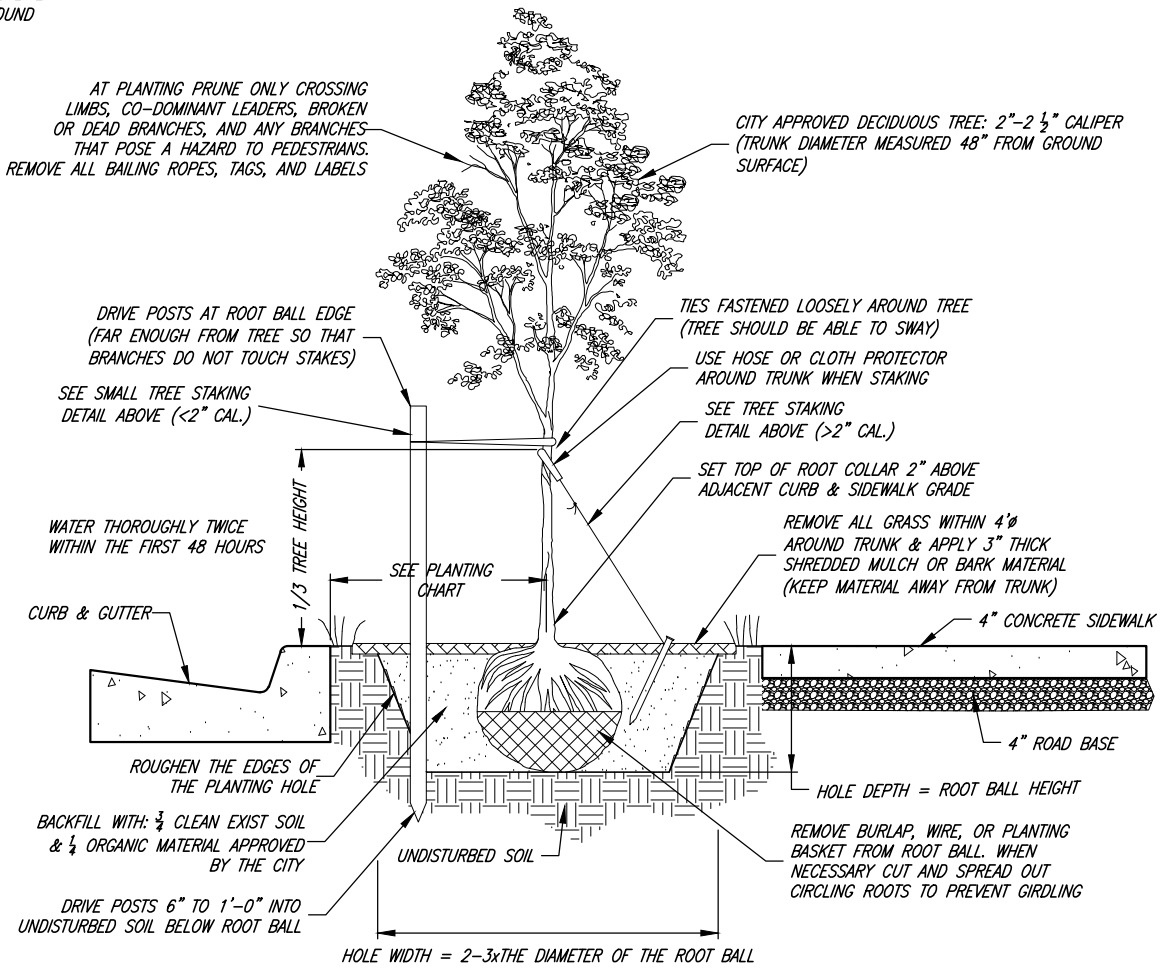
STAKING DETAILS

STAKING OPTIONAL UNLESS REQUIRED BY THE CITY INSPECTOR. STAKES OR GUYS ARE TO BE INSTALLED USING ACCEPTED ARBORICULTURE PRACTICE.



TREE STAKING (>2" CAL.)

AT PLANTING PRUNE ONLY CROSSING LIMBS, CO-DOMINANT LEADERS, BROKEN OR DEAD BRANCHES, AND ANY BRANCHES THAT POSE A HAZARD TO PEDESTRIANS. REMOVE ALL BAILING ROPES, TAGS, AND LABELS



TREES IN PARKSTRIP & PLANTING DETAIL



Chris L. Brenholt
PROJECT ENGINEER
JANUARY 2023
DATE

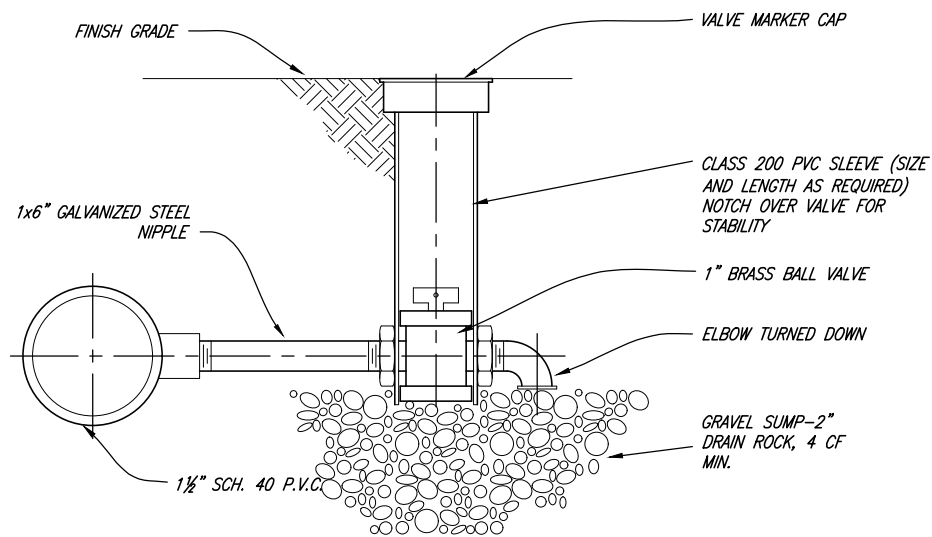
REV.	DATE	APPR.

SCALE: N.T.S.
DESIGNED: BEB
DRAWN: BEB
CHECKED: CLB

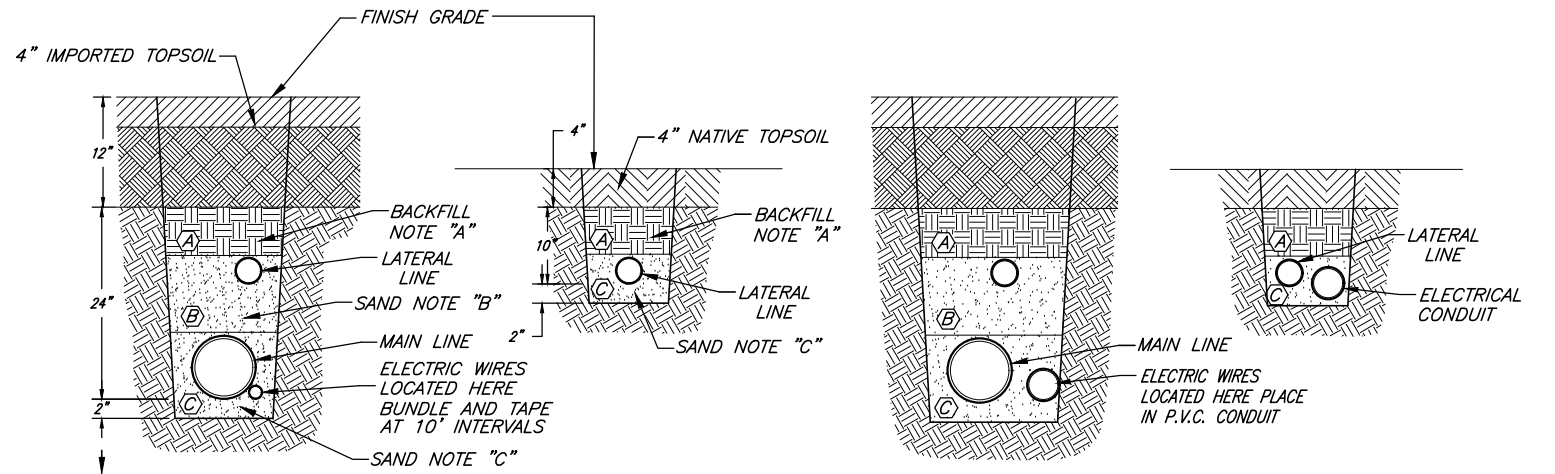
JA JONES & ASSOCIATES
CONSULTING ENGINEERS
6080 Fashion Point Drive
South Ogden, Utah 84403 (801) 476-9767
www.jonescivil.com

TREMONTON CITY CORPORATION
PUBLIC WORKS STANDARDS
TREE DETAILS

SHEET: **G6**
OF 39 SHEETS
0



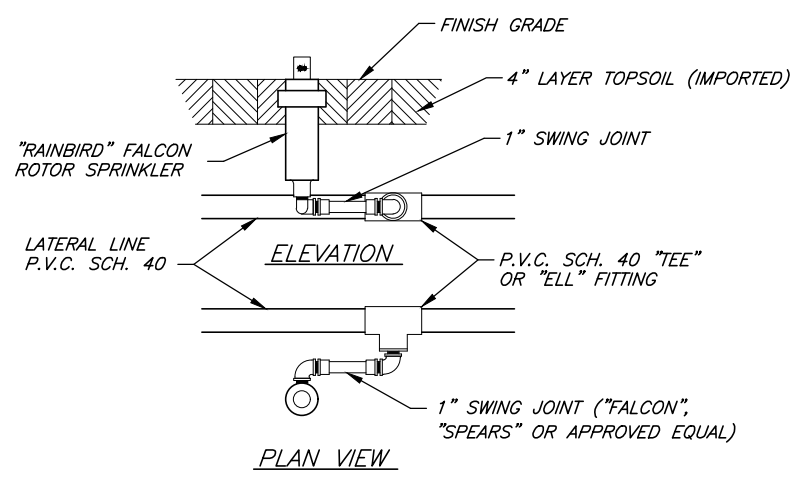
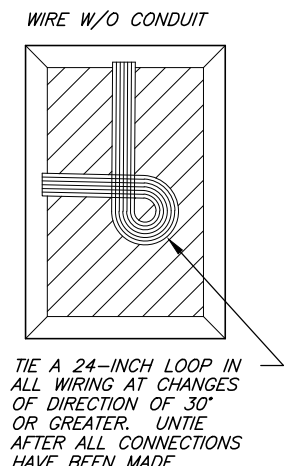
MANUAL DRAIN VALVE



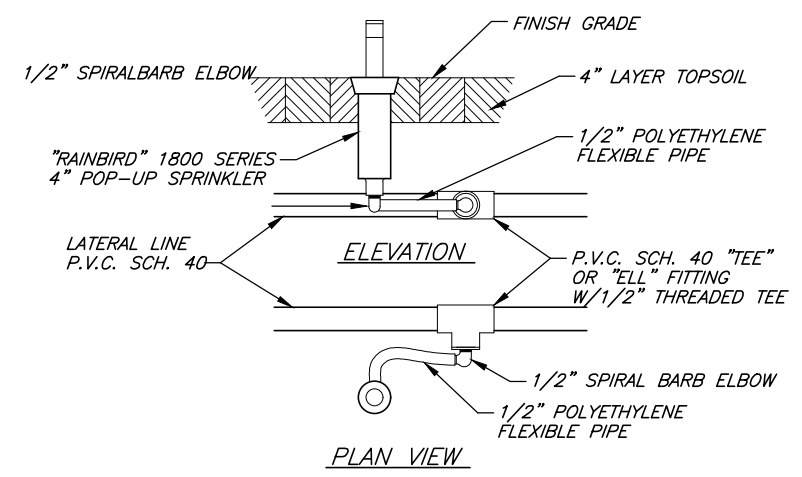
- NOTES:
- (A) USE EXCAVATED TRENCH MATERIAL NOT TO EXCEED 2" DIA. ROCKS.
 - (B) IN CASES WHERE LATERAL LINE IS INSTALLED IN MAINLINE TRENCH, USE SAND TO BACKFILL TRENCH SO THAT LATERAL LINE IS 14" BELOW FINISH GRADE & COVERED W/ SAND.
 - (C) USE SAND TO PROVIDE A 2" BED AND COVER ALL P.V.C. PIPES AND ELECTRICAL WIRES. IN CASES WHEN NATIVE MATERIAL IS NOT ACCEPTABLE AS BACKFILL.

GEN. NOTE: LOCATE ALL TRENCHES 12" AWAY FROM BUILDINGS, SIDEWALKS, OR ANY HARD SURFACE. SETTLE ALL TRENCHES W/ WATER PRIOR TO FINE GRADING AND RAKING OF TOPSOIL. MAIN LINES RUNNING IN SAME TRENCH SHOULD BE SIDE BY SIDE WITH A MINIMUM DISTANCE OF 6" APART.

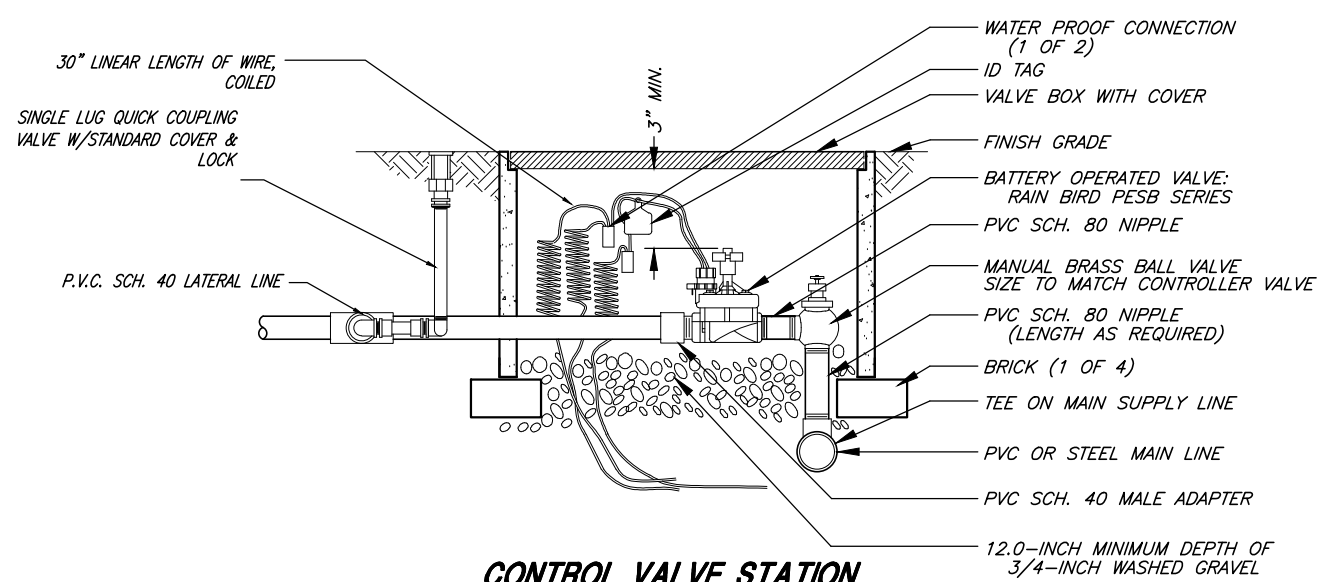
SPRINKLER TRENCH DETAIL



ROTOR HEAD CONNECTION DETAIL



1800 SERIES HEAD CONNECTION DETAIL



CONTROL VALVE STATION



Chris L. Brenholt
PROJECT ENGINEER
JANUARY 2023
DATE

REV.	DATE	APPR.

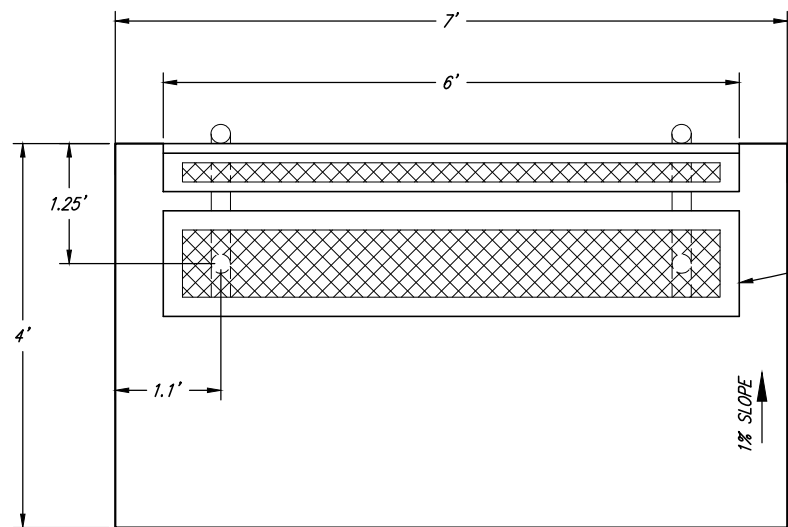
SCALE: N.T.S.
DESIGNED: BEB
DRAWN: BEB
CHECKED: CLB

JONES & ASSOCIATES
CONSULTING ENGINEERS
6080 Fashion Point Drive
South Ogden, Utah 84403 (801) 476-9767
www.jonescivil.com

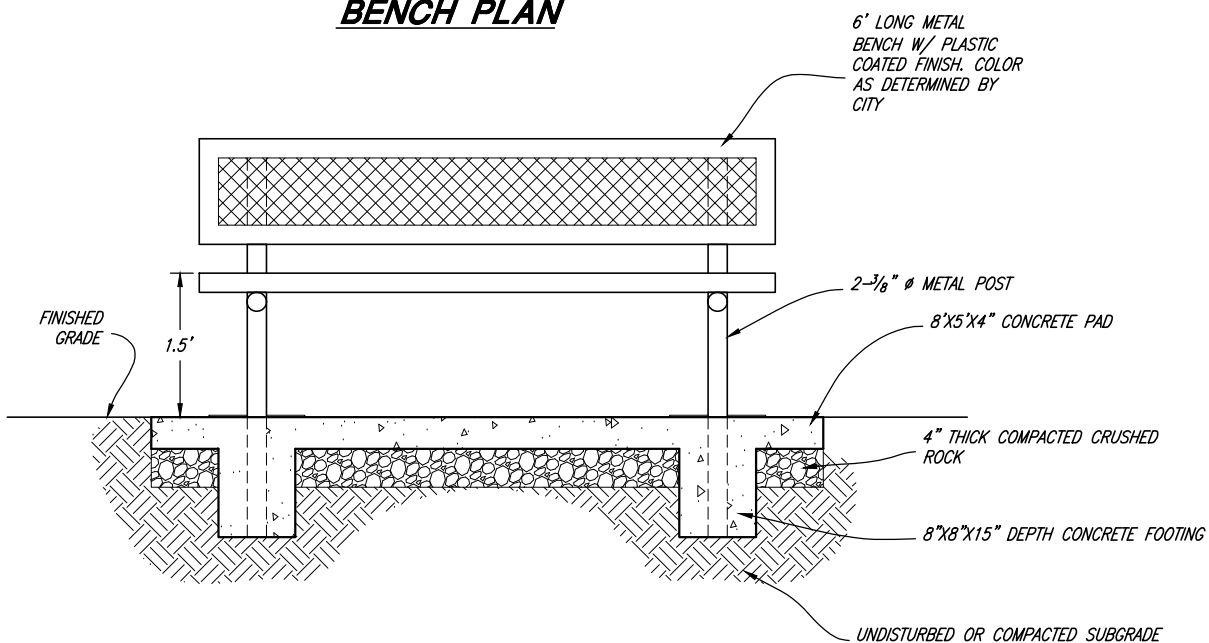
TREMONTON CITY CORPORATION
PUBLIC WORKS STANDARDS
SPRINKLER DETAILS

TRAIL NOTES:

1. TRAILS SHOULD BE DESIGNED AND CONSTRUCTED AT GRADES LESS THAN 8% GRADE TO PROMOTE ACCESSIBLE USE.
2. GRADE AVERAGES OF LESS THAN 6% WILL PROVIDE THE MOST USER FRIENDLY EXPERIENCE AND ARE PREFERRED.
3. CRUSHED STONE SURFACE SHOULD BE MADE FROM CRUSHER FINES CRUSHED INTO IRREGULAR ANGULAR PARTICLES.
4. WHERE POSSIBLE A SLIGHT MEANDERING ALIGNMENT SHOULD BE USED.
5. WHERE REQUIRED BENCHES SHOULD BE SPACED APPROXIMATELY EVERY 1/4 MILE



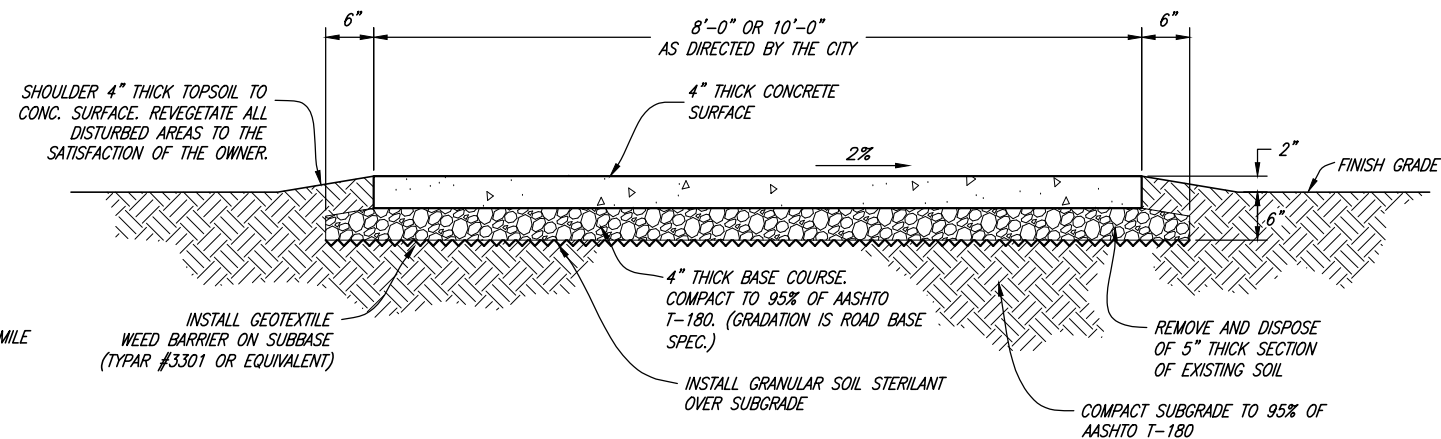
BENCH PLAN



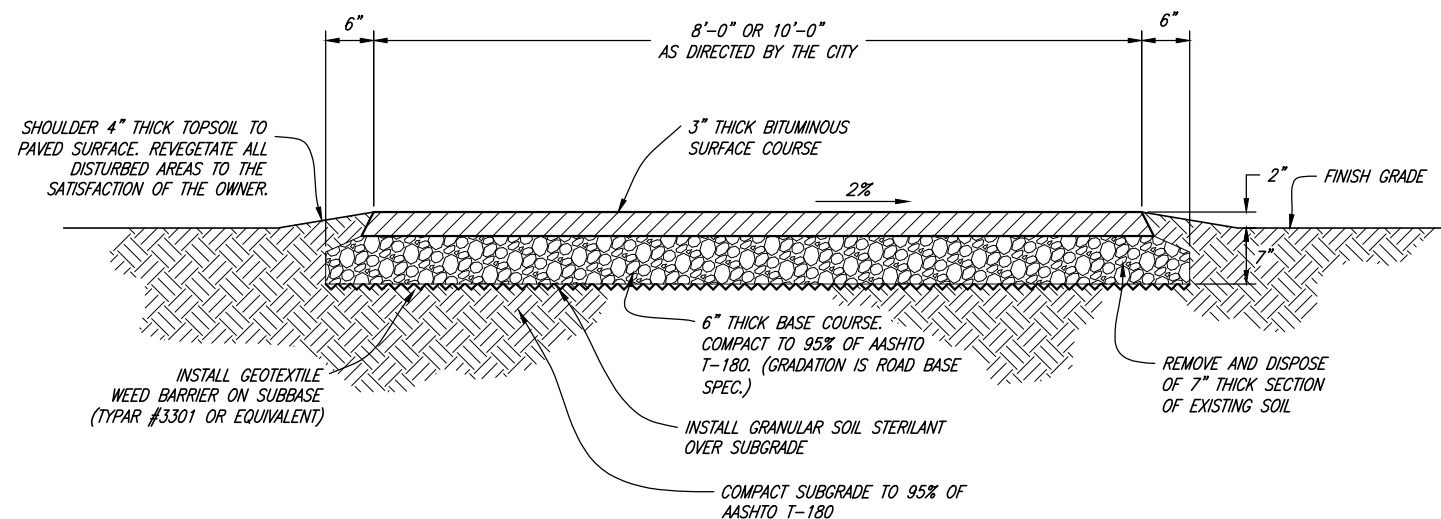
BENCH ELEVATION

CRUSHED STONE GRADATION TABLE

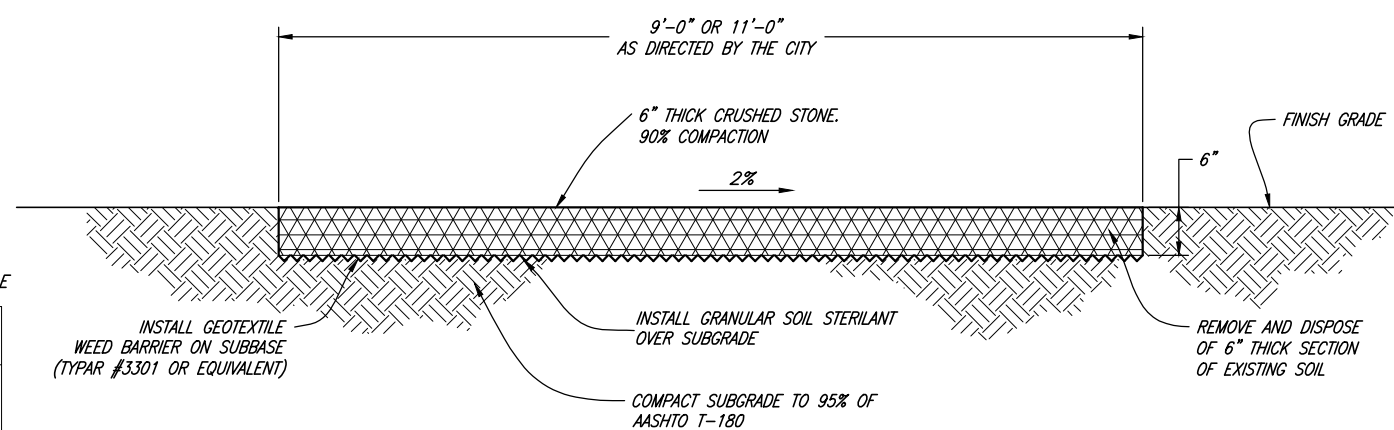
SIEVE	% PASSING
3/8"	100%
1/4"	65%
3/16"	50%
1/8"	35%
1/16"	25%



CONCRETE TRAIL CROSS SECTION



ASPHALT TRAIL CROSS SECTION



CRUSHED STONE TRAIL CROSS SECTION



Chris L. Brenholt
PROJECT ENGINEER
JANUARY 2023
DATE

REV.	DATE	APPR.	DESCRIPTION
1	OCT.22	CLB	UPDATED CONCRETE, ASPHALT, CRUSHED STONE TRAIL WIDTHS

SCALE:
N. T.S.

DESIGNED BEB
DRAWN BEB
CHECKED CLB



CONSULTING ENGINEERS
6080 Fashion Point Drive
South Ogden, Utah 84403 (801) 476-9767
www.jonescivil.com

TREMONTON CITY CORPORATION
PUBLIC WORKS STANDARDS

TRAIL DETAILS

SHEET:
G8
OF 39 SHEETS
0

CITY OWNED LIGHT POLE SPECIFICATIONS

POST DESCRIPTION
THE LIGHTING POST SHALL BE ALL ALUMINUM, ONE-PIECE CONSTRUCTION, WITH A CLASSIC TAPERED AND FLUTED BASE DESIGN.

MATERIALS
THE BASE SHALL BE HEAVY WALL, CAST ALUMINUM PRODUCED FROM CERTIFIED ASTM 356.1 INGOT PER ASTM B-179-95A OR ASTM B26-95. THE SHAFT SHALL BE EXTRUDED FROM ALUMINUM, ASTM 6061 ALLOY, HEAT TREATED TO A T6 TEMPER. ALL HARDWARE SHALL BE TAMPER RESISTANT STAINLESS STEEL. ANCHOR BOLTS TO BE COMPLETELY HOT DIP GALVANIZED.

CONSTRUCTION
THE SHAFT SHALL BE DOUBLE WELDED TO THE BASE CASTING AND SHIPPED AS ONE PIECE FOR MAXIMUM STRUCTURAL INTEGRITY. THE SHAFT SHALL BE WELDED INSIDE THE BASE CASTING AT THE TOP OF THE ACCESS DOOR, AND EXTERNALLY WHERE THE SHAFT EXITS THE BASE. ALL WELDING SHALL BE ANS/AWS

FINISH
THE ENTIRE ASSEMBLY SHALL BE ANODIZED AND THEN RECEIVE A STANDARD BLACK HOLOPHANE POWDER COAT FINISH OVER THE ANODIZED MATERIAL.

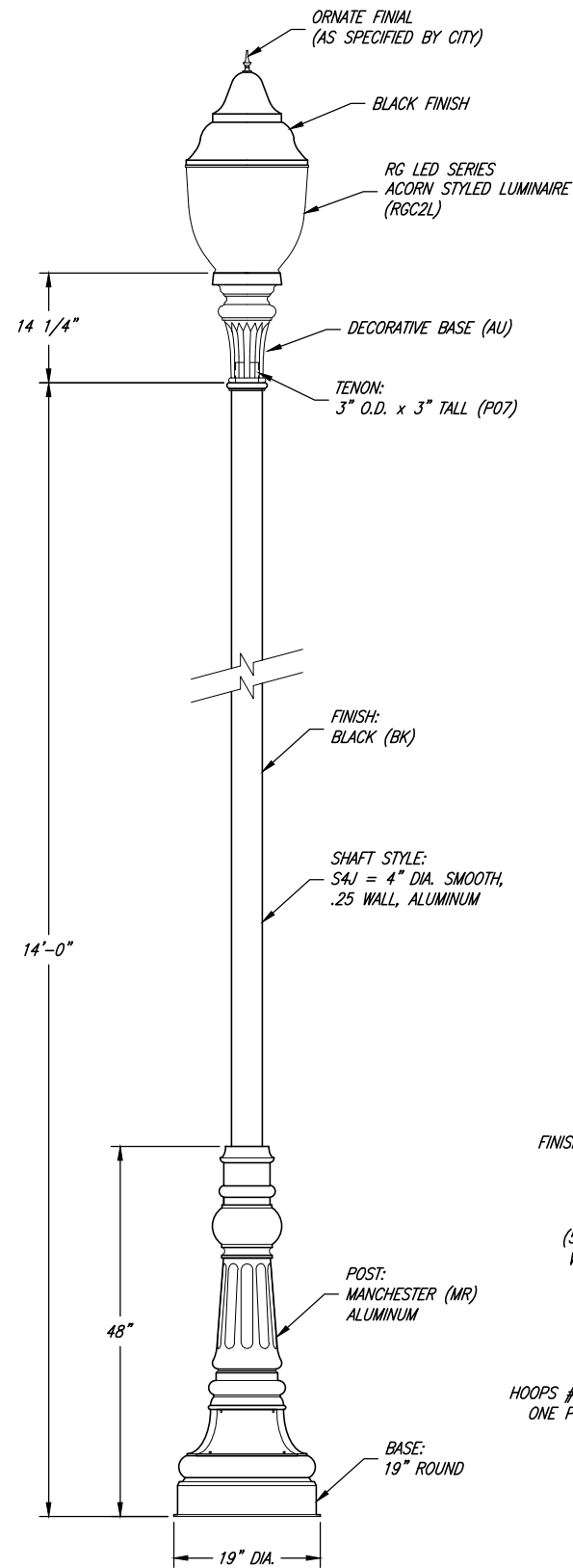
DIMENSIONS
THE POST SHALL BE 14'-0" IN HEIGHT WITH A 19" DIAMETER BASE. THE SHAFT DIAMETER SHALL BE 4". AT THE TOP OF THE POST, AN INTEGRAL 3" O.D. x 3" TALL TENON WITH A TRANSITIONAL DONUT SHALL BE PROVIDED FOR LUMINAIRE MOUNTING. A HAND HOLE SHALL BE PROVIDED FOR ACCESS.

DELIVERY/INSTALLATION
THE POLE WITH ITS BASE AND GLOBE SHALL BE ALL ONE COMPLETE UNIT WHEN DELIVERED ON-SITE. THE POST SHALL BE PROVIDED WITH FOUR, HOT DIP GALVANIZED L-TYPE ANCHOR BOLTS TO BE INSTALLED ON A 14" DIAMETER BOLT CIRCLE. A DOOR SHALL BE PROVIDED IN THE BASE FOR ANCHORAGE AND WIRING ACCESS. A GROUNDING SCREW SHALL BE PROVIDED INSIDE THE BASE OPPOSITE THE DOOR.

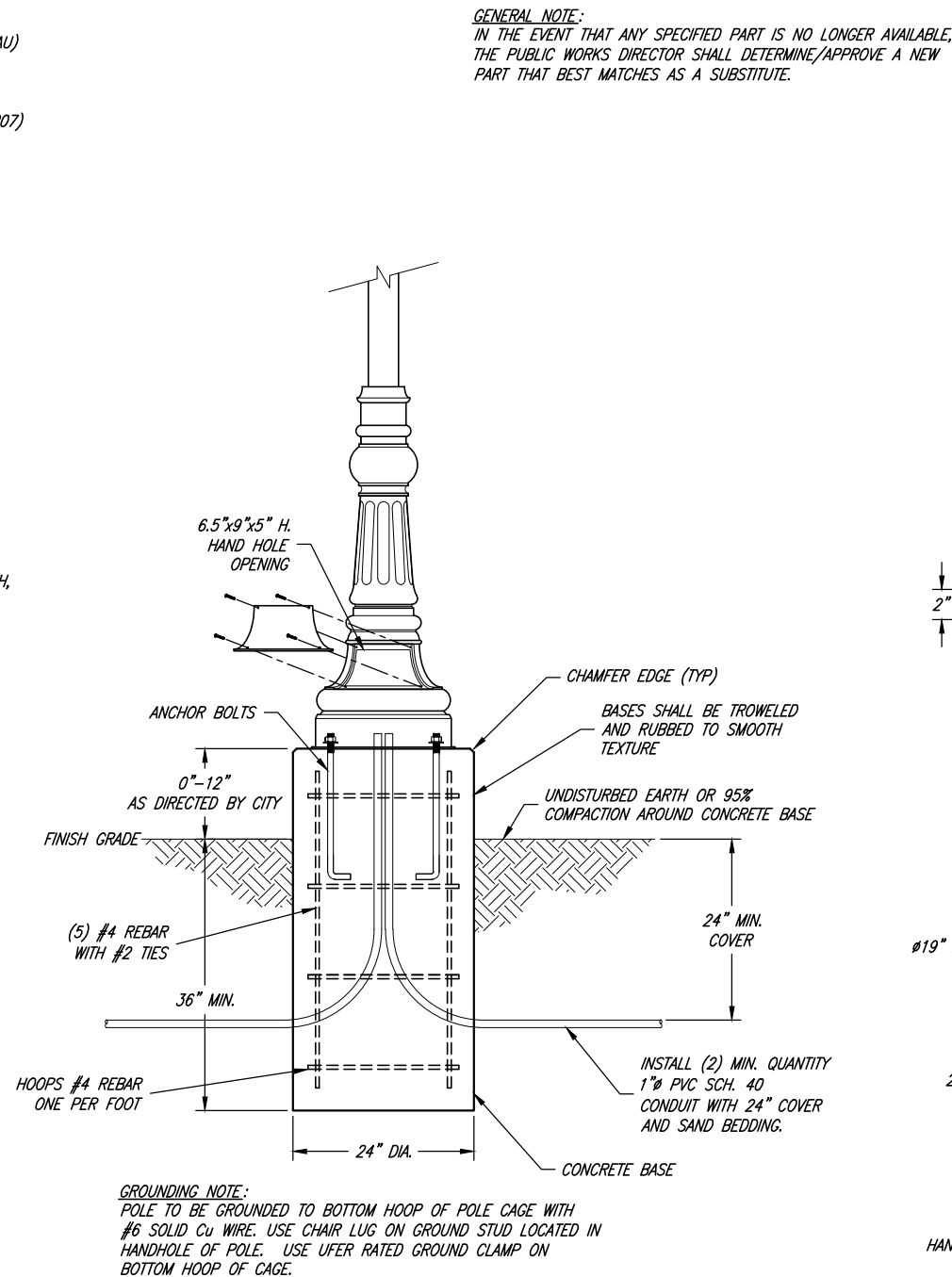
- LUMINAIRE**
- "ANTIQUE STREET LAMPS" RG LED SERIES - CURVED METAL TOP ACORN STYLED LUMINAIRE
 - INJECTION MOLDED, REFRACTIVE, CLEAR ACRYLIC OR POLYCARBONATE BASE
 - BLACK POWDER COAT FINISH
 - 3" O.D. x 3" TALL TENON REQUIRED FOR MOUNTING
 - STAINLESS STEEL HARDWARE
 - FINIAL: AS SPECIFIED BY THE CITY
 - WATTAGE: EQUAL TO 150 WATT
 - VOLTS: 208, 240, 277 VOLT
 - PHOTO CELL CONTROLLED

STREET LIGHT LOCATION NOTES:
STREET LIGHTS ARE TO BE PLACED EVERY 300' ALTERNATING SIDES OF THE STREET AND AT ALL INTERSECTIONS.

STREET LIGHTS POLES SHALL BE LOCATED AT ROADWAY INTERSECTIONS (NEAR FIRE HYDRANTS WHERE POSSIBLE) AND AT OTHER REQUIRED LOCATIONS PER CITY STANDARDS.



CITY OWNED LIGHT POLE

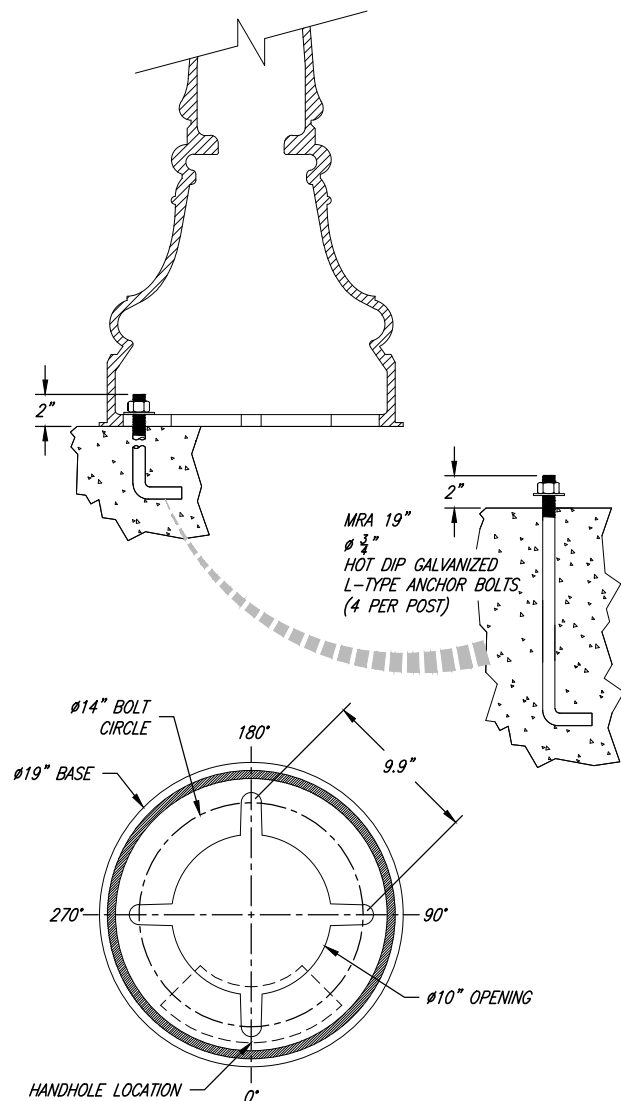


GROUNDING NOTE:
POLE TO BE GROUNDED TO BOTTOM HOOP OF POLE CAGE WITH #6 SOLID Cu WIRE. USE CHAIR LUG ON GROUND STUD LOCATED IN HANDHOLE OF POLE. USE UFER RATED GROUND CLAMP ON BOTTOM HOOP OF CAGE.

CONCRETE FOOTING DETAIL

ATTENTION
DEVELOPER/CONTRACTOR SHALL NOTIFY THE ROCKY MOUNTAIN POWER OFFICE PRIOR TO LIGHTING INSTALLATION TO ARRANGE FOR POWER TO BE PROVIDED ON SITE, AS WELL AS APPROVAL OF LIGHTING UNIT LOCATIONS AND APPROVAL OF ACTUAL COMPONENT SELECTION.
ALL FINAL WORK AND MATERIAL TO BE APPROVED BY THE CITY AND THE CITY ENGINEER.

GENERAL NOTE:
IN THE EVENT THAT ANY SPECIFIED PART IS NO LONGER AVAILABLE, THE PUBLIC WORKS DIRECTOR SHALL DETERMINE/APPROVE A NEW PART THAT BEST MATCHES AS A SUBSTITUTE.



ANCHORAGE DETAIL



Chris L. Brenholt
PROJECT ENGINEER
JANUARY 2023
DATE

REV.	DATE	APPR.

SCALE:
N.T.S.

DESIGNED BEB
DRAWN BEB
CHECKED CLB

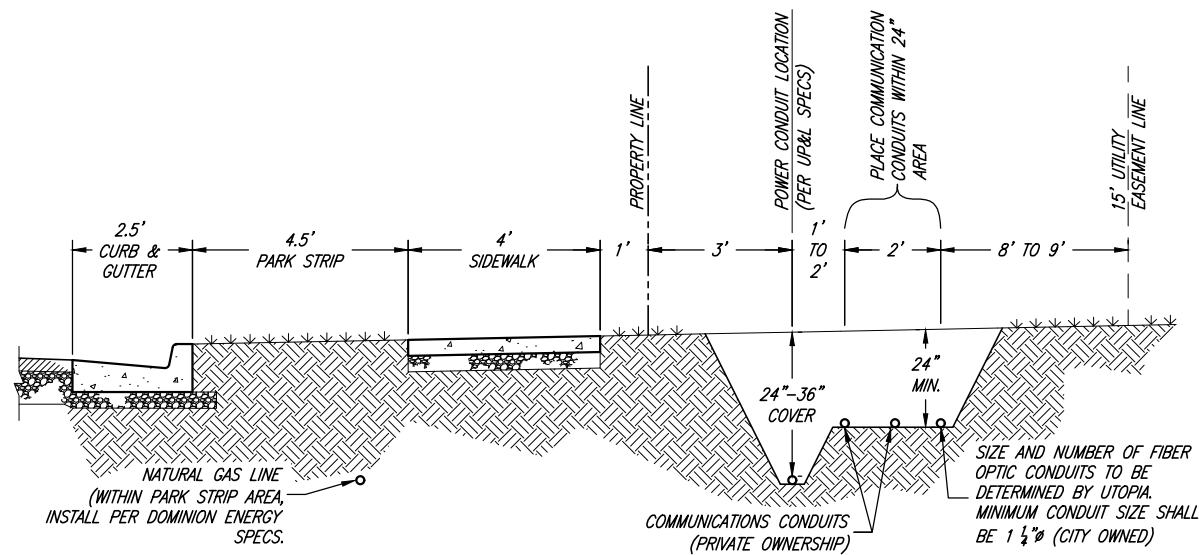


CONSULTING ENGINEERS
6080 Fashion Point Drive
South Ogden, Utah 84403 (801) 476-9767
www.jonescivil.com

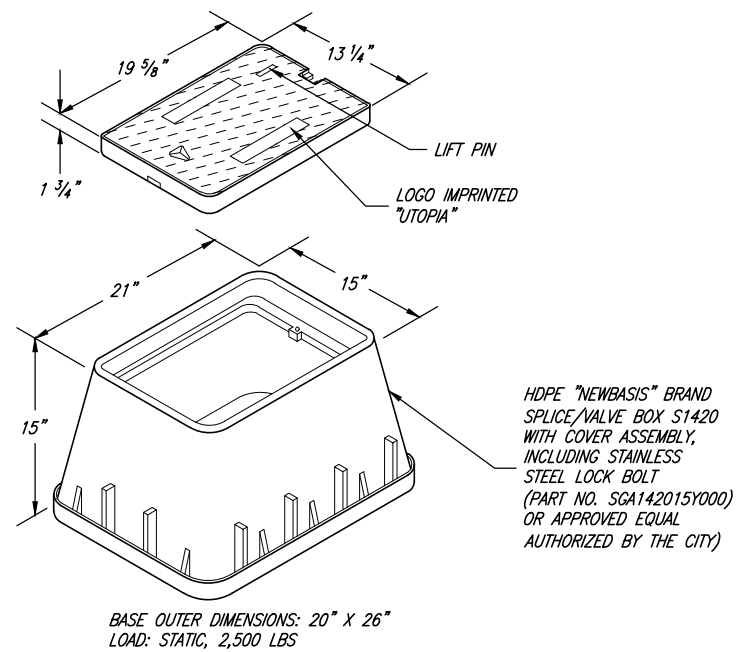
TREMONTON CITY CORPORATION
PUBLIC WORKS STANDARDS

CITY OWNED STREET LIGHT DETAILS

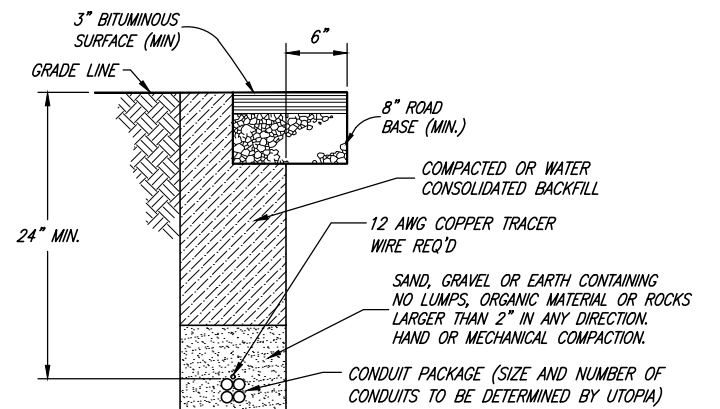
SHEET:
G9
OF 39 SHEETS
0



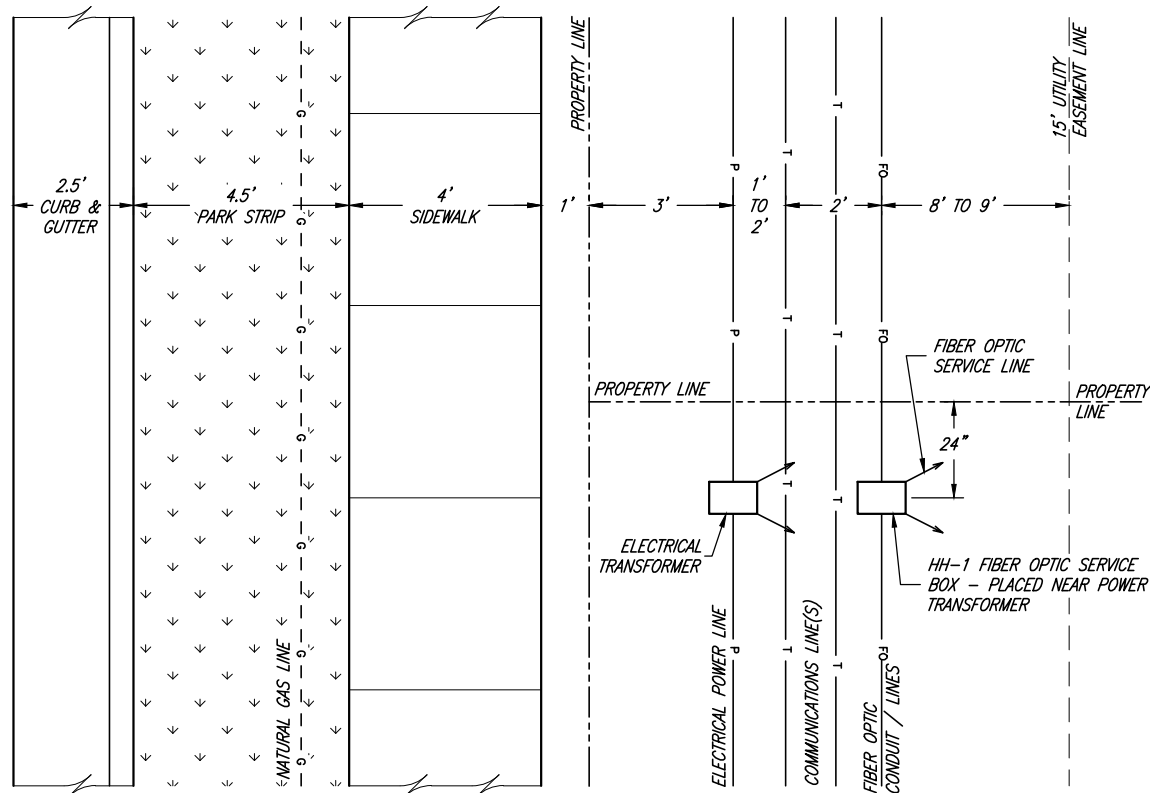
TYPICAL NEW UTILITY LOCATION TRENCH SECTION



HH-1 FIBER OPTIC SERVICE BOX

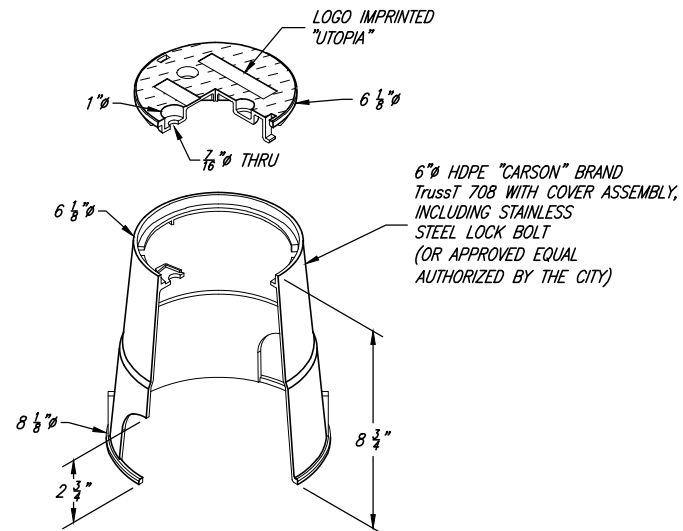


TYPICAL FIBER OPTIC TRENCH

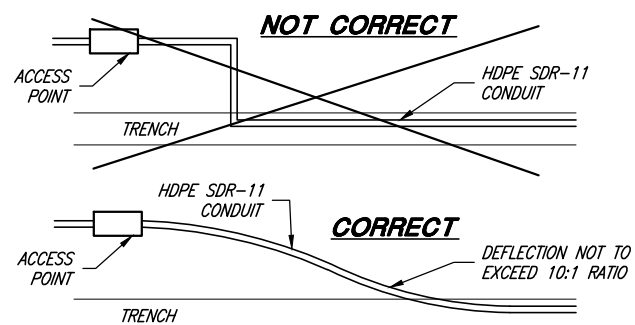


TYPICAL FIBER OPTIC LINE LOCATION DETAIL

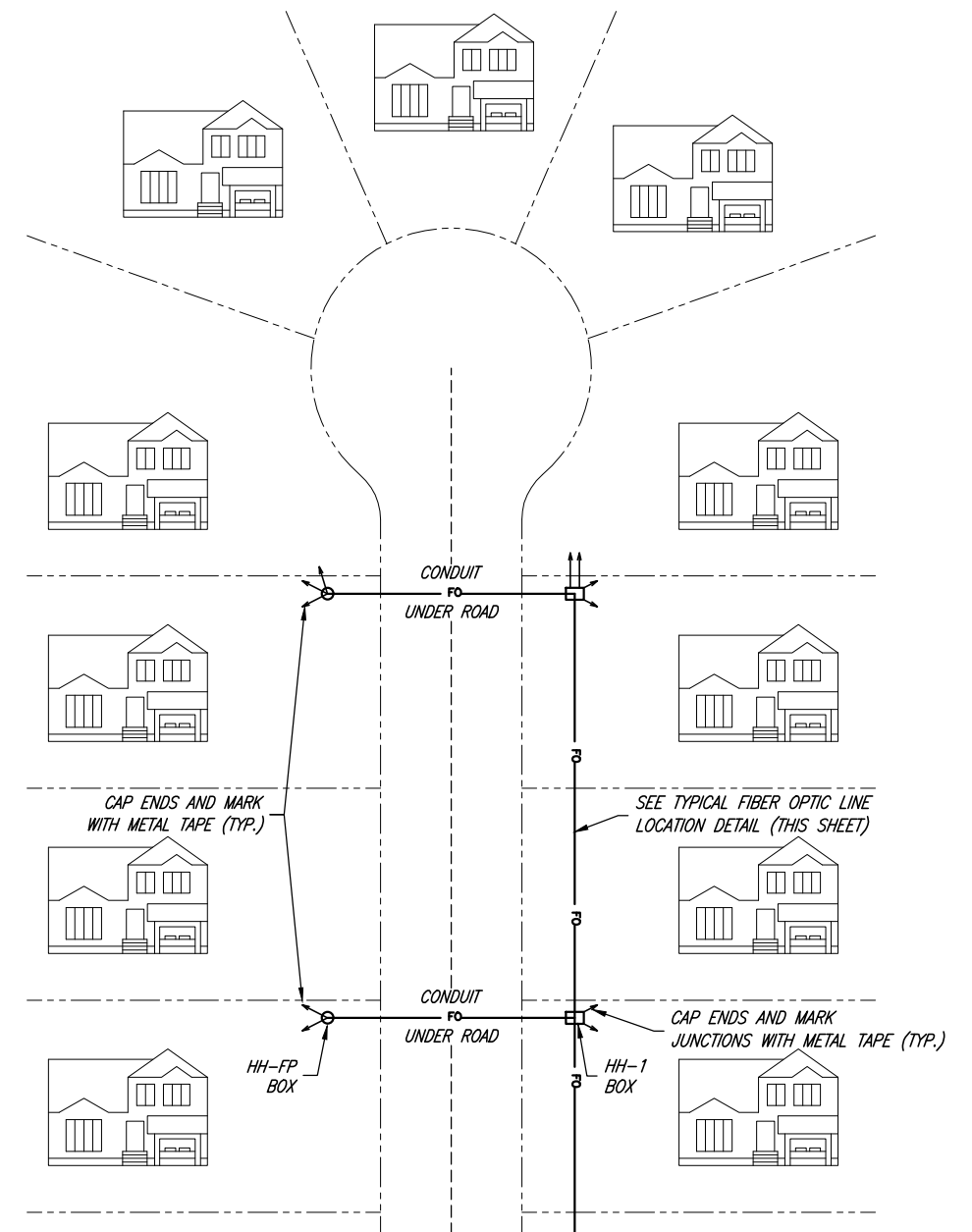
GENERAL NOTE:
FIBER OPTIC SERVICE BOXES SHALL NOT BE INSTALLED IN SIDEWALK OR DRIVEWAY AREAS.



HH-FP FIBER OPTIC SERVICE BOX



CONDUIT BENDS



TYPICAL STREET LAYOUT FOR CONDUIT PLACEMENT



Chris L. Bumbolt
PROJECT ENGINEER
JANUARY 2023
DATE

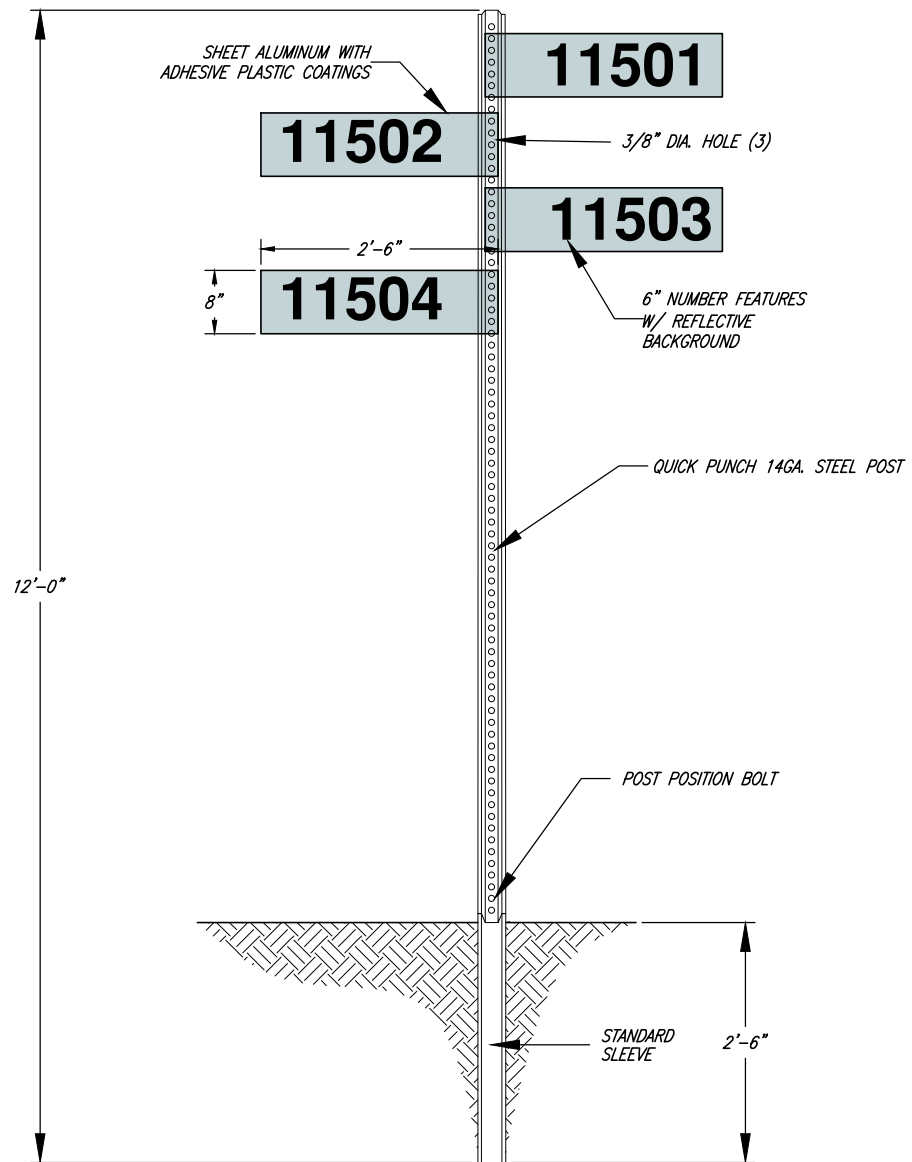
REV.	DATE	APPR.

SCALE:
N. T. S.
DESIGNED: BEB
DRAWN: BEB
CHECKED: CLB

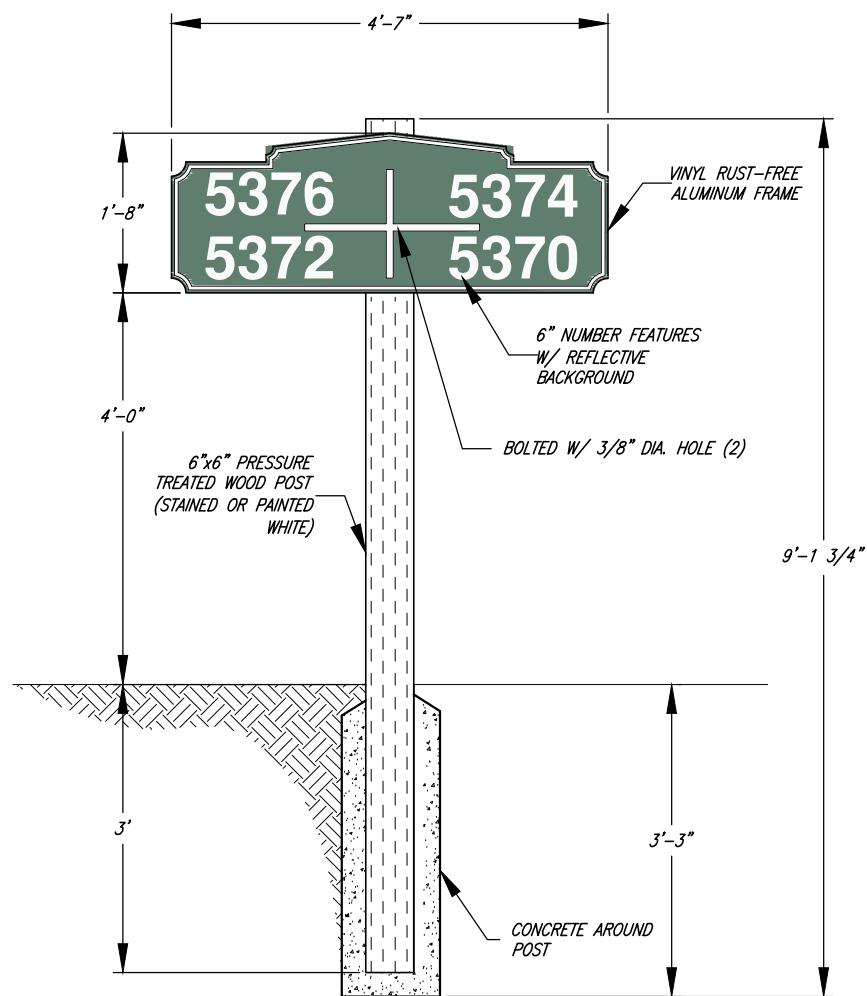
JA JONES & ASSOCIATES
CONSULTING ENGINEERS
6080 Fashion Point Drive
South Ogden, Utah 84403 (801) 476-9767
www.jonescivil.com

TREMONTON CITY CORPORATION
PUBLIC WORKS STANDARDS
STANDARD FIBER OPTIC COMMUNICATION LINE DETAILS

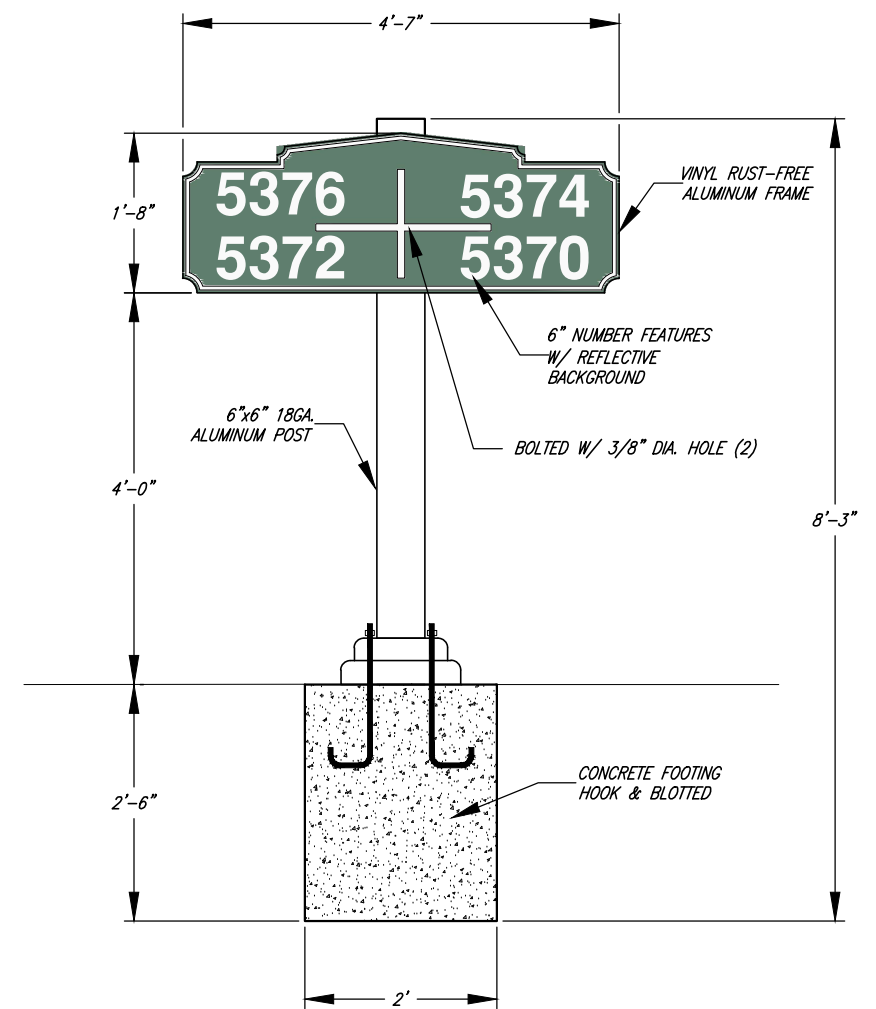
SHEET:
G10
OF 39 SHEETS
0



**FLAG LOT SIGN & POST
OFFSET PLATE**



**FLAG LOT SIGN & POST
GROUP PLATE**



**FLAG LOT SIGN & POST
GROUP PLATE**



Chris L. Brenholt
PROJECT ENGINEER
JANUARY 2023
DATE

REV.	DATE	APPR.

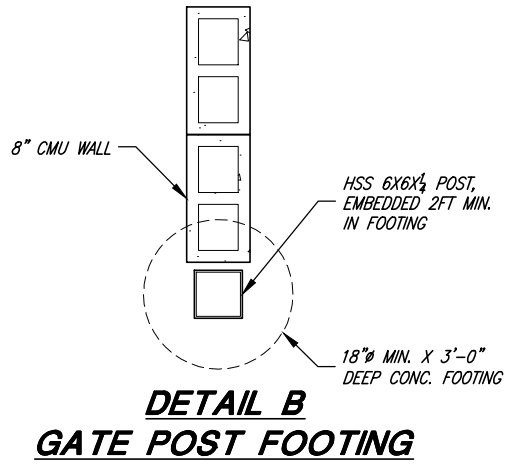
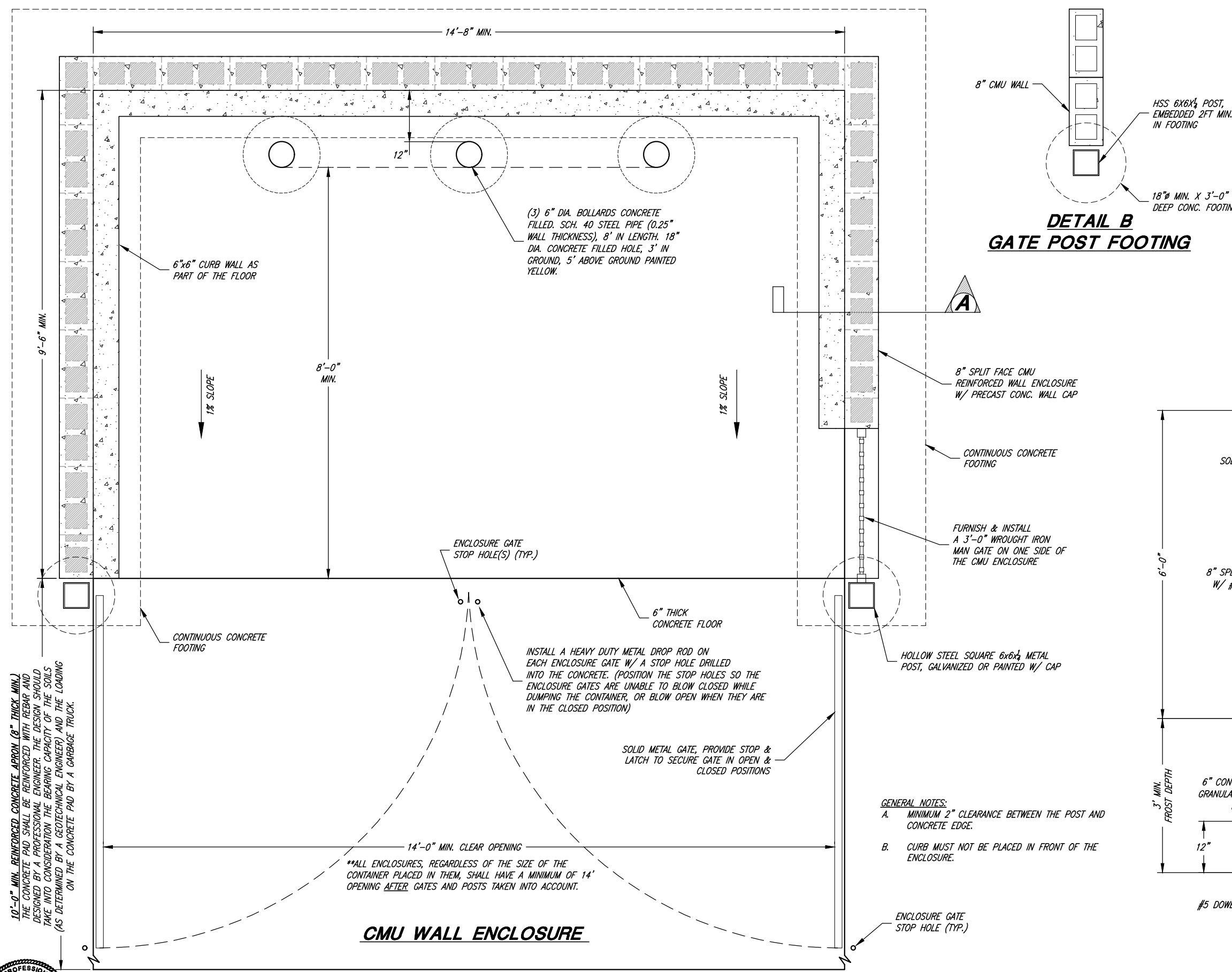
SCALE:
N.T.S.
DESIGNED BEB
DRAWN BEB
CHECKED CLB



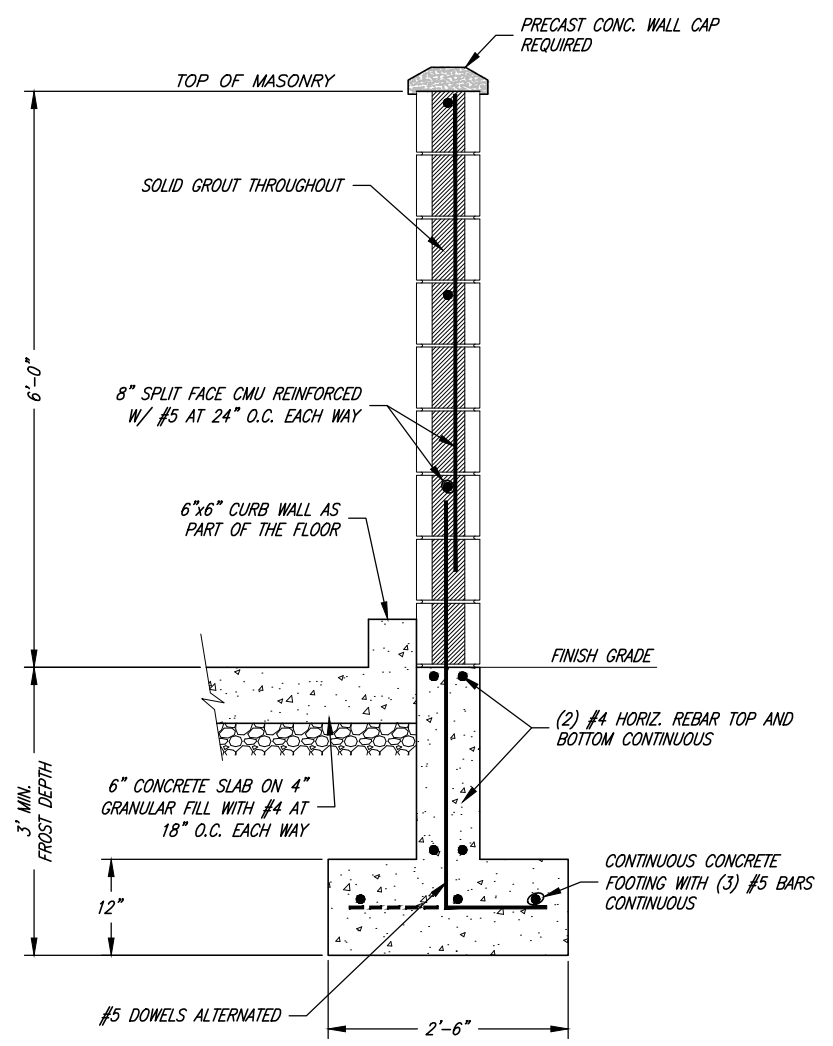
CONSULTING ENGINEERS
6080 Fashion Point Drive
South Ogden, Utah 84403 (801) 476-9767
www.jonescivil.com

TREMONTON CITY CORPORATION
PUBLIC WORKS STANDARDS
FLAG LOT SIGN DETAILS

SHEET:
G11
OF 39 SHEETS
0



- CONCRETE NOTES:**
- ALL CONCRETE SHALL HAVE A MINIMUM 28 DAY COMPRESSIVE STRENGTH OF 4,500 PSI, A MAXIMUM WATER/CEMENT RATIO OF 0.45, A MAXIMUM 4" SLUMP, W/ 6% AIR ENTRAINMENT ($\pm 1.5\%$)
 - FOOTINGS SHALL BE PLACED ON UNDISTURBED NATURAL SOIL OR COMPACTED STRUCTURAL FILL.
- MASONRY NOTES:**
- MASONRY UNIT BLOCK SHALL HAVE A MINIMUM COMPRESSIVE STRENGTH OF 1,900 PSI AND CONFORM TO ASTM C90.
 - MORTAR SHALL CONFORM TO ASTM C270, TYPE M(2,500 PSI) OR TYPES (1,800 PSI).
 - MASONRY GROUT SHALL HAVE A MINIMUM COMPRESSIVE STRENGTH OF 2,000 PSI AND CONFORM TO ASTM C476 FOR FINE OR COARSE GROUT.
 - MASONRY WALLS SHALL HAVE A VERTICAL REINFORCING BAR AT EACH CORNER AND END WALL.
 - LAP HORIZONTAL REINFORCING BARS AT CORNER W/ 30"x30" 'L' DOWEL.
- STEEL NOTES:**
- ALL REINFORCING STEEL SHALL CONSIST OF #5 BARS AND CONFORM TO ASTM A615 GRADE 60.
 - REINFORCING BARS SHALL NOT BE WELDED.



DETAIL A
TYPICAL WALL SECTION

- GENERAL NOTES:**
- MINIMUM 2" CLEARANCE BETWEEN THE POST AND CONCRETE EDGE.
 - CURB MUST NOT BE PLACED IN FRONT OF THE ENCLOSURE.

CMU WALL ENCLOSURE



Chris L. Remolt
PROJECT ENGINEER
JANUARY 2023
DATE

REV.	DATE	APPR.	DESCRIPTION
1	AUG.21	CLB	UPDATED ENCLOSURE OPENING MIN. DIMENSIONS AND NOTES
2	SEP.21	CLB	UPDATED ENCLOSURE CONCRETE APRON NOTE
3	4/25/2022	BEB	ADDED 3' MAN GATE AND UPDATED ENCLOSURE NOTES

SCALE:
N. T.S.

DESIGNED: BEB
DRAWN: BEB
CHECKED: CLB

JA
JONES & ASSOCIATES

CONSULTING ENGINEERS
6080 Fashion Point Drive
South Ogden, Utah 84403 (801) 476-9767
www.jonescivil.com

TREMONTON CITY CORPORATION
PUBLIC WORKS STANDARDS

DUMPSTER ENCLOSURE DETAILS